

# Panel feed-through - SACC-5P-DSI-M12MS/FS-M16



1551671

<https://www.phoenixcontact.com/pc/products/1551671>

Please be informed that the data shown in this PDF document is generated from our Online Catalog. Please find the complete data in the user documentation. Our General Terms of Use for Downloads are valid.

---

Sensor/actuator control cabinet feed-through, male to female, 5-pos., M12, shielded, A-coded, bipolar/screw mounting with M16 thread



# Panel feed-through - SACC-5P-DSI-M12MS/FS-M16



1551671

<https://www.phoenixcontact.com/pc/products/1551671>

## Commercial Data

Item number	1551671
Packing unit	1 pc
Minimum order quantity	1 pc
Note	Made to Order (non-returnable)
Product Key	ABQZCA
Catalog Page	Page 53 (C-2-2019)
GTIN	4046356156226
Weight per Piece (including packing)	41.12 g
Weight per Piece (excluding packing)	30.2 g
Customs tariff number	85366990
Country of origin	CZ

## Technical Data

### Notes

Notes on operation	<p>The electrical and mechanical data specified assume that the connector pair is correctly locked and mounted. If the connector is unlocked and if there is a danger of contamination, the connector must be sealed using a protective cap &gt; IP54. Influences arising from litz wires, cables or PCB assembly must also be taken into consideration.</p>
Safety note	<p><b>WARNING:</b> The connectors may not be plugged in or disconnected under load. Ignoring the warning or improper use may damage persons and/or property.</p> <ul style="list-style-type: none"> <li>• <b>WARNING:</b> Commission properly functioning products only. The products must be regularly inspected for damage. Decommission defective products immediately. Replace damaged products. Repairs are not possible.</li> <li>• <b>WARNING:</b> Only electrically qualified personnel may install and operate the product. They must observe the following safety notes. The qualified personnel must be familiar with the basics of electrical engineering. They must be able to recognize and prevent danger. The relevant symbol on the packaging indicates that only personnel familiar with electrical engineering are allowed to install and operate the product.</li> <li>• The products are suitable for applications in plant, controller, and electrical device engineering.</li> <li>• When operating the connectors in outdoor applications, they must be separately protected against environmental influences.</li> <li>• Assembled products may not be manipulated or improperly opened.</li> <li>• Only use mating connectors that are specified in the technical data of the standards listed (e.g. the ones listed in the product accessories online at <a href="https://www.phoenixcontact.com/products">phoenixcontact.com/products</a>).</li> <li>• When using the product in direct connection with third-party manufacturers, the user is responsible.</li> <li>• For operating voltages &gt; 50 V AC, conductive connector housings must be grounded</li> <li>• Ensure that when laying the cable, the tensile load on the connectors does not exceed the upper limit specified in the standards.</li> <li>• Observe the corresponding technical data. You will find information:             <ul style="list-style-type: none"> <li>o On the product</li> <li>o On the packing label</li> <li>o In the supplied documentation</li> <li>o Online at <a href="https://www.phoenixcontact.com/products">phoenixcontact.com/products</a> under the product</li> </ul> </li> <li>• Only use tools recommended by Phoenix Contact</li> <li>• Use a protective cap to protect connectors that are not in use. The suitable accessories are available online in the accessory section of the product at <a href="https://www.phoenixcontact.com/products">phoenixcontact.com/products</a></li> <li>• Ensure that the protective or functional ground has been properly connected.</li> </ul>

1551671

<https://www.phoenixcontact.com/pc/products/1551671>

	<ul style="list-style-type: none"> <li>• VDE 0100/1.97 § 411.1.3.2 and DIN EN 60 204/11.98 § 14.1.3 are applicable when combining several circuits in a cable and/or connector</li> <li>• The connector warms up in normal operation. Depending on the ambient conditions, the surface of the connector can continue to warm up. In this case, the user is responsible for posting warnings (e.g. DIN EN ISO 13732-1:2008-12).</li> </ul>
--	---

## Product properties

Product type	Circular connectors (device side)
Number of positions	5
Coding	A - standard

## Insulation characteristics

Overvoltage category	II
Degree of pollution	2

## Ambient conditions

Degree of protection	IP67
Degree of protection	IP65/IP67
Ambient temperature (operation)	-25 °C ... 85 °C (Plug / socket)
	-40 °C ... 85 °C (without mechanical actuation)

## Connector

Insertion/withdrawal cycles	> 100
-----------------------------	-------

### Header 1

Head design	Plug
Head cable outlet	straight
Head thread type	M12
Coding	A-coded

### Header 2

Head design	Socket
Head cable outlet	straight
Head thread type	M12
Coding	A-coded

## Electrical properties

Rated surge voltage	1.5 kV
Contact resistance	≤ 3 mΩ
Insulation resistance	≥ 100 MΩ
Nominal voltage $U_N$	60 V
Nominal current $I_N$	4 A

## Material specifications

Flammability rating according to UL 94	HB
--	----

# Panel feed-through - SACC-5P-DSI-M12MS/FS-M16



1551671

<https://www.phoenixcontact.com/pc/products/1551671>

Sealing material	FKM
Contact material	CuZn
Contact surface material	Au
Contact carrier material	PA 6.6
Cable gland material	Nickel-plated brass

## Mounting

Mounting type	Bipolar/screw mounting
---------------	------------------------

## Standards and regulations

### M12

Standards/specifications	IEC 61076-2-101
--------------------------	-----------------

## Cable / line

### Cable structure

Signal type/category	Universal
----------------------	-----------

# Panel feed-through - SACC-5P-DSI-M12MS/FS-M16

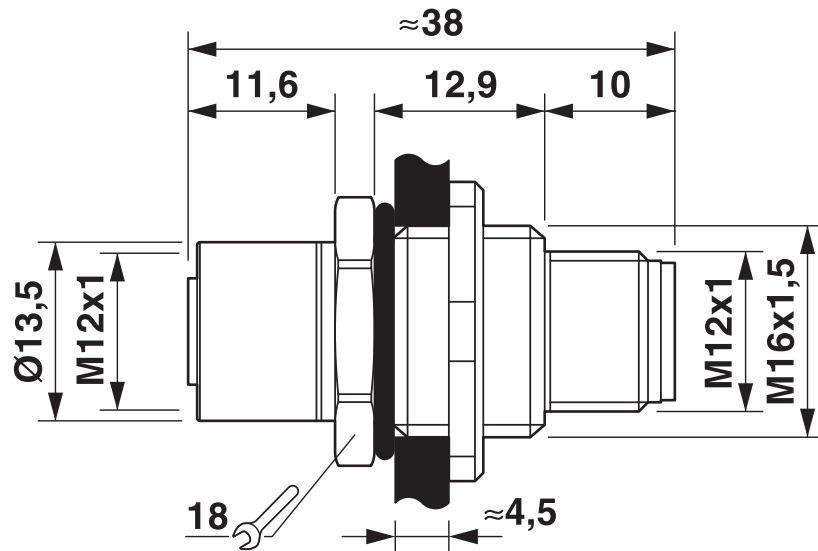


1551671

<https://www.phoenixcontact.com/pc/products/1551671>

## Drawings

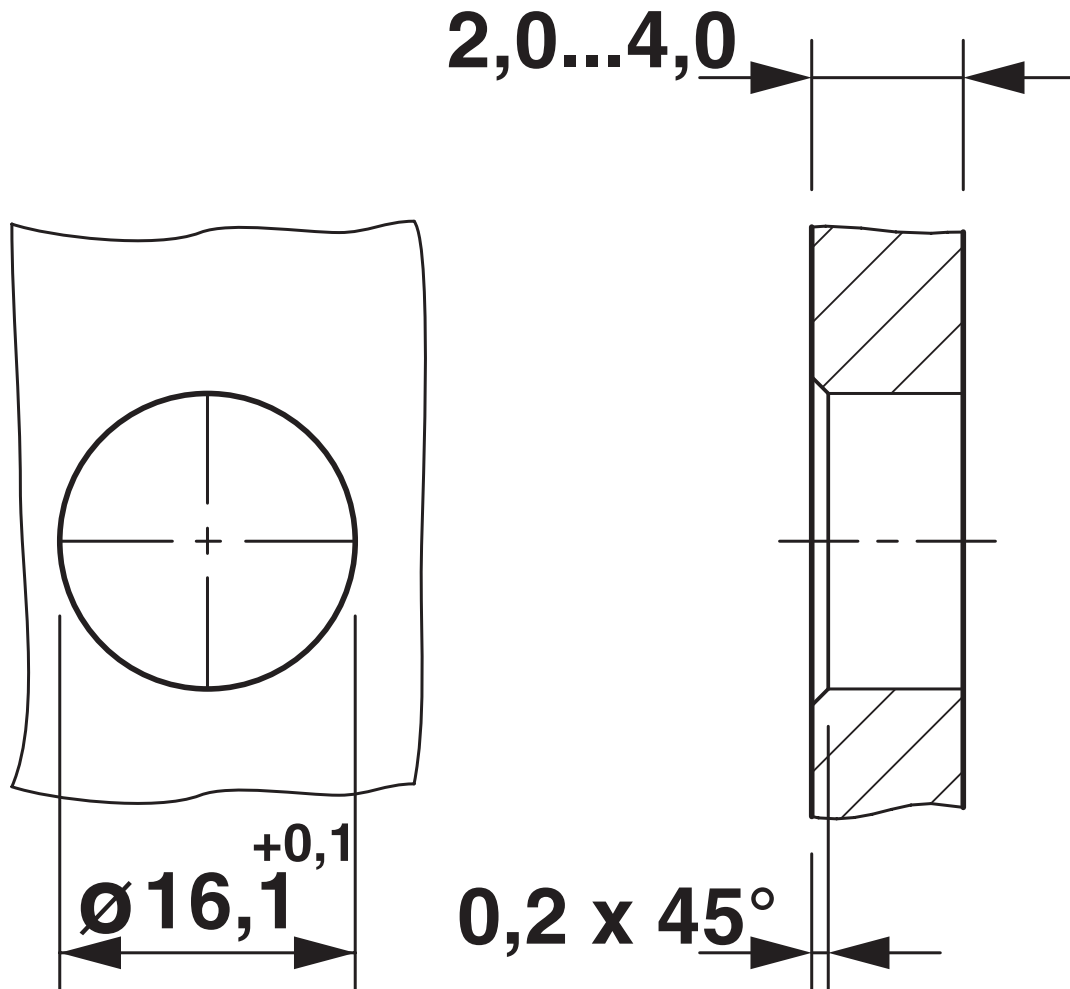
Dimensional drawing



1551671

<https://www.phoenixcontact.com/pc/products/1551671>

Dimensional drawing



Mounting cutout

1551671

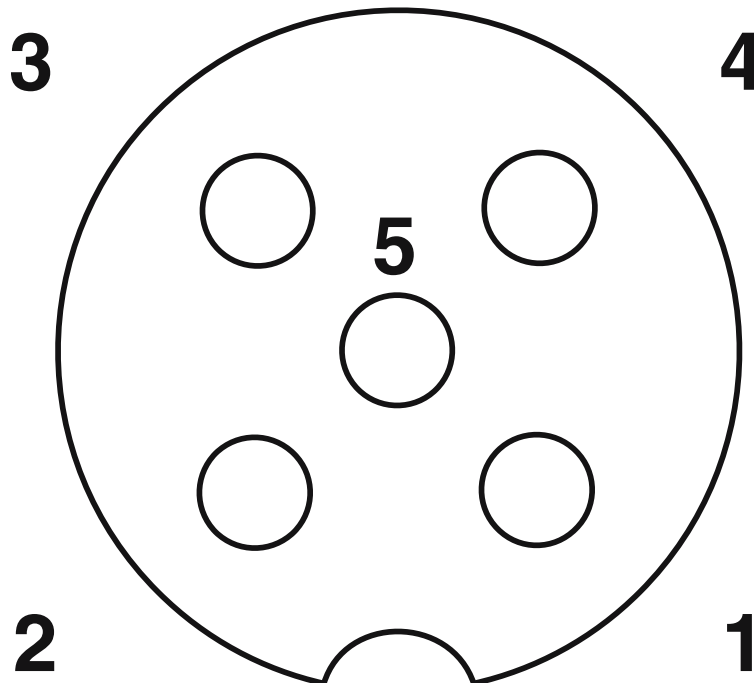
<https://www.phoenixcontact.com/pc/products/1551671>

Circuit diagram



Contact assignment of the M12 plug and the M12 socket

Schematic diagram



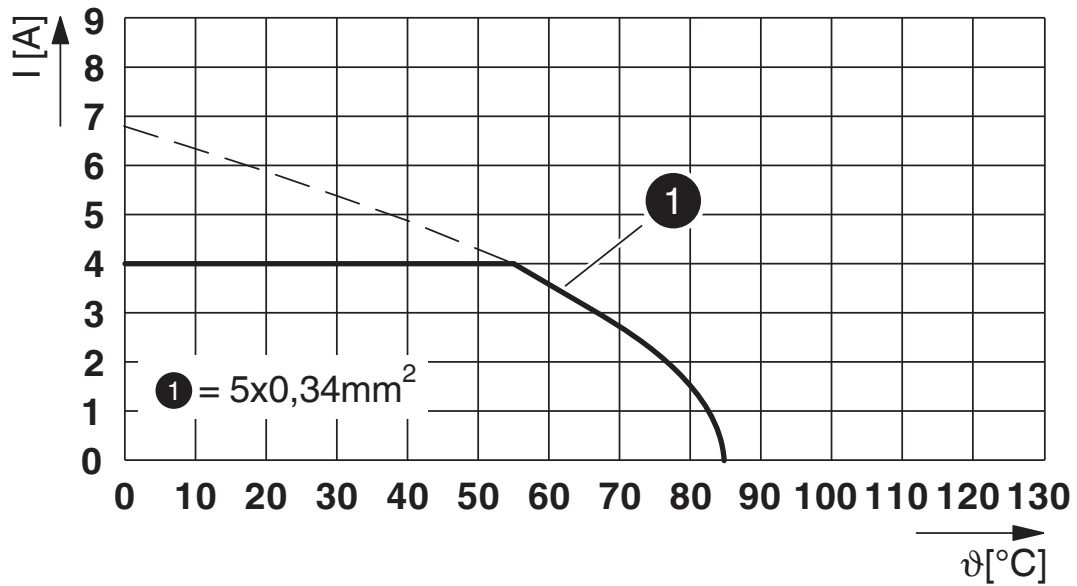
Pin assignment M12 socket, 5-pos., A-coded, socket side view



1551671

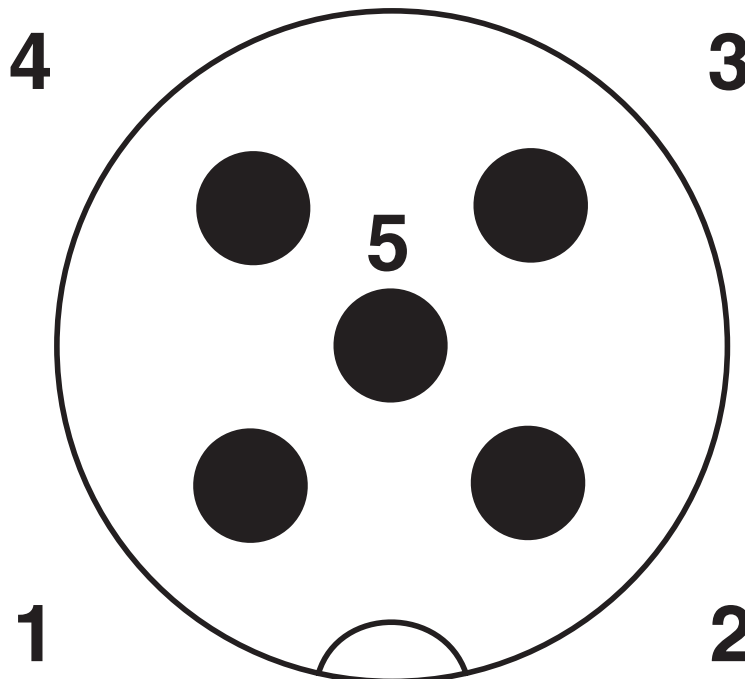
<https://www.phoenixcontact.com/pc/products/1551671>

Diagram



$I$  = current strength,  $T$  = ambient temperature

Schematic diagram



Pin assignment M12 male connector, 5-pos., A-coded, male side

# Panel feed-through - SACC-5P-DSI-M12MS/FS-M16



1551671

<https://www.phoenixcontact.com/pc/products/1551671>

## Approvals



**EAC**

Approval ID: B.01687

# Panel feed-through - SACC-5P-DSI-M12MS/FS-M16



1551671

<https://www.phoenixcontact.com/pc/products/1551671>

## Classifications

### ECLASS

ECLASS-10.0.1	27440102
ECLASS-9.0	27440102
ECLASS-11.0	27440102

### ETIM

ETIM 8.0	EC002635
----------	----------

### UNSPSC

UNSPSC 21.0	39121400
-------------	----------

# Panel feed-through - SACC-5P-DSI-M12MS/FS-M16



1551671

<https://www.phoenixcontact.com/pc/products/1551671>

## Environmental Product Compliance

REACH SVHC	Lead 7439-92-1
China RoHS	Environmentally Friendly Use Period = 50 years
	For information on hazardous substances, refer to the manufacturer's declaration available under "Downloads"

1551671

<https://www.phoenixcontact.com/pc/products/1551671>

## Accessories

### Screw plug

Screw plug - PROT-M12 - 1680539

<https://www.phoenixcontact.com/pc/products/1680539>



An M12 screw plug for the unoccupied M12 sockets of the sensor/actuator cable, boxes and flush-type connectors

---

### Screw plug

Screw plug - PROT-M12 SH - 1503302

<https://www.phoenixcontact.com/pc/products/1503302>



An M12 screw plug for the unoccupied M12 sockets of the shielded sensor/actuator cable, boxes and flush-type connectors

# Panel feed-through - SACC-5P-DSI-M12MS/FS-M16



1551671

<https://www.phoenixcontact.com/pc/products/1551671>

## Sealing cap

Sealing cap - PROT-M12 FS - 1560251

<https://www.phoenixcontact.com/pc/products/1560251>



M12 sealing cap for unoccupied M12 plugs of the sensor/actuator cable, flush-type plugs and I/O devices in the field

---

## Sealing cap

Sealing cap - PROT-M12 FS-M - 1430488

<https://www.phoenixcontact.com/pc/products/1430488>



M12 metal sealing cap for unoccupied M12 plugs of the sensor/actuator cable, flush-type plugs and I/O devices in the field

---

Phoenix Contact 2022 © - all rights reserved  
<https://www.phoenixcontact.com>

PHOENIX CONTACT GmbH & Co. KG  
Flachsmarktstraße 8  
D-32825 Blomberg  
+49 (0) 5235-3 00  
[info@phoenixcontact.com](mailto:info@phoenixcontact.com)