

Panel feed-through - SACC-8P-DSI-M12MS/FS-M16



1551697

<https://www.phoenixcontact.com/pc/products/1551697>

Please be informed that the data shown in this PDF document is generated from our Online Catalog. Please find the complete data in the user documentation. Our General Terms of Use for Downloads are valid.

Sensor/actuator control cabinet feed-through, male to female, 8-pos., M12, shielded, bipolar/screw mounting with M16 thread



Panel feed-through - SACC-8P-DSI-M12MS/FS-M16



1551697

<https://www.phoenixcontact.com/pc/products/1551697>

Commercial Data

Item number	1551697
Packing unit	1 pc
Minimum order quantity	1 pc
Note	Made to Order (non-returnable)
Product Key	ABQZCA
Catalog Page	Page 53 (C-2-2019)
GTIN	4046356156202
Weight per Piece (including packing)	31.6 g
Weight per Piece (excluding packing)	31 g
Customs tariff number	85366990
Country of origin	CZ

Technical Data

Notes

Notes on operation	The electrical and mechanical data specified assume that the connector pair is correctly locked and mounted. If the connector is unlocked and if there is a danger of contamination, the connector must be sealed using a protective cap > IP54. Influences arising from litz wires, cables or PCB assembly must also be taken into consideration.
--------------------	----------------------------------------------------------------------------------------------------------------------------------------------------------------------------------------------------------------------------------------------------------------------------------------------------------------------------------------------------

Product properties

Product type	Circular connectors (device side)
Number of positions	8
Coding	A - standard

Insulation characteristics

Overvoltage category	II
Degree of pollution	3

Ambient conditions

Degree of protection	IP67
Degree of protection	IP67
Ambient temperature (operation)	-25 °C ... 85 °C (Plug / socket)
	-40 °C ... 85 °C (without mechanical actuation)
	-25 °C ... 85 °C (Cable, flexible installation)
	-40 °C ... 85 °C (cable, fixed installation)

Connector

Insertion/withdrawal cycles	> 100
-----------------------------	-------

Header 1

Head design	Plug
Head cable outlet	straight
Head thread type	M12
Coding	A-coded

Head 2

Head design	Socket
Head cable outlet	straight
Head thread type	M12
Coding	A-coded

Electrical properties

Rated surge voltage	0.8 kV
Contact resistance	≤ 3 mΩ
Insulation resistance	≥ 100 MΩ
Nominal voltage U_N	30 V

Panel feed-through - SACC-8P-DSI-M12MS/FS-M16



1551697

<https://www.phoenixcontact.com/pc/products/1551697>

Nominal current I_N	2 A
-----------------------	-----

Material specifications

Flammability rating according to UL 94	HB
Sealing material	FKM
Contact material	CuZn
Contact surface material	Au
Contact carrier material	PA 6.6
Cable gland material	Nickel-plated brass

Connection data

Conductor connection

Connection method	Individual wires
-------------------	------------------

Mounting

Mounting type	Bipolar mounting M16 x 1.5
---------------	----------------------------

Standards and regulations

M12

Standards/specifications	IEC 61076-2-101
--------------------------	-----------------

Cable / line

Ambient conditions

Ambient temperature (operation)	-25 °C ... 85 °C (Cable, flexible installation)
	-40 °C ... 85 °C (cable, fixed installation)

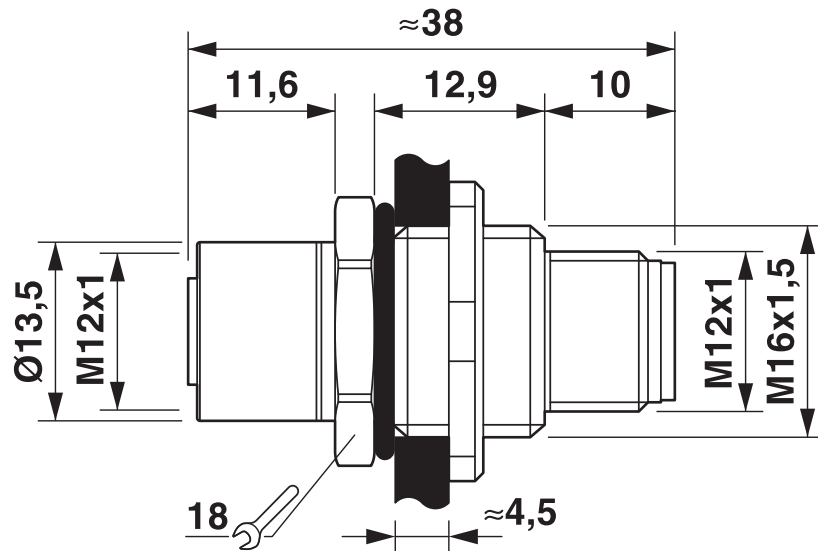
Panel feed-through - SACC-8P-DSI-M12MS/FS-M16

1551697

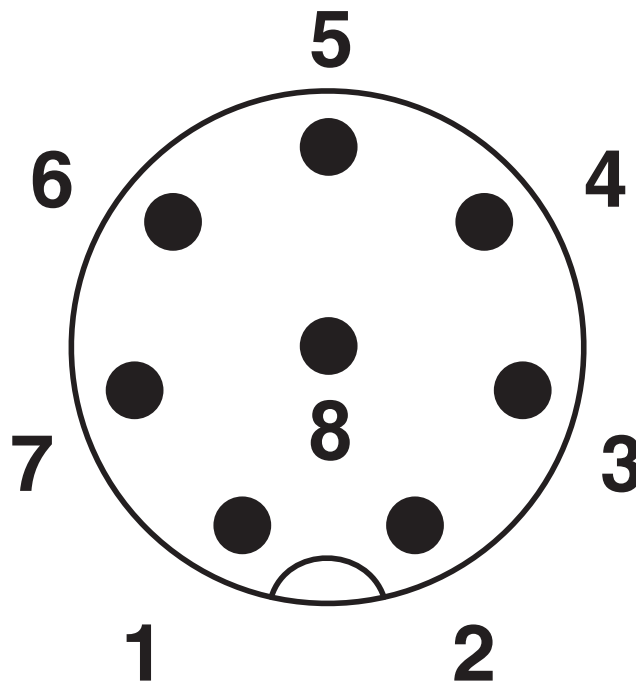
<https://www.phoenixcontact.com/pc/products/1551697>

Drawings

Dimensional drawing

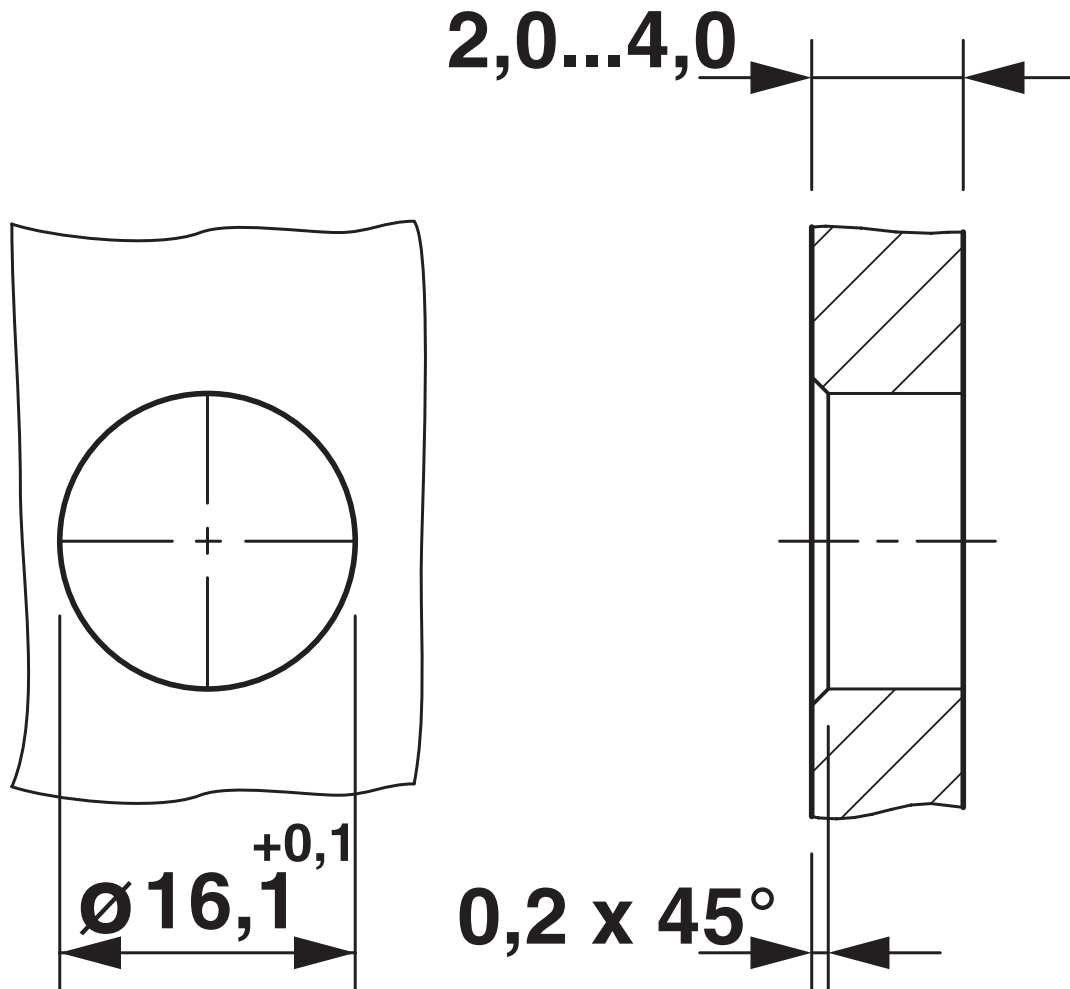


Schematic diagram



Pin assignment M12 plug, 8-pos., view plug side

Dimensional drawing



Mounting cutout

1551697

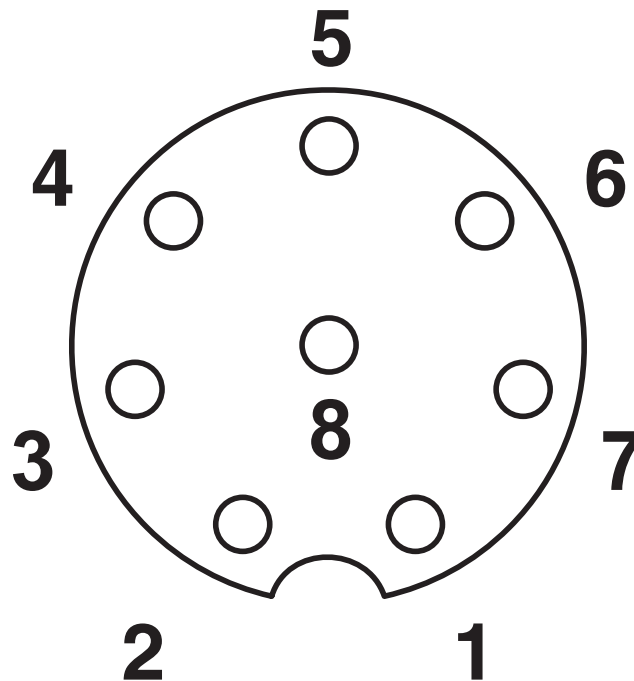
<https://www.phoenixcontact.com/pc/products/1551697>

Circuit diagram



Contact assignment of the M12 plug and the M12 socket

Schematic diagram



Pin assignment M12 socket, 8-pos., A-coded, view female side

Panel feed-through - SACC-8P-DSI-M12MS/FS-M16



1551697

<https://www.phoenixcontact.com/pc/products/1551697>

Approvals



EAC

Approval ID: B.01687

Panel feed-through - SACC-8P-DSI-M12MS/FS-M16



1551697

<https://www.phoenixcontact.com/pc/products/1551697>

Classifications

ECLASS

ECLASS-10.0.1	27440102
ECLASS-9.0	27440102
ECLASS-11.0	27440102

ETIM

ETIM 8.0	EC002635
----------	----------

UNSPSC

UNSPSC 21.0	39121400
-------------	----------

Panel feed-through - SACC-8P-DSI-M12MS/FS-M16



1551697

<https://www.phoenixcontact.com/pc/products/1551697>

Environmental Product Compliance

REACH SVHC	Lead 7439-92-1
China RoHS	Environmentally Friendly Use Period = 50 years
	For information on hazardous substances, refer to the manufacturer's declaration available under "Downloads"

1551697

<https://www.phoenixcontact.com/pc/products/1551697>

Accessories

Screw plug

Screw plug - PROT-M12 - 1680539

<https://www.phoenixcontact.com/pc/products/1680539>



An M12 screw plug for the unoccupied M12 sockets of the sensor/actuator cable, boxes and flush-type connectors

Screw plug

Screw plug - PROT-M12 SH - 1503302

<https://www.phoenixcontact.com/pc/products/1503302>



An M12 screw plug for the unoccupied M12 sockets of the shielded sensor/actuator cable, boxes and flush-type connectors

1551697

<https://www.phoenixcontact.com/pc/products/1551697>

Sealing cap

Sealing cap - PROT-M12 FS - 1560251

<https://www.phoenixcontact.com/pc/products/1560251>



M12 sealing cap for unoccupied M12 plugs of the sensor/actuator cable, flush-type plugs and I/O devices in the field

Sealing cap

Sealing cap - PROT-M12 FS-M - 1430488

<https://www.phoenixcontact.com/pc/products/1430488>



M12 metal sealing cap for unoccupied M12 plugs of the sensor/actuator cable, flush-type plugs and I/O devices in the field

Phoenix Contact 2022 © - all rights reserved
<https://www.phoenixcontact.com>

PHOENIX CONTACT GmbH & Co. KG
Flachsmarktstraße 8
D-32825 Blomberg
+49 (0) 5235-3 00
info@phoenixcontact.com