

Connector - SACC-M12FS-5CON-PG 7-VA



1553255

<https://www.phoenixcontact.com/pc/products/1553255>

Please be informed that the data shown in this PDF document is generated from our Online Catalog. Please find the complete data in the user documentation. Our General Terms of Use for Downloads are valid.



Connector, Universal, 5-position, Socket straight M12, Coding: A, Screw connection, knurl material: Stainless steel 1.4404, cable gland Pg7, external cable diameter 4 mm ... 6 mm

Your advantages

- Safe use in the field, thanks to a high degree of protection
- Screw connection: proven connection technology for a large selection of different conductors

Connector - SACC-M12FS-5CON-PG 7-VA



1553255

<https://www.phoenixcontact.com/pc/products/1553255>

Commercial Data

Item number	1553255
Packing unit	1 pc
Minimum order quantity	1 pc
Product Key	BF2CAA
Catalog Page	Page 23 (C-2-2019)
GTIN	4046356170178
Weight per Piece (including packing)	27.5 g
Weight per Piece (excluding packing)	25.46 g
Customs tariff number	85366990
Country of origin	DE

1553255

<https://www.phoenixcontact.com/pc/products/1553255>

Technical Data

Notes

Assembly instruction:

NOTE: Observe the permissible bending radii when laying conductors, since the degree of protection may be put in jeopardy if the bending forces are too high. Alleviate mechanical loads upstream of the connector, e.g. by using cable ties.

Product properties

Product type	Circular connector (cable-side)
Number of positions	5
No. of cable outlets	1
Shielded	no
Coding	A - standard
Cable outlet	straight
Pg screw connection	Pg7

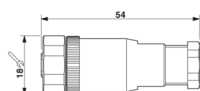
Insulation characteristics

Overvoltage category	II
Degree of pollution	3

Ambient conditions

Degree of protection	IP65
	IP67
	IP69K
Ambient temperature (operation)	-40 °C ... 85 °C (Plug / socket)

Dimensions

Dimensional drawing	
Length	54 mm

External dimensions

Outside diameter	4 mm ... 6 mm
------------------	---------------

Housing

Diameter housing	20 mm
------------------	-------

Connector

Insertion/withdrawal cycles	≥ 100
-----------------------------	-------

Header 1

Head design	Socket
-------------	--------

Connector - SACC-M12FS-5CON-PG 7-VA



1553255

<https://www.phoenixcontact.com/pc/products/1553255>

Head cable outlet	straight
Head thread type	M12
Coding	A-coded
Number of positions	5
Coding	A - standard
Insertion/withdrawal cycles	≥ 100
Connection method	Screw connection
Contact material	CuZn
Contact surface material	Au
Number of positions	5
Coding	A - standard
Insertion/withdrawal cycles	≥ 100
Connection method	Screw connection
Contact material	CuZn
Contact surface material	Au

Electrical properties

Rated surge voltage	1.5 kV
Contact resistance	≤ 3 mΩ
Insulation resistance	≥ 100 MΩ
Nominal voltage U _N	48 V AC 60 V DC
Nominal current I _N	4 A

Material specifications

Color Handle area	black
Sealing material	NBR
Material of grip body	PA
Contact material	CuZn
Contact surface material	Au
Contact carrier material	PA
Cable gland material	Stainless steel 1.4404

Connection data

Conductor connection

Connection method	Screw connection
Conductor cross section flexible	0.25 mm ² ... 0.75 mm ²
Cross section AWG	24 ... 18

Standards and regulations

Standards/specifications	IEC 61076-2-101
--------------------------	-----------------

Cable / line

Cable structure

Connector - SACC-M12FS-5CON-PG 7-VA



1553255

<https://www.phoenixcontact.com/pc/products/1553255>

Signal type/category	Universal
Stripping length of the individual wire	5 mm

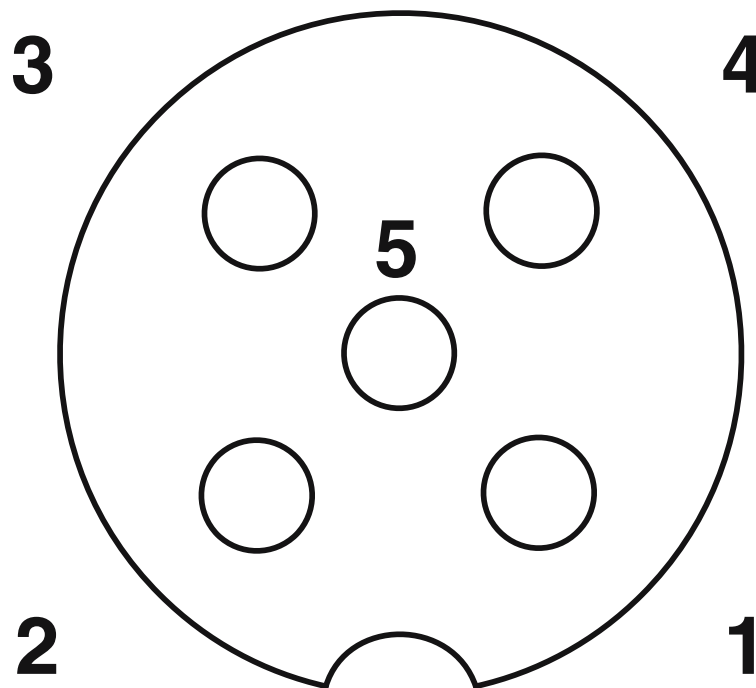
Connector - SACC-M12FS-5CON-PG 7-VA

1553255

<https://www.phoenixcontact.com/pc/products/1553255>

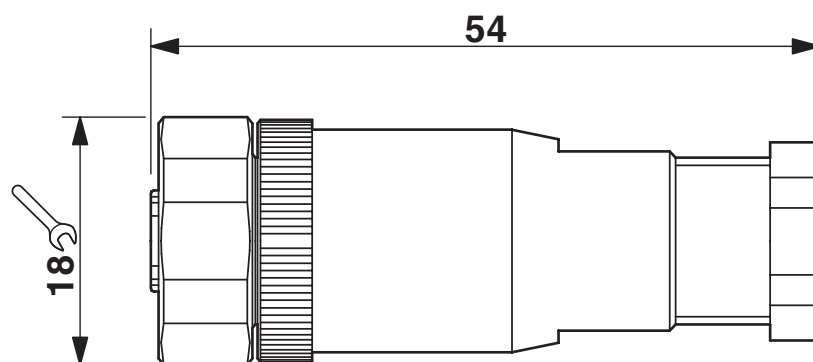
Drawings

Schematic diagram



Pin assignment M12 socket, 5-pos., A-coded, socket side view

Dimensional drawing



M12 x 1 socket, straight

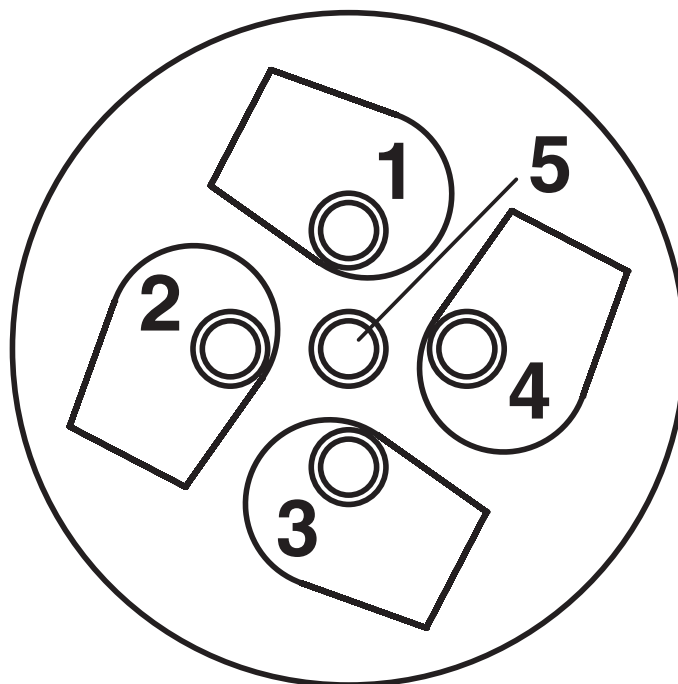
Connector - SACC-M12FS-5CON-PG 7-VA

1553255

<https://www.phoenixcontact.com/pc/products/1553255>



Schematic diagram



Cable connection side M12 (screw connection)

Connector - SACC-M12FS-5CON-PG 7-VA



1553255

<https://www.phoenixcontact.com/pc/products/1553255>

Approvals

 cUL Recognized Approval ID: FILE E 221474				
	Nominal Voltage U_N	Nominal Current I_N	Cross Section AWG	Cross Section mm^2
	125 V	4 A	-	-

 UL Recognized Approval ID: FILE E 221474				
	Nominal Voltage U_N	Nominal Current I_N	Cross Section AWG	Cross Section mm^2
	125 V	4 A	-	-

cULus Recognized

Connector - SACC-M12FS-5CON-PG 7-VA



1553255

<https://www.phoenixcontact.com/pc/products/1553255>

Classifications

ECLASS

ECLASS-10.0.1	27440102
ECLASS-9.0	27440102
ECLASS-11.0	27440102

ETIM

ETIM 8.0	EC002635
----------	----------

UNSPSC

UNSPSC 21.0	39121400
-------------	----------

Connector - SACC-M12FS-5CON-PG 7-VA



1553255

<https://www.phoenixcontact.com/pc/products/1553255>

Environmental Product Compliance

REACH SVHC	Lead 7439-92-1
China RoHS	Environmentally Friendly Use Period = 50 years
	For information on hazardous substances, refer to the manufacturer's declaration available under "Downloads"

Connector - SACC-M12FS-5CON-PG 7-VA

1553255

<https://www.phoenixcontact.com/pc/products/1553255>



Accessories

Connector

Connector - SACC-M12-SET/2,5-3,5 - 1436505

<https://www.phoenixcontact.com/pc/products/1436505>



Sensor/actuator connector, accessories, pressure screw and Pg7 seal, for unshielded M12 connector, cable diameter 2.5 mm - 3.5 mm

Screwdriver

Screwdriver - SZF 1-0,6X3,5 - 1204517

<https://www.phoenixcontact.com/pc/products/1204517>



Actuation tool, for ST terminal blocks, also suitable for use as a bladed screwdriver, size: 0.6 x 3.5 x 100 mm, 2-component grip, with non-slip grip

Connector - SACC-M12FS-5CON-PG 7-VA



1553255

<https://www.phoenixcontact.com/pc/products/1553255>

Ferrule

Ferrule - A 0,25- 5 - 3202465

<https://www.phoenixcontact.com/pc/products/3202465>

Ferrule, length: 5 mm, color: silver



Torque screwdriver

Torque screwdriver - TSD 04 SAC - 1208429

<https://www.phoenixcontact.com/pc/products/1208429>

Torque screwdriver, with preset torque of 0.4 Nm and 4 mm hexagonal drive for M12 connectors



Connector - SACC-M12FS-5CON-PG 7-VA



1553255

<https://www.phoenixcontact.com/pc/products/1553255>

Torque screwdriver

Torque screwdriver - TSD-M 1,2NM - 1212224

<https://www.phoenixcontact.com/pc/products/1212224>



Torque screw driver, accuracy as per EN ISO 6789 standard, adjustable from 0.3 - 1.2 Nm

Adapter insert

Adapter insert - TSD-M SAC-BIT ADAPTER - 1212600

<https://www.phoenixcontact.com/pc/products/1212600>



Adapter bit for TSD-M...torque tools, E6.3-1/4" drive with 4 mm hexagon to accommodate SAC bits

Connector - SACC-M12FS-5CON-PG 7-VA



1553255

<https://www.phoenixcontact.com/pc/products/1553255>

Crimping pliers

Crimping pliers - CRIMPFOX 6H - 1212046

<https://www.phoenixcontact.com/pc/products/1212046>



Crimping pliers, for ferrules without insulating collar according to DIN 46228 Part 1 and ferrules with insulating collar according to DIN 46228 Part 4, 0.14 mm² ... 6 mm², unlockable pressure lock, lateral entry

Tool

Tool - SAC BIT M12-W14 - 1212513

<https://www.phoenixcontact.com/pc/products/1212513>



Nut for assembling sensor/actuator cables with M12 connector and M12 connectors for assembly, with a hexagonal knurl wrench size of 14 mm, with 4 mm hexagonal drive

Phoenix Contact 2022 © - all rights reserved
<https://www.phoenixcontact.com>

PHOENIX CONTACT GmbH & Co. KG
Flachsmarktstraße 8
D-32825 Blomberg
+49 (0) 5235-3 00
info@phoenixcontact.com