

# Screw plug - PROT-MS SCO

1553129

<https://www.phoenixcontact.com/pc/products/1553129>



Please be informed that the data shown in this PDF document is generated from our Online Catalog. Please find the complete data in the user documentation. Our General Terms of Use for Downloads are valid.

---



M12 screw plug with fast-locking system for unoccupied M12 female connectors of sensor/actuator cables, boxes, and flush-type connectors

---

## Your advantages

- Reliable protection of unoccupied slots during transport and use in the field
- Protected against splash water and dust
- Easy assembly by hand or using a screwdriver
- Good haptics due to ribbing
- Secure and convenient locking with SPEEDCON

# Screw plug - PROT-MS SCO

1553129

<https://www.phoenixcontact.com/pc/products/1553129>



## Commercial Data

Item number	1553129
Packing unit	5 pc
Minimum order quantity	5 pc
Product Key	BF3ZAX
Catalog Page	Page 197 (C-6-2019)
GTIN	4046356156776
Weight per Piece (including packing)	1.77 g
Weight per Piece (excluding packing)	1.6 g
Customs tariff number	39269097
Country of origin	DE

# Screw plug - PROT-MS SCO



1553129

<https://www.phoenixcontact.com/pc/products/1553129>

## Technical Data

### Notes

General	Not suitable for M12 sockets with K, L, or M coding
---------	---

### Product properties

Product type	Plug for cable screw gland
Thread type	M12

### Material specifications

Color	black
Material	PA 6.6
Flammability rating according to UL 94	V0

### Connector

Material	PA 6.6
Thread type	M12
Material	PA 6.6

### Environmental and real-life conditions

#### Ambient conditions

Degree of protection	IP67
----------------------	------

# Screw plug - PROT-MS SCO

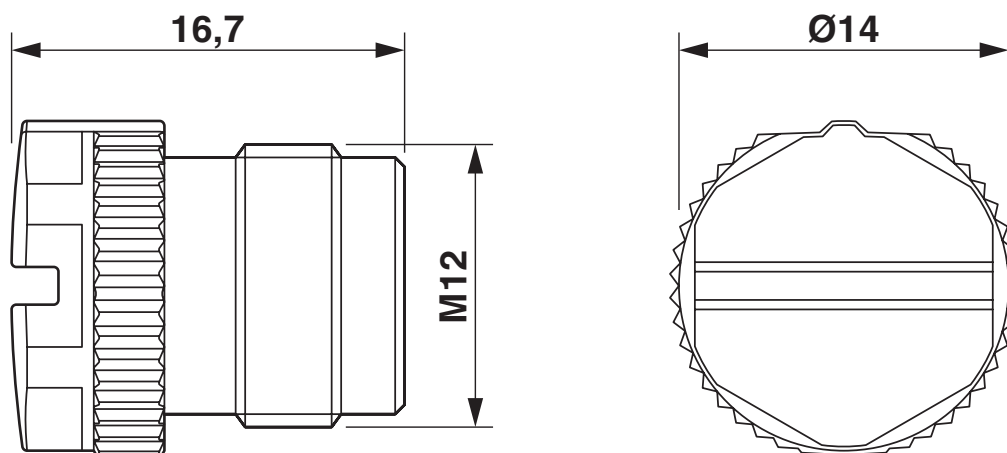
1553129

<https://www.phoenixcontact.com/pc/products/1553129>



## Drawings

Dimensional drawing



# Screw plug - PROT-MS SCO



1553129

<https://www.phoenixcontact.com/pc/products/1553129>

## Classifications

### ECLASS

ECLASS-9.0	23111190
ECLASS-10.0.1	23111190
ECLASS-11.0	23111190

### ETIM

ETIM 8.0	EC000032
----------	----------

### UNSPSC

UNSPSC 21.0	31261500
-------------	----------

# Screw plug - PROT-MS SCO

1553129

<https://www.phoenixcontact.com/pc/products/1553129>



## Environmental Product Compliance

China RoHS	Environmentally friendly use period: unlimited = EFUP-e No hazardous substances above threshold values
------------	---

# Screw plug - PROT-MS SCO

1553129

<https://www.phoenixcontact.com/pc/products/1553129>



## Accessories

### Screwdriver

Screwdriver - SZF 3-1,0X5,5 - 1206612

<https://www.phoenixcontact.com/pc/products/1206612>



Actuation tool, for ST terminal blocks, also suitable for use as a bladed screwdriver, size: 1.0 x 5.5 x 150 mm, 2-component grip, with non-slip grip

---

Phoenix Contact 2022 © - all rights reserved  
<https://www.phoenixcontact.com>

PHOENIX CONTACT GmbH & Co. KG  
Flachsmarktstraße 8  
D-32825 Blomberg  
+49 (0) 5235-3 00  
[info@phoenixcontact.com](mailto:info@phoenixcontact.com)