

Sealing cap - PROT-M12 FS

1560251

<https://www.phoenixcontact.com/pc/products/1560251>



Please be informed that the data shown in this PDF document is generated from our Online Catalog. Please find the complete data in the user documentation. Our General Terms of Use for Downloads are valid.



M12 sealing cap for unoccupied M12 plugs of the sensor/actuator cable, flush-type plugs and I/O devices in the field

Your advantages

- Reliable protection of unoccupied slots during transport and use in the field
- Protected against splash water and dust by the internal seal
- Good haptics due to ribbing on the cap
- Easy assembly without tools

Sealing cap - PROT-M12 FS

1560251

<https://www.phoenixcontact.com/pc/products/1560251>



Commercial Data

Item number	1560251
Packing unit	5 pc
Minimum order quantity	5 pc
Product Key	BF3ZAX
Catalog Page	Page 197 (C-6-2019)
GTIN	4046356183659
Weight per Piece (including packing)	2.02 g
Weight per Piece (excluding packing)	1.46 g
Customs tariff number	39235090
Country of origin	DE

Sealing cap - PROT-M12 FS



1560251

<https://www.phoenixcontact.com/pc/products/1560251>

Technical Data

Product properties

Product type	Protective cap
Thread type	M12

Material specifications

Color	black
Flammability rating according to UL 94	HB
Sealing material	NBR
Material of grip body	PE

Connector

Thread type	M12
-------------	-----

Environmental and real-life conditions

Ambient conditions

Degree of protection	IP67
Ambient temperature (operation)	-40 °C ... 90 °C

Sealing cap - PROT-M12 FS

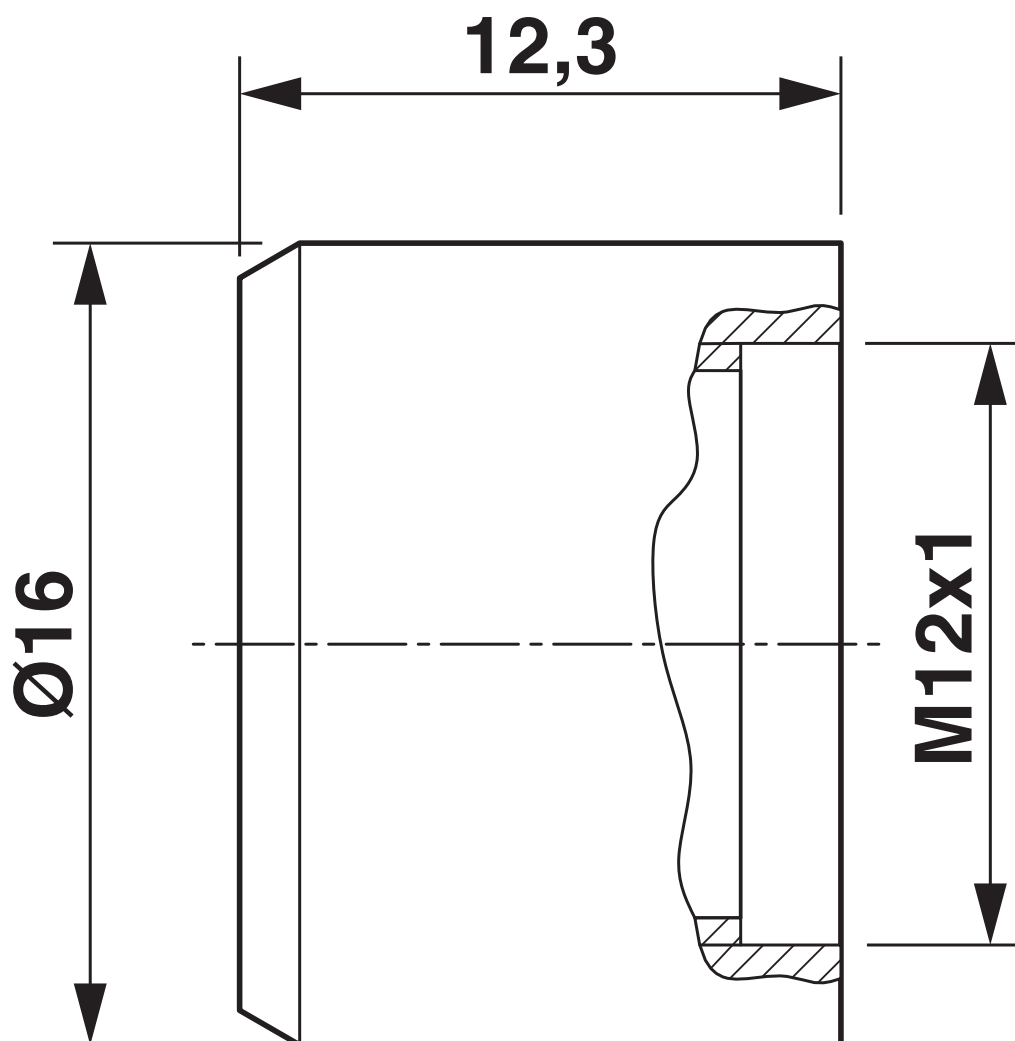
1560251

<https://www.phoenixcontact.com/pc/products/1560251>



Drawings

Dimensional drawing



Sealing cap - PROT-M12 FS



1560251

<https://www.phoenixcontact.com/pc/products/1560251>

Classifications

ECLASS

ECLASS-9.0	23111190
ECLASS-10.0.1	23111190
ECLASS-11.0	23111190

ETIM

ETIM 8.0	EC000032
----------	----------

UNSPSC

UNSPSC 21.0	31261500
-------------	----------

Sealing cap - PROT-M12 FS

1560251

<https://www.phoenixcontact.com/pc/products/1560251>



Environmental Product Compliance

China RoHS	Environmentally friendly use period: unlimited = EFUP-e
	No hazardous substances above threshold values

Phoenix Contact 2022 © - all rights reserved
<https://www.phoenixcontact.com>

PHOENIX CONTACT GmbH & Co. KG
Flachmarktstraße 8
D-32825 Blomberg
+49 (0) 5235-3 00
info@phoenixcontact.com