

# Panel feed-through - SACC-DSI-MS-8CON-M12/0,5 SCO



1551914

<https://www.phoenixcontact.com/pc/products/1551914>

Please be informed that the data shown in this PDF document is generated from our Online Catalog. Please find the complete data in the user documentation. Our General Terms of Use for Downloads are valid.

---



Sensor/actuator flush-type plug, 8-pos., M12 SPEEDCON, rear/screw mounting with M12 thread, with 0.5 m TPE litz wire, 8 x 0.25 mm<sup>2</sup>

---

## Your advantages

- Pre-assembled with litz wires for immediate use
- Customer-specific assemblies and litz wire lengths available
- Sealed on the litz wire side for optimum leak-tightness
- Standard pin assignments for signal and power transmission with a uniform design-in design
- For high transmission safety: shield connection to the housing with optional EMC nut
- SPEEDCON fast locking system reduces cabling times

# Panel feed-through - SACC-DSI-MS-8CON-M12/0,5 SCO



1551914

<https://www.phoenixcontact.com/pc/products/1551914>

## Commercial Data

Item number	1551914
Packing unit	1 pc
Minimum order quantity	1 pc
Note	Made to Order (non-returnable)
Product Key	ABQCDG
Catalog Page	Page 47 (C-2-2019)
GTIN	4046356161978
Weight per Piece (including packing)	22.61 g
Weight per Piece (excluding packing)	22.5 g
Customs tariff number	85444290
Country of origin	DE

# Panel feed-through - SACC-DSI-MS-8CON-M12/0,5 SCO



1551914

<https://www.phoenixcontact.com/pc/products/1551914>

## Technical Data

### Notes

Notes on operation	The electrical and mechanical data specified assume that the connector pair is correctly locked and mounted. If the connector is unlocked and if there is a danger of contamination, the connector must be sealed using a protective cap > IP54. Influences arising from litz wires, cables or PCB assembly must also be taken into consideration.
--------------------	--

### Product properties

Product type	Circular connectors (device side)
Number of positions	8
No. of cable outlets	1
Shielded	no
Coding	A - standard

### Insulation characteristics

Overvoltage category	II
Degree of pollution	3

### Ambient conditions

Degree of protection	IP67 (When plugged in)
	IP65 (When plugged in)
Degree of protection	IP65/IP67
Ambient temperature (operation)	-25 °C ... 85 °C (Plug / socket)
	-40 °C ... 85 °C (without mechanical actuation)
	-25 °C ... 85 °C (Cable, flexible installation)
	-40 °C ... 85 °C (cable, fixed installation)

### Connector

Insertion/withdrawal cycles	> 100
-----------------------------	-------

### Header 1

Head design	Plug
Head cable outlet	straight
Head thread type	M12
Head locking type	SPEEDCON
Coding	A-coded

### Electrical properties

Rated surge voltage	0.8 kV
Contact resistance	≤ 3 mΩ
Insulation resistance	≥ 100 MΩ
Nominal voltage $U_N$	30 V
Nominal current $I_N$	2 A

# Panel feed-through - SACC-DSI-MS-8CON-M12/0,5 SCO



1551914

<https://www.phoenixcontact.com/pc/products/1551914>

## Material specifications

Flammability rating according to UL 94	V0
Sealing material	NBR
Contact material	CuZn
Contact surface material	Au
Contact carrier material	PA 6.6
Cable gland material	Zinc die-cast, nickel-plated

## Connection data

### Conductor connection

Connection method	Individual wires
-------------------	------------------

## Mounting

Mounting type	Rear mounting M12 x 1 With flat nut
Assembly instructions	With flat nut

## Standards and regulations

### M12

Standards/specifications	IEC 61076-2-101
--------------------------	-----------------

## Cable / line

Cable length	0.5 m
--------------	-------

### Cable structure

Cable type	TPE litz wire
Conductor material	Tin-plated Cu litz wires
Conductor structure signal line	14x 0.15 mm
AWG signal line	24
Material wire insulation	TPE
Thickness, insulation	0.21 mm
Wire diameter incl. insulation	1.15 mm ±0.07 mm
Single wire, color	Brown, blue, white, gray, pink, green, yellow, red

### Electrical properties

Nominal voltage, cable	300 V
Test voltage, cable	2000 V AC
Conductor resistance	≤ 80 mΩ/m
Cable insulation resistance	≥ 20 MΩ*km

### Ambient conditions

Ambient temperature (operation)	-25 °C ... 85 °C (Cable, flexible installation)
	-40 °C ... 85 °C (cable, fixed installation)

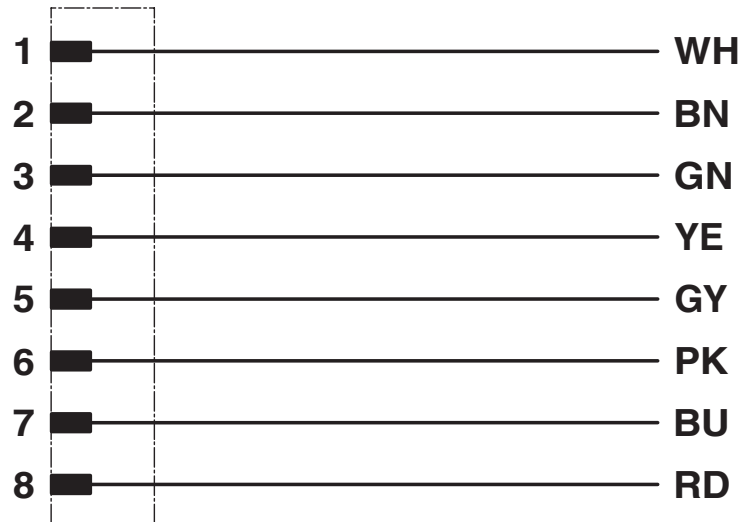
# Panel feed-through - SACC-DSI-MS-8CON-M12/0,5 SCO

1551914

<https://www.phoenixcontact.com/pc/products/1551914>

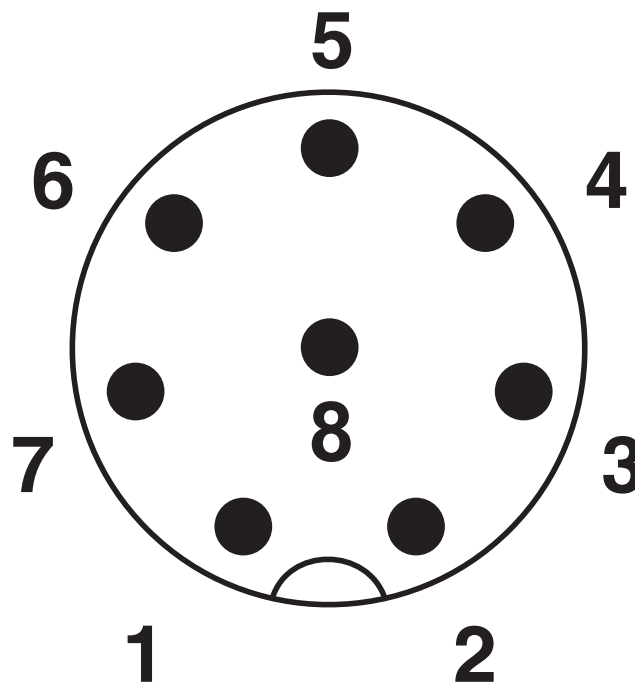
## Drawings

Circuit diagram



Contact assignment of the M12 plug and the M12 socket

Schematic diagram



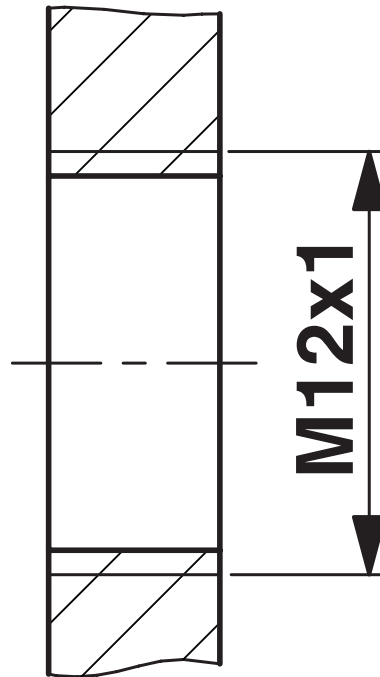
Pin assignment M12 plug, 8-pos., view plug side

# Panel feed-through - SACC-DSI-MS-8CON-M12/0,5 SCO

1551914

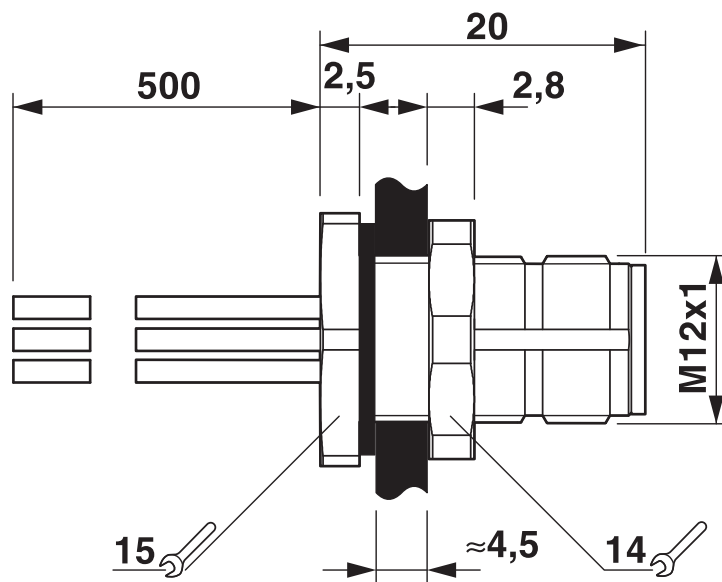
<https://www.phoenixcontact.com/pc/products/1551914>

Dimensional drawing



Housing cutout for M12 fastening thread, mounting panel with thread

Dimensional drawing



M12 flush-type connector

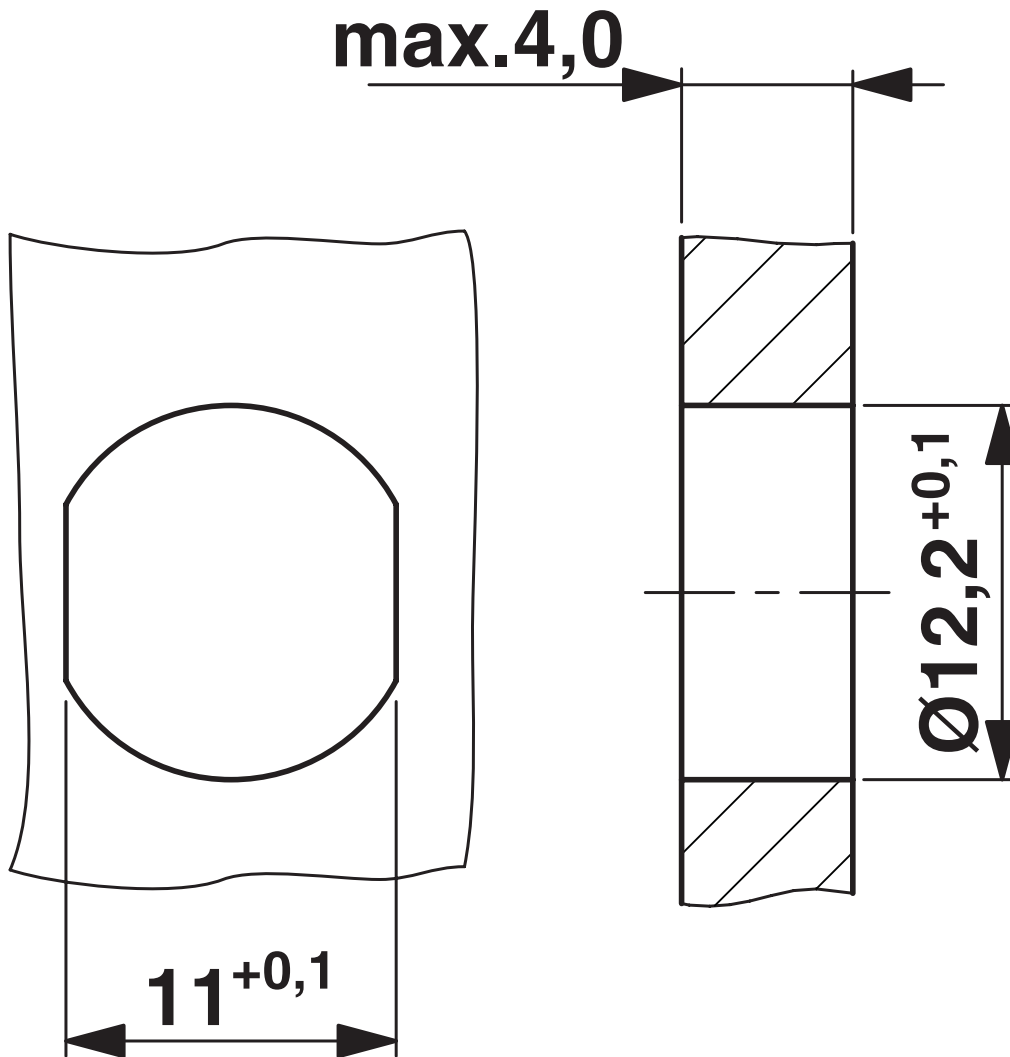
# Panel feed-through - SACC-DSI-MS-8CON-M12/0,5 SCO



1551914

<https://www.phoenixcontact.com/pc/products/1551914>

Dimensional drawing



Housing cutout for M12 fastening thread, mounting panel with feed-through hole (alternative with surface as protection against rotation)


# Panel feed-through - SACC-DSI-MS-8CON-M12/0,5 SCO




1551914

<https://www.phoenixcontact.com/pc/products/1551914>

## Approvals

 <b>UL Recognized</b> Approval ID: FILE E 118976				
	Nominal Voltage $U_N$	Nominal Current $I_N$	Cross Section AWG	Cross Section $\text{mm}^2$
	30 V	2 A	- 24	-

 <b>EAC</b> Approval ID: B.01687				
--	--	--	--	--

 <b>cULus Recognized</b> Approval ID: E221474-20140616				
	Nominal Voltage $U_N$	Nominal Current $I_N$	Cross Section AWG	Cross Section $\text{mm}^2$
	30 V	2 A	24 - 22	-



# Panel feed-through - SACC-DSI-MS-8CON-M12/0,5 SCO



1551914

<https://www.phoenixcontact.com/pc/products/1551914>

## Classifications

### ECLASS

ECLASS-9.0	27440102
ECLASS-10.0.1	27440102
ECLASS-11.0	27440102

### ETIM

ETIM 8.0	EC002635
----------	----------

### UNSPSC

UNSPSC 21.0	39121400
-------------	----------

# Panel feed-through - SACC-DSI-MS-8CON-M12/0,5 SCO



1551914

<https://www.phoenixcontact.com/pc/products/1551914>

## Environmental Product Compliance

REACH SVHC	Lead 7439-92-1
China RoHS	Environmentally Friendly Use Period = 50 years
	For information on hazardous substances, refer to the manufacturer's declaration available under "Downloads"

# Panel feed-through - SACC-DSI-MS-8CON-M12/0,5 SCO



1551914

<https://www.phoenixcontact.com/pc/products/1551914>

## Accessories

### Sealing cap

Sealing cap - PROT-M12 FS - 1560251

<https://www.phoenixcontact.com/pc/products/1560251>



M12 sealing cap for unoccupied M12 plugs of the sensor/actuator cable, flush-type plugs and I/O devices in the field

---

### Sealing cap

Sealing cap - PROT-M12 FS-M - 1430488

<https://www.phoenixcontact.com/pc/products/1430488>



M12 metal sealing cap for unoccupied M12 plugs of the sensor/actuator cable, flush-type plugs and I/O devices in the field

---

Phoenix Contact 2022 © - all rights reserved

<https://www.phoenixcontact.com>

PHOENIX CONTACT GmbH & Co. KG

Flachsmarktstraße 8

D-32825 Blomberg

+49 (0) 5235-3 00

[info@phoenixcontact.com](mailto:info@phoenixcontact.com)