

Sealing frame - CES-B10-SFFS-PLBK



0801660

<https://www.phoenixcontact.com/pc/products/0801660>

Please be informed that the data shown in this PDF document is generated from our Online Catalog. Please find the complete data in the user documentation. Our General Terms of Use for Downloads are valid.



Sealing frame with screw locking, size B10, with flat gasket, for 6 small sleeves

Your advantages

- Can also be used for standard panel cutouts for heavy-duty industrial connectors

Sealing frame - CES-B10-SFFS-PLBK



0801660

<https://www.phoenixcontact.com/pc/products/0801660>

Commercial Data

Item number	0801660
Packing unit	1 pc
Minimum order quantity	1 pc
Product Key	BF7CAX
Catalog Page	Page 677 (C-2-2019)
GTIN	4046356674126
Weight per Piece (including packing)	137.7 g
Weight per Piece (excluding packing)	130.3 g
Customs tariff number	39269097
Country of origin	PL

Sealing frame - CES-B10-SFFS-PLBK

0801660

<https://www.phoenixcontact.com/pc/products/0801660>

Technical Data

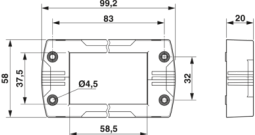
Notes

Note on application	Mounting screws not supplied as standard. The maximum width of the panel cutout must not exceed 51 mm (instead of 35 mm for heavy-duty industrial connectors).
---------------------	--

Product properties

Type	B10
Product type	Frame for cable sleeves
Locking type	with screw locking
Frame type	Sealing frame

Dimensions

Dimensional drawing	
Width	58 mm
Height	20 mm
Length	99.2 mm
Drill hole distance, horizontal	32 mm
Drill hole distance, vertical	83 mm
Hole diameter	5.5 mm

Installation dimensions

Width of the assembly cutout	35 mm
Length of the assembly cutout	65 mm

Material specifications

Color	black
Material	PA (halogen-free)
Flammability rating according to UL 94	V0

Connector

Number of cable seals	2 ... 6 (small seals, depending on the number of large seals installed)
	0 ... 1 (large seals, depending on the number of small seals installed)

Environmental and real-life conditions

Ambient conditions

Degree of protection	IP54
	IP65

Sealing frame - CES-B10-SFFS-PLBK



0801660

<https://www.phoenixcontact.com/pc/products/0801660>

Ambient temperature (operation)	-40 °C ... 120 °C (static)
---------------------------------	----------------------------

Mounting

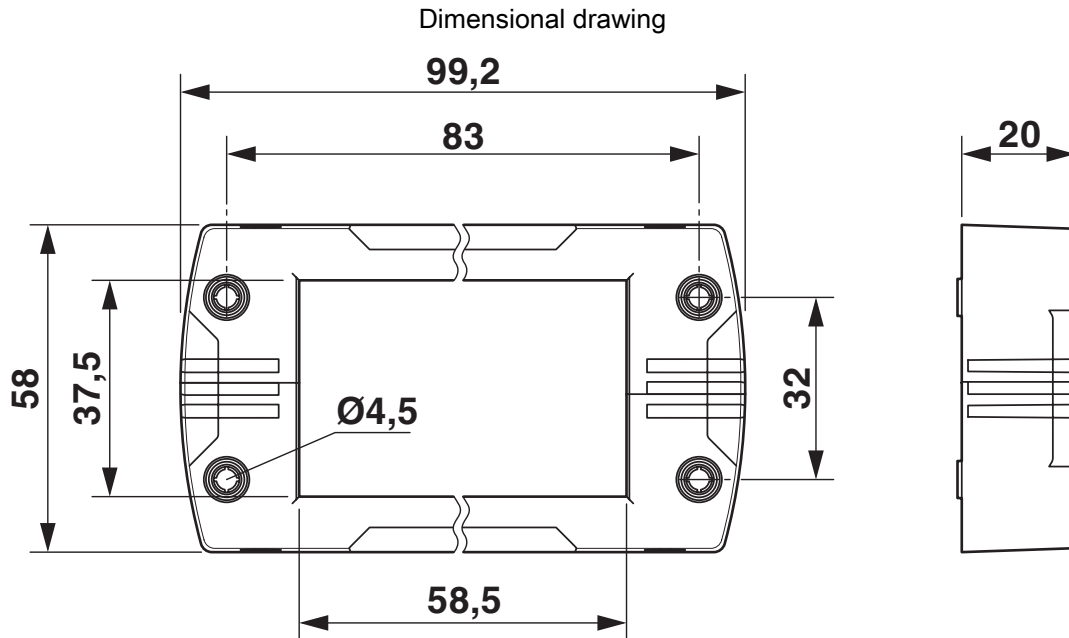
Assembly instructions	M4 locking screw with 3 mm Allen screw head, 3 ... 4 Nm torque, 1 large sleeve requires the space of 4 small sleeves, mounting screw: M4 (ISO 4762/DIN 912), 1.8 Nm torque
	The flat gasket supplied should be inserted between the wall and the sealing frame in the case of wall mounting. IP54: for vertical sealing frame mounting/for horizontal sealing frame mounting (downward cable outlet direction). IP65: when using the CES-SRC-BK / CES-LRC-BK cone sleeve, for vertical mounting/horizontal mounting (downward cable outlet direction) of the sealing frame directly on the housing panel, and use of a 3.6 mm wide cable binder (e.g., item 3240744).

Sealing frame - CES-B10-SFFS-PLBK

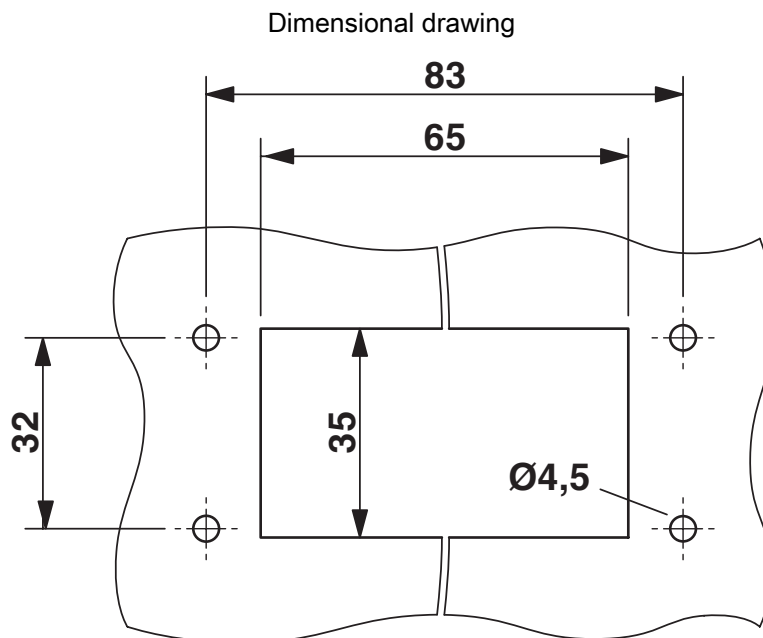
0801660

<https://www.phoenixcontact.com/pc/products/0801660>

Drawings



Dimensional drawing



Mounting cutout

Sealing frame - CES-B10-SFFS-PLBK



0801660

<https://www.phoenixcontact.com/pc/products/0801660>

Approvals



cUL Recognized

Approval ID: NITW8.E255026



UL Recognized

Approval ID: NITW2.E255026

DNV

Approval ID: TAE00003VJ

cULus Recognized

Sealing frame - CES-B10-SFFS-PLBK



0801660

<https://www.phoenixcontact.com/pc/products/0801660>

Classifications

ECLASS

ECLASS-9.0	27142421
ECLASS-10.0.1	27142421
ECLASS-11.0	27142421

ETIM

ETIM 8.0	EC000211
----------	----------

UNSPSC

UNSPSC 21.0	31261500
-------------	----------

Sealing frame - CES-B10-SFFS-PLBK



0801660

<https://www.phoenixcontact.com/pc/products/0801660>

Environmental Product Compliance

REACH SVHC	Lead 7439-92-1
China RoHS	Environmentally Friendly Use Period = 50 years
	For information on hazardous substances, refer to the manufacturer's declaration available under "Downloads"

Sealing frame - CES-B10-SFFS-PLBK

0801660

<https://www.phoenixcontact.com/pc/products/0801660>

Accessories

Snap-on frame

Snap-on frame - CES-B10-SF-PLBK - 0801655

<https://www.phoenixcontact.com/pc/products/0801655>



Snap-on frame, type: B10, length: 108 mm, width: 64 mm, height: 39 mm

Screwdriver

Screwdriver - SF-M BH - 1212070

<https://www.phoenixcontact.com/pc/products/1212070>



Bit screwdriver, with 1/4" quick-action chuck, handle length 119 mm, 2-component handle, with non-slip grip, suitable for bits according to DIN 3126-C 6.3 and E 6.3/ISO 1173, magnetic

Sealing frame - CES-B10-SFFS-PLBK

0801660

<https://www.phoenixcontact.com/pc/products/0801660>

Screw insert

Screw insert - SF-BIT-HEX 3-50 - 1212647

<https://www.phoenixcontact.com/pc/products/1212647>



Screw bit, hexagon, E6.3-1/4" drive, size: Hex 3 x 50 mm, hardened, suitable for holder according to DIN 3126-F6.3/ISO 1173

Screw

Screw - CES-SFFS-H - 0801728

<https://www.phoenixcontact.com/pc/products/0801728>



M4 replacement screw with 4 mm Allen screw head for sealing frame with screw locking

Sealing frame - CES-B10-SFFS-PLBK

0801660

<https://www.phoenixcontact.com/pc/products/0801660>



Flat gasket

Flat gasket - CES-B10-WRG-BK - 0801725

<https://www.phoenixcontact.com/pc/products/0801725>

Flat gasket made of NBR, size B10



Phoenix Contact 2022 © - all rights reserved

<https://www.phoenixcontact.com>

PHOENIX CONTACT GmbH & Co. KG

Flachsmarktstraße 8

D-32825 Blomberg

+49 (0) 5235-3 00

info@phoenixcontact.com