

# Profile - UM122-PROFIL 100CM

2914576

<https://www.phoenixcontact.com/de/produkte/2914576>



Please be informed that the data shown in this PDF document is generated from our Online Catalog. Please find the complete data in the user documentation. Our General Terms of Use for Downloads are valid.

---

Press-drawn section housings, Basic profile, profile width (internal): 122 mm, length: 1000 mm, color: green, Note: required profile length = PCB length - 9.5 mm



# Profile - UM122-PROFIL 100CM



2914576

<https://www.phoenixcontact.com/de/produkte/2914576>

## Commercial Data

Item number	2914576
Packing unit	1 pc
Minimum order quantity	1 pc
Sales Key	F1 - Elektronikgehäuse
Product Key	ACHDBA
Catalog Page	Page 758 (C-1-2013)
GTIN	4017918959166
Weight per Piece (including packing)	300 g
Weight per Piece (excluding packing)	509 g
Customs tariff number	39162000
Country of origin	DE

# Profile - UM122-PROFIL 100CM

2914576

<https://www.phoenixcontact.com/de/produkte/2914576>

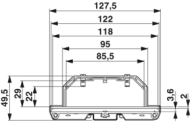


## Technical Data

### Product properties

Product type	Component housing lower part
Type	Basic profile
Housing type	Press-drawn section housings
Housing series	UM

### Dimensions

Dimensional drawing	
Length	1 m

### External dimensions

Profile width (external)	127.5 mm
--------------------------	----------

### Internal dimensions

Profile width (internal)	122 mm
--------------------------	--------

### Material specifications

Color	green
Flammability rating according to UL 94	V0
Housing material	PVC

### Environmental and real-life conditions

#### Ambient conditions

Ambient temperature (operation)	-15 °C ... 50 °C
---------------------------------	------------------

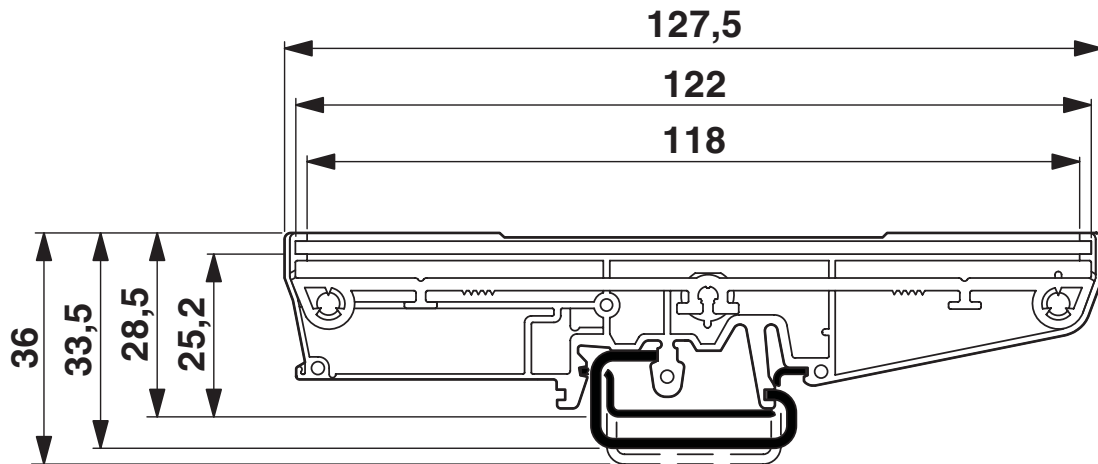
# Profile - UM122-PROFIL 100CM

2914576

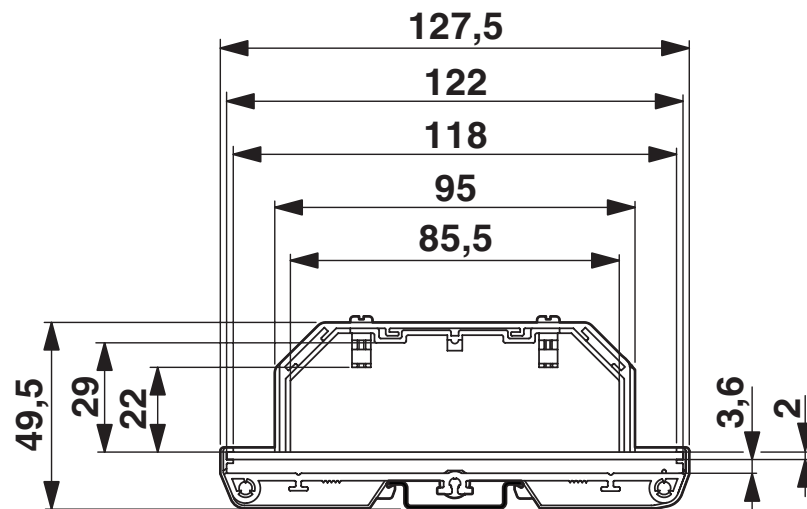
<https://www.phoenixcontact.com/de/produkte/2914576>

## Drawings

Dimensional drawing



Dimensional drawing



# Profile - UM122-PROFIL 100CM

2914576

<https://www.phoenixcontact.com/de/produkte/2914576>



## Approvals

**EN** EAC

# Profile - UM122-PROFIL 100CM



2914576

<https://www.phoenixcontact.com/de/produkte/2914576>

## Classifications

### ECLASS

ECLASS-9.0	27182701
ECLASS-10.0.1	27182701
ECLASS-11.0	27182701

### ETIM

ETIM 8.0	EC002779
----------	----------

### UNSPSC

UNSPSC 21.0	31261500
-------------	----------

# Profile - UM122-PROFIL 100CM

2914576

<https://www.phoenixcontact.com/de/produkte/2914576>



## Environmental Product Compliance

China RoHS	Environmentally friendly use period: unlimited = EFUP-e
	No hazardous substances above threshold values

Phoenix Contact 2022 © - all rights reserved  
<https://www.phoenixcontact.com>

PHOENIX CONTACT Deutschland GmbH  
Flachmarktstraße 8  
D-32825 Blomberg  
+49 52 35/3-1 20 00  
[info@phoenixcontact.de](mailto:info@phoenixcontact.de)