

Connector - SACC-M12MS-4CON-PG11-DUO-M



1507052

<https://www.phoenixcontact.com/pc/products/1507052>

Please be informed that the data shown in this PDF document is generated from our Online Catalog. Please find the complete data in the user documentation. Our General Terms of Use for Downloads are valid.



Connector, Universal, 4-position, Plug straight M12, Coding: A, Screw connection, knurl material: Zinc die-cast, nickel-plated, cable gland Pg11-DUO, external cable diameter 2.1 mm ... 3 mm / 4 mm ... 5.2 mm

Your advantages

- Safe use in the field, thanks to a high degree of protection
- Screw connection: proven connection technology for a large selection of different conductors
- Save space: connect two sensors to one connector with a multiple grommet

Connector - SACC-M12MS-4CON-PG11-DUO-M



1507052

<https://www.phoenixcontact.com/pc/products/1507052>

Commercial Data

Item number	1507052
Packing unit	1 pc
Minimum order quantity	1 pc
Product Key	BF2CAA
Catalog Page	Page 25 (C-2-2019)
GTIN	4017918888381
Weight per Piece (including packing)	28.51 g
Weight per Piece (excluding packing)	28.5 g
Customs tariff number	85366990
Country of origin	DE

1507052

<https://www.phoenixcontact.com/pc/products/1507052>

Technical Data

Notes

Assembly instruction:

NOTE: Observe the permissible bending radii when laying conductors, since the degree of protection may be put in jeopardy if the bending forces are too high. Alleviate mechanical loads upstream of the connector, e.g. by using cable ties.

Product properties

Product type	Circular connector (cable-side)
Number of positions	4
No. of cable outlets	2
Shielded	no
Coding	A - standard
Cable outlet	straight
Pg screw connection	Pg11

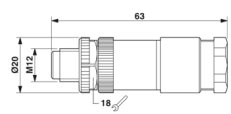
Insulation characteristics

Overvoltage category	II
Degree of pollution	3

Ambient conditions

Degree of protection	IP67
Ambient temperature (operation)	-40 °C ... 85 °C (Plug / socket)

Dimensions

Dimensional drawing	
Length	63 mm

External dimensions

Outside diameter	2x 2.1 mm ... 3 mm (when using the seal for small outer cable diameters)
	2x 4 mm ... 5.2 mm (when using the seal for large outer cable diameters)

Housing

Diameter housing	20 mm
------------------	-------

Connector

Insertion/withdrawal cycles	≥ 100
-----------------------------	-------

Header 1

Connector - SACC-M12MS-4CON-PG11-DUO-M



1507052

<https://www.phoenixcontact.com/pc/products/1507052>

Head design	Plug
Head cable outlet	straight
Head thread type	M12
Coding	A-coded
Number of positions	4
Coding	A - standard
Insertion/withdrawal cycles	≥ 100
Connection method	Screw connection
Contact material	CuZn
Contact surface material	CuSnZn
Number of positions	4
Coding	A - standard
Insertion/withdrawal cycles	≥ 100
Connection method	Screw connection
Contact material	CuZn
Contact surface material	CuSnZn

Electrical properties

Rated surge voltage	2.5 kV
Contact resistance	≤ 8 mΩ
Insulation resistance	≥ 100 MΩ
Nominal voltage U_N	250 V AC
	250 V DC
Nominal current I_N	4 A

Material specifications

Sealing material	NBR (Cable clamping)
Material of grip body	PA
Contact material	CuZn
Contact surface material	CuSnZn
Contact carrier material	PA
Cable gland material	Zinc die-cast, nickel-plated

Connection data

Conductor connection

Connection method	Screw connection
Conductor cross section flexible	0.25 mm ² ... 0.75 mm ²
Cross section AWG	24 ... 18

Mounting

Assembly instructions	This connector includes one seal for small and one seal for large outer cable diameters.
-----------------------	--

Standards and regulations

Connector - SACC-M12MS-4CON-PG11-DUO-M



1507052

<https://www.phoenixcontact.com/pc/products/1507052>

M12

Standards/specifications	IEC 61076-2-101
--------------------------	-----------------

Cable / line

Cable structure

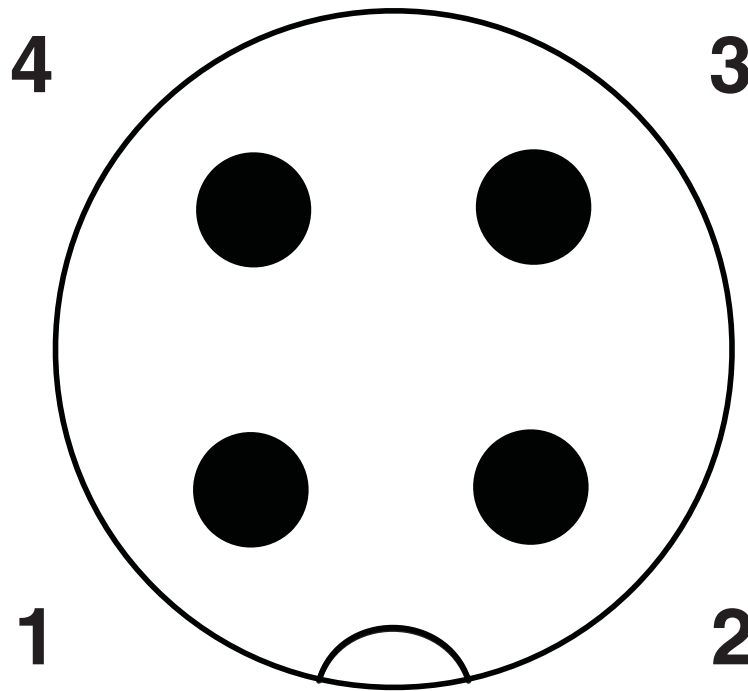
Signal type/category	Universal
Stripping length of the individual wire	5 mm

1507052

<https://www.phoenixcontact.com/pc/products/1507052>

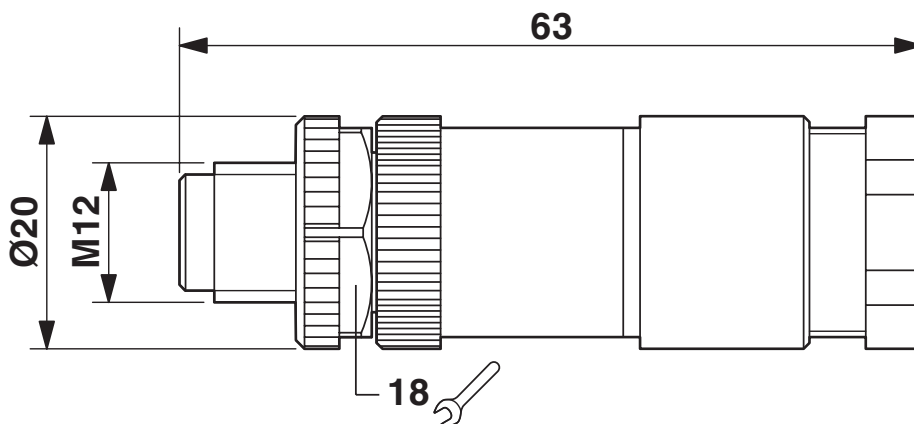
Drawings

Schematic diagram



Pin assignment M12 plug, 4-pos., A-coded, view plug side

Dimensional drawing



Plug, M12 x 1, straight

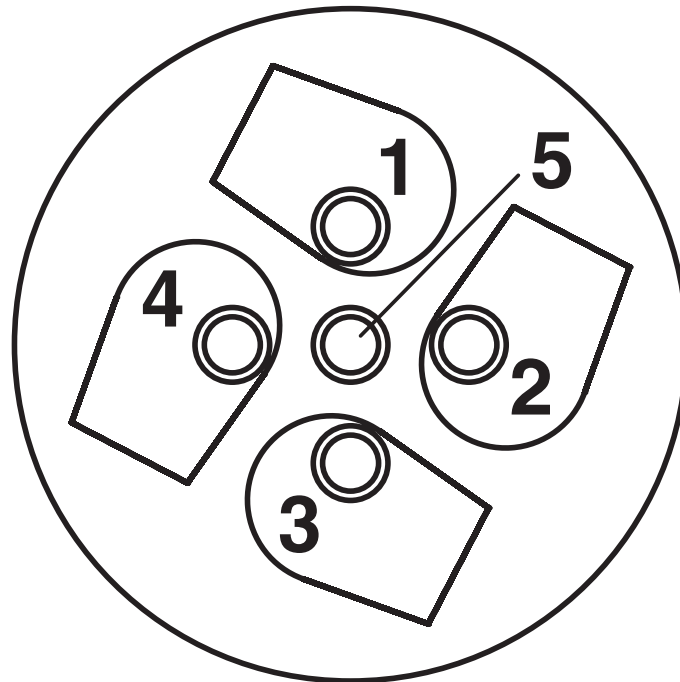
Connector - SACC-M12MS-4CON-PG11-DUO-M

1507052

<https://www.phoenixcontact.com/pc/products/1507052>



Schematic diagram



Cable connection side M12 (screw connection)

Connector - SACC-M12MS-4CON-PG11-DUO-M





1507052

<https://www.phoenixcontact.com/pc/products/1507052>

Approvals

 cUL Recognized Approval ID: FILE E 221474	Nominal Voltage U_N	Nominal Current I_N	Cross Section AWG	Cross Section mm^2
	250 V	4 A	-	-

 UL Recognized Approval ID: FILE E 221474	Nominal Voltage U_N	Nominal Current I_N	Cross Section AWG	Cross Section mm^2
	250 V	4 A	-	-

 EAC Approval ID: RU C-DE.BL08.B.00511

cULus Recognized

Connector - SACC-M12MS-4CON-PG11-DUO-M



1507052

<https://www.phoenixcontact.com/pc/products/1507052>

Classifications

ECLASS

ECLASS-10.0.1	27440102
ECLASS-9.0	27440102
ECLASS-11.0	27440102

ETIM

ETIM 8.0	EC002635
----------	----------

UNSPSC

UNSPSC 21.0	39121400
-------------	----------

Connector - SACC-M12MS-4CON-PG11-DUO-M



1507052

<https://www.phoenixcontact.com/pc/products/1507052>

Environmental Product Compliance

REACH SVHC	Lead 7439-92-1
China RoHS	Environmentally Friendly Use Period = 50 years
	For information on hazardous substances, refer to the manufacturer's declaration available under "Downloads"

Connector - SACC-M12MS-4CON-PG11-DUO-M



1507052

<https://www.phoenixcontact.com/pc/products/1507052>

Accessories

Cable reel

Cable reel - SAC-3P-100,0-PUR/0,25 - 1501689

<https://www.phoenixcontact.com/pc/products/1501689>



By the meter, Cable reel, PUR halogen-free, black-gray RAL 7021, 3-wire, color single wire: brown, blue, black, cable length: 100 m

Cable reel

Cable reel - SAC-3P-100,0-PUR/0,34 - 1501650

<https://www.phoenixcontact.com/pc/products/1501650>



By the meter, Cable reel, PUR halogen-free, black-gray RAL 7021, 3-wire, color single wire: brown, blue, black, cable length: 100 m

Connector - SACC-M12MS-4CON-PG11-DUO-M



1507052

<https://www.phoenixcontact.com/pc/products/1507052>

Cable reel

Cable reel - SAC-4P-100,0-PUR/0,25 - 1501692

<https://www.phoenixcontact.com/pc/products/1501692>



By the meter, Cable reel, PUR halogen-free, black-gray RAL 7021, 4-wire, color single wire: brown, white, blue, black, cable length: 100 m

Cable reel

Cable reel - SAC-4P-100,0-PUR/0,34 - 1501663

<https://www.phoenixcontact.com/pc/products/1501663>



By the meter, Cable reel, PUR halogen-free, black-gray RAL 7021, 4-wire, color single wire: brown, white, blue, black, cable length: 100 m

Connector - SACC-M12MS-4CON-PG11-DUO-M



1507052

<https://www.phoenixcontact.com/pc/products/1507052>

Screwdriver

Screwdriver - SZF 1-0,6X3,5 - 1204517

<https://www.phoenixcontact.com/pc/products/1204517>



Actuation tool, for ST terminal blocks, also suitable for use as a bladed screwdriver, size: 0.6 x 3.5 x 100 mm, 2-component grip, with non-slip grip

Torque screwdriver

Torque screwdriver - TSD 04 SAC - 1208429

<https://www.phoenixcontact.com/pc/products/1208429>



Torque screwdriver, with preset torque of 0.4 Nm and 4 mm hexagonal drive for M12 connectors

Connector - SACC-M12MS-4CON-PG11-DUO-M



1507052

<https://www.phoenixcontact.com/pc/products/1507052>

Torque screwdriver

Torque screwdriver - TSD-M 1,2NM - 1212224

<https://www.phoenixcontact.com/pc/products/1212224>



Torque screw driver, accuracy as per EN ISO 6789 standard, adjustable from 0.3 - 1.2 Nm

Adapter insert

Adapter insert - TSD-M SAC-BIT ADAPTER - 1212600

<https://www.phoenixcontact.com/pc/products/1212600>



Adapter bit for TSD-M...torque tools, E6.3-1/4" drive with 4 mm hexagon to accommodate SAC bits

Connector - SACC-M12MS-4CON-PG11-DUO-M



1507052

<https://www.phoenixcontact.com/pc/products/1507052>

Sealing cap

Sealing cap - PROT-M12 FS-PA-CHAIN - 1430873

<https://www.phoenixcontact.com/pc/products/1430873>

M12 sealing cap made of plastic with fixing band, for sensor cables, for free M12 plugs



Tool

Tool - SACC BIT M12-D20 - 1208445

<https://www.phoenixcontact.com/pc/products/1208445>

Nut for assembling M12 connectors for assembly with a knurl diameter of 20 mm, for 4 mm hexagonal drive



Phoenix Contact 2022 © - all rights reserved
<https://www.phoenixcontact.com>

PHOENIX CONTACT GmbH & Co. KG
Flachsmarktstraße 8
D-32825 Blomberg
+49 (0) 5235-3 00
info@phoenixcontact.com