

Screw plug - PROT-M12

1680539

<https://www.phoenixcontact.com/pc/products/1680539>



Please be informed that the data shown in this PDF document is generated from our Online Catalog. Please find the complete data in the user documentation. Our General Terms of Use for Downloads are valid.



An M12 screw plug for the unoccupied M12 sockets of the sensor/actuator cable, boxes and flush-type connectors

Your advantages

- Reliable protection of unoccupied slots during transport and use in the field
- Protected against splash water and dust
- Easy assembly using a screwdriver

Screw plug - PROT-M12

1680539

<https://www.phoenixcontact.com/pc/products/1680539>



Commercial Data

Item number	1680539
Packing unit	5 pc
Minimum order quantity	5 pc
Sales Key	02
Product Key	BF3ZAX
Catalog Page	Page 197 (C-6-2019)
GTIN	4017918163389
Weight per Piece (including packing)	1.35 g
Weight per Piece (excluding packing)	0.826 g
Customs tariff number	39269097
Country of origin	DE

Screw plug - PROT-M12



1680539

<https://www.phoenixcontact.com/pc/products/1680539>

Technical Data

Notes

General	Not suitable for M12 sockets with K, L, or M coding
---------	---

Product properties

Product type	Plug for cable screw gland
Thread type	M12

Material specifications

Color	black
Material	PA 6.6
Flammability rating according to UL 94	V0
Standards/regulations	PA 6.6: Fire protection in rail vehicles - requirement sets R22, R23, and R24 acc. to DIN EN 45545-2 (Risk level HL1 - HL3)

Connector

Material	PA 6.6
Thread type	M12
Material	PA 6.6

Environmental and real-life conditions

Ambient conditions

Degree of protection	IP65
	IP67
Ambient temperature (operation)	-40 °C ... 85 °C

Standards and regulations

Testing

Standards/regulations	PA 6.6: Fire protection in rail vehicles - requirement sets R22, R23, and R24 acc. to DIN EN 45545-2 (Risk level HL1 - HL3)
-----------------------	---

Screw plug - PROT-M12

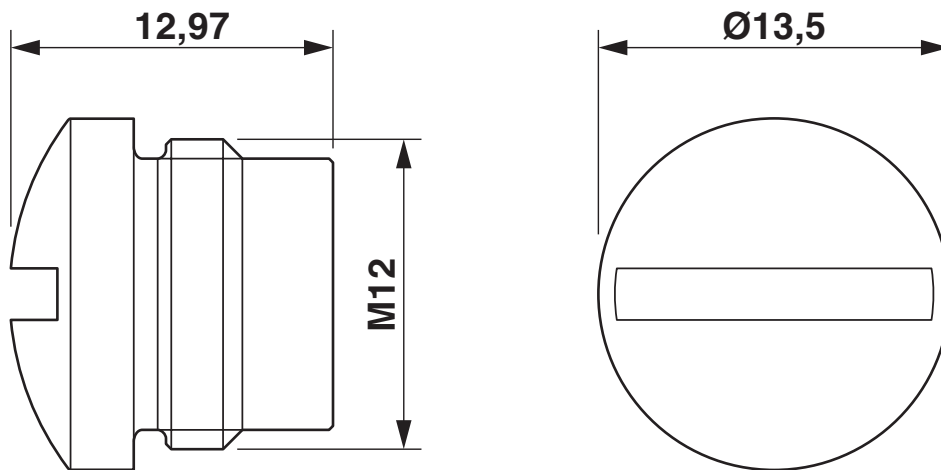
1680539

<https://www.phoenixcontact.com/pc/products/1680539>



Drawings

Dimensional drawing



Screw plug - PROT-M12

1680539

<https://www.phoenixcontact.com/pc/products/1680539>



Approvals



UL Recognized

Approval ID: FILE E 240868

Screw plug - PROT-M12

1680539

<https://www.phoenixcontact.com/pc/products/1680539>



Classifications

ECLASS

ECLASS-9.0	23111190
ECLASS-10.0.1	23111190
ECLASS-11.0	23111190

ETIM

ETIM 8.0	EC000032
----------	----------

UNSPSC

UNSPSC 21.0	31261500
-------------	----------

Screw plug - PROT-M12

1680539

<https://www.phoenixcontact.com/pc/products/1680539>



Environmental Product Compliance

China RoHS

Environmentally friendly use period: unlimited = EFUP-e

No hazardous substances above threshold values

Screw plug - PROT-M12

1680539

<https://www.phoenixcontact.com/pc/products/1680539>



Accessories

Screwdriver

Screwdriver - SZF 3-1,0X5,5 - 1206612

<https://www.phoenixcontact.com/pc/products/1206612>



Actuation tool, for ST terminal blocks, also suitable for use as a bladed screwdriver, size: 1.0 x 5.5 x 150 mm, 2-component grip, with non-slip grip

Phoenix Contact 2022 © - all rights reserved
<https://www.phoenixcontact.com>

PHOENIX CONTACT GmbH & Co. KG
Flachsmarktstraße 8
D-32825 Blomberg
+49 (0) 5235-3 00
info@phoenixcontact.com