

Patch cable - VS-PNRJ45-PNRJ45-93B-0,5



1406398

<https://www.phoenixcontact.com/pc/products/1406398>

Please be informed that the data shown in this PDF document is generated from our Online Catalog. Please find the complete data in the user documentation. Our General Terms of Use for Downloads are valid.

Patch cable, degree of protection: IP20, cable length: 0.5 m, number of positions: 4, PROFINET



Patch cable - VS-PNRJ45-PNRJ45-93B-0,5



1406398

<https://www.phoenixcontact.com/pc/products/1406398>

Commercial Data

Item number	1406398
Packing unit	1 pc
Minimum order quantity	1 pc
Note	Made to Order (non-returnable)
Product Key	ABNAAL
GTIN	4046356763417
Weight per Piece (including packing)	60.2 g
Weight per Piece (excluding packing)	55 g
Customs tariff number	85444210
Country of origin	PL

Patch cable - VS-PNRJ45-PNRJ45-93B-0,5



1406398

<https://www.phoenixcontact.com/pc/products/1406398>

Technical Data

Product properties

Product type	Data cable preassembled
Number of positions	4
Application	Standard
Locking type	Push Pull
Shielded	yes

Insulation characteristics

Overvoltage category	I
----------------------	---

LED signaling

Status display	No
----------------	----

Electrical properties

Rated voltage (III/3)	72 V (DC)
Transmission medium	Copper

Connector

Header 1

Degree of protection	IP20
----------------------	------

Cable / line

Cable length	0.50 m
--------------	--------

Cable structure

Cable type	PROFINET type B
Cable type	Round cable

Ambient conditions

Degree of protection	IP20
----------------------	------

Patch cable - VS-PNRJ45-PNRJ45-93B-0,5

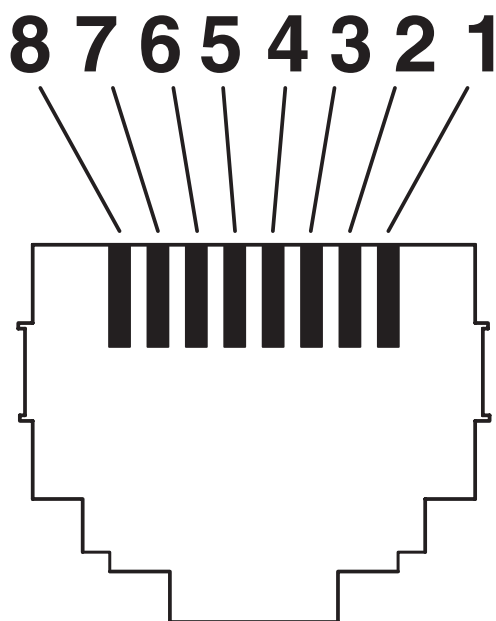
1406398

<https://www.phoenixcontact.com/pc/products/1406398>

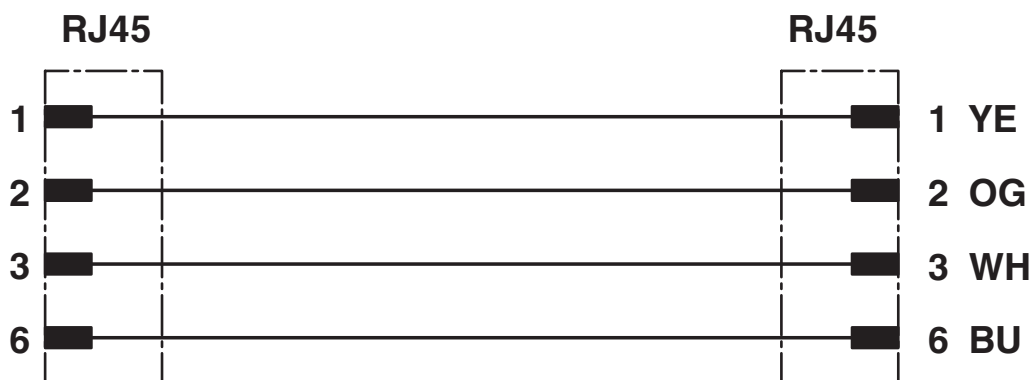


Drawings

Schematic diagram



Circuit diagram

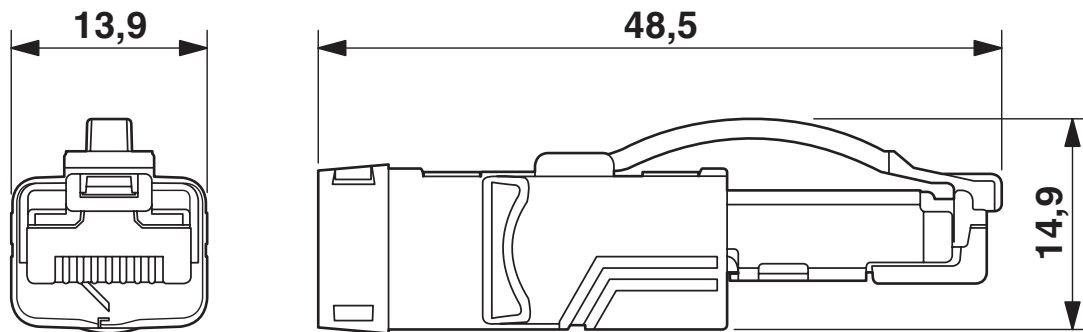


Patch cable - VS-PNRJ45-PNRJ45-93B-0,5

1406398

<https://www.phoenixcontact.com/pc/products/1406398>

Dimensional drawing



RJ45 connector, IP20

Patch cable - VS-PNRJ45-PNRJ45-93B-0,5



1406398

<https://www.phoenixcontact.com/pc/products/1406398>

Approvals



EAC

Approval ID: 19060508

Patch cable - VS-PNRJ45-PNRJ45-93B-0,5



1406398

<https://www.phoenixcontact.com/pc/products/1406398>

Classifications

ECLASS

ECLASS-9.0	27060308
ECLASS-10.0.1	27060308
ECLASS-11.0	27060308

ETIM

ETIM 8.0	EC002599
----------	----------

UNSPSC

UNSPSC 21.0	26121600
-------------	----------

Patch cable - VS-PNRJ45-PNRJ45-93B-0,5



1406398

<https://www.phoenixcontact.com/pc/products/1406398>

Environmental Product Compliance

China RoHS	Environmentally friendly use period: unlimited = EFUP-e No hazardous substances above threshold values
------------	---

Phoenix Contact 2022 © - all rights reserved
<https://www.phoenixcontact.com>

PHOENIX CONTACT GmbH & Co. KG
Flachmarktstraße 8
D-32825 Blomberg
+49 (0) 5235-3 00
info@phoenixcontact.com