

# Valve connectors - SAC-3P-MR/A-1L-Z SCO



1458538

<https://www.phoenixcontact.com/de/produkte/1458538>

Please be informed that the data shown in this PDF document is generated from our Online Catalog. Please find the complete data in the user documentation. Our General Terms of Use for Downloads are valid.

---



Valve connectors, 3-position, Plug angled M12 SPEEDCON, coding: A, on Valve connector A, with 1 LED, connected with Z diode

---

# Valve connectors - SAC-3P-MR/A-1L-Z SCO



1458538

<https://www.phoenixcontact.com/de/produkte/1458538>

## Commercial Data

Item number	1458538
Packing unit	1 pc
Minimum order quantity	1 pc
Sales Key	C1 - Sensor-Aktor-Kabel
Product Key	BF1GDA
Catalog Page	Page 256 (C-2-2019)
GTIN	4046356638982
Weight per Piece (including packing)	30,7 g
Weight per Piece (excluding packing)	30,7 g
Customs tariff number	85366990
Country of origin	PL

# Valve connectors - SAC-3P-MR/A-1L-Z SCO

1458538

<https://www.phoenixcontact.com/de/produkte/1458538>

## Technical Data

### Product properties

Product type	Valve connector adapter
Number of positions	3
No. of cable outlets	1
Coding	A - standard

### Insulation characteristics

Overvoltage category	II
Degree of pollution	3

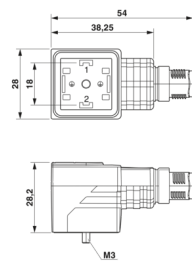
### Electrical properties

Contact resistance	$\leq 5 \text{ m}\Omega$
Insulation resistance	$\geq 100 \text{ M}\Omega$
Nominal voltage $U_N$	24 V AC
	24 V DC
Nominal current $I_N$	4 A
Protective circuit	Z diode

### LED signaling

Status display	Yellow LED
Status display present	yes

### Dimensions

Dimensional drawing	
Width	28 mm
Height	28.2 mm
Length	54 mm

### Material specifications

Flammability rating according to UL 94	HB
Sealing material	TPU (Seal molded)
Material housing valve plug	TPU
Contact material	CuSn
Contact surface material	Ni/Au
Contact carrier material	PA66

# Valve connectors - SAC-3P-MR/A-1L-Z SCO



1458538

<https://www.phoenixcontact.com/de/produkte/1458538>

Contact material	CuSn
Valve plug contact insert material	PA 6.6
Contact surface material	Sn
Cable gland material	Zinc die-cast, nickel-plated

## Connector

Insertion/withdrawal cycles	50 (valve plug)
	≥ 100 (M12 connector)

### Header 1

Head design	Plug
Head cable outlet	angled
Head thread type	M12
Head locking type	SPEEDCON
Coding	A

### Head 2

Head design	Valve connector
Head thread type	A
Status indicator head	1 LED

## Environmental and real-life conditions

### Ambient conditions

Degree of protection	IP65
	IP67
Ambient temperature (operation)	-25 °C ... 85 °C (valve plug)

## Standards and regulations

### M12

Standards/specifications	IEC 61076-2-101
--------------------------	-----------------

### M12

Standards/specifications	EN 175301-803
--------------------------	---------------

# Valve connectors - SAC-3P-MR/A-1L-Z SCO

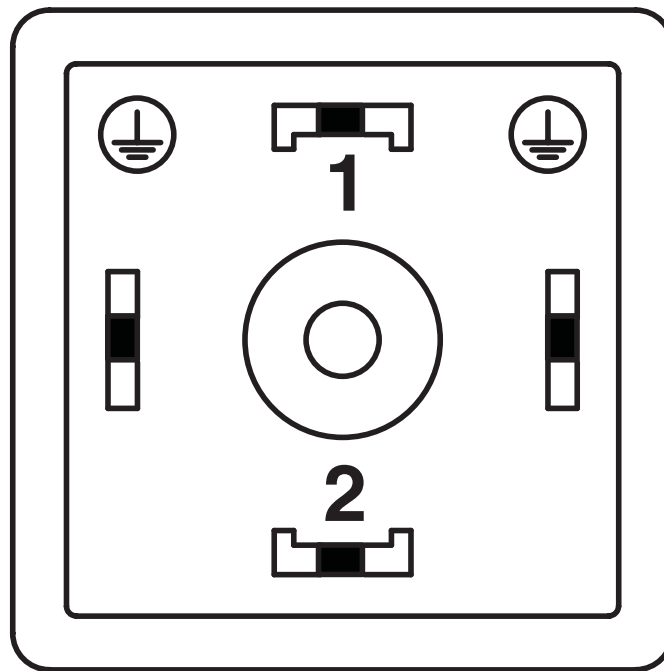
1458538

<https://www.phoenixcontact.com/de/produkte/1458538>



## Drawings

Schematic diagram



Valve connector pin assignment, type A

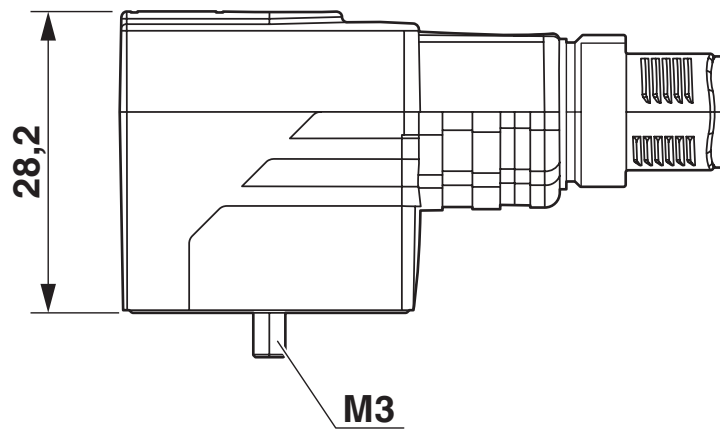
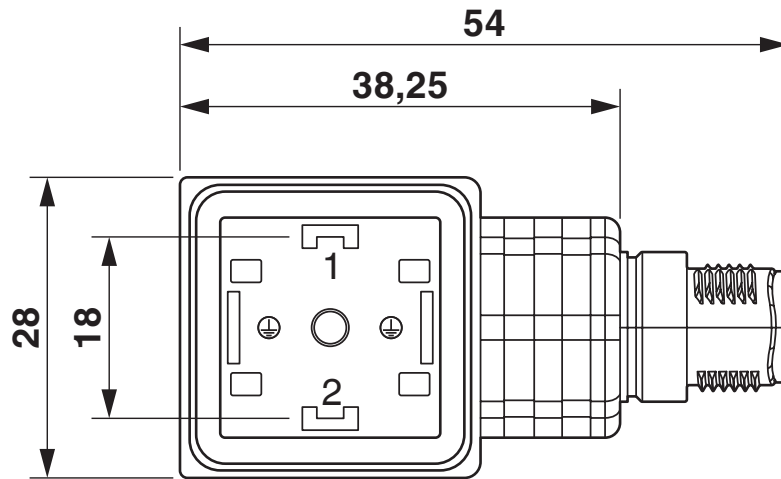
# Valve connectors - SAC-3P-MR/A-1L-Z SCO

1458538

<https://www.phoenixcontact.com/de/produkte/1458538>



Dimensional drawing



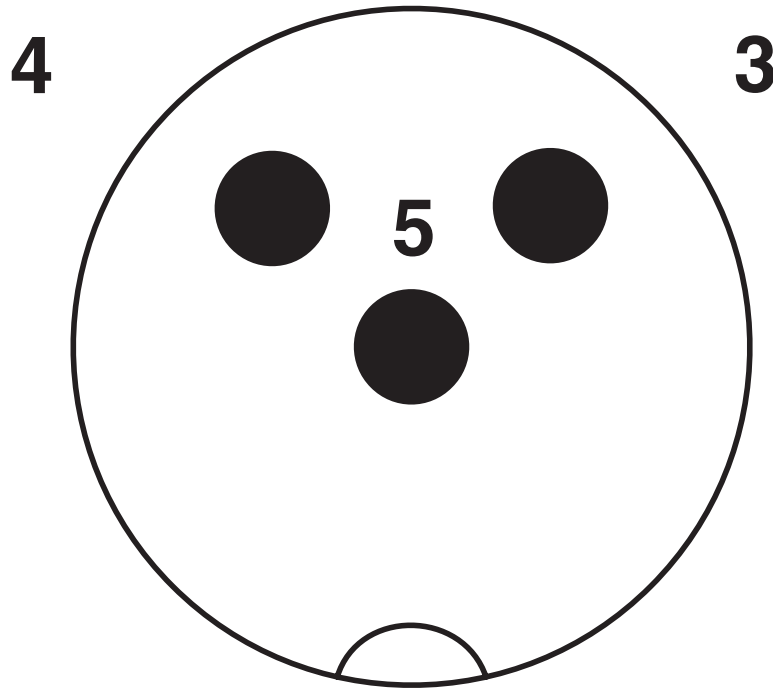
# Valve connectors - SAC-3P-MR/A-1L-Z SCO

1458538

<https://www.phoenixcontact.com/de/produkte/1458538>

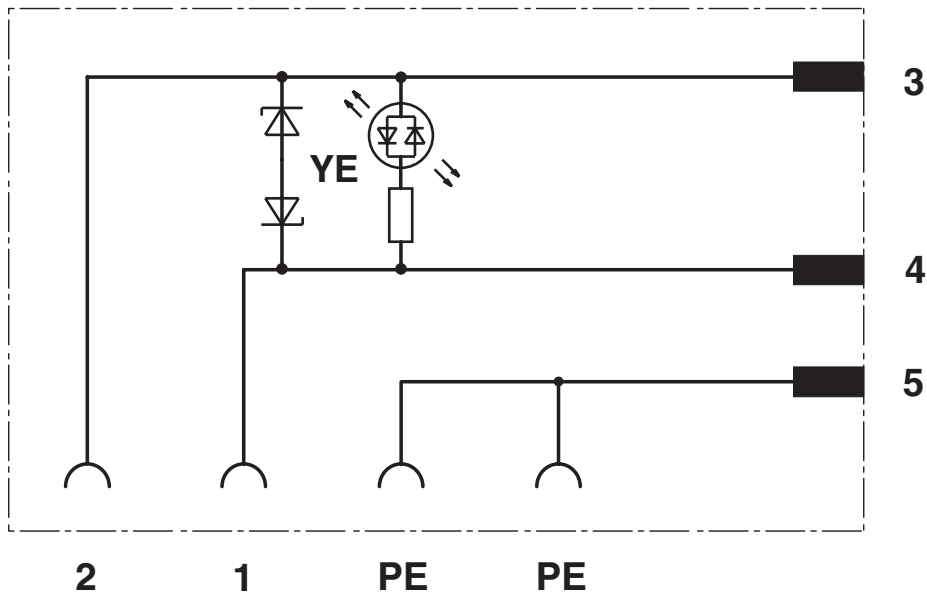


Schematic diagram



Pin assignment M12 plug, 3-pos., A-coded, view male side

Circuit diagram



# Valve connectors - SAC-3P-MR/A-1L-Z SCO



1458538

<https://www.phoenixcontact.com/de/produkte/1458538>

## Approvals

**DNV**

Approval ID: TAE00002K4

**EAC**

**EAC**

Approval ID: RU C-DE.AI30.B.01102

**EAC**

**EAC**

Approval ID: RU C-DE.BL08.B.00511



# Valve connectors - SAC-3P-MR/A-1L-Z SCO



1458538

<https://www.phoenixcontact.com/de/produkte/1458538>

## Classifications

### ECLASS

ECLASS-9.0	27440105
ECLASS-10.0.1	27440105
ECLASS-11.0	27440105

### ETIM

ETIM 8.0	EC003623
----------	----------

### UNSPSC

UNSPSC 21.0	31251500
-------------	----------

# Valve connectors - SAC-3P-MR/A-1L-Z SCO



1458538

<https://www.phoenixcontact.com/de/produkte/1458538>

## Environmental Product Compliance

China RoHS	Environmentally Friendly Use Period = 50 years For information on hazardous substances, refer to the manufacturer's declaration available under "Downloads"
------------	--

# Valve connectors - SAC-3P-MR/A-1L-Z SCO

1458538

<https://www.phoenixcontact.com/de/produkte/1458538>

## Accessories

### Torque screwdriver

Torque screwdriver - TSD-M 1,2NM - 1212224

<https://www.phoenixcontact.com/de/produkte/1212224>



Torque screw driver, accuracy as per EN ISO 6789 standard, adjustable from 0.3 - 1.2 Nm

---

### Screw insert

Screw insert - SF-BIT-PH 1-70 - 1212582

<https://www.phoenixcontact.com/de/produkte/1212582>



Screw bit, PH crosshead, E6.3-1/4" drive, size: PH 1 x 70 mm, hardened, suitable for holder according to DIN 3126-F6.3/ISO 1173

# Valve connectors - SAC-3P-MR/A-1L-Z SCO

1458538

<https://www.phoenixcontact.com/de/produkte/1458538>

## Connecting cable

Connecting cable - SAC-3P-FS SCO V/.../... - 1406702

<https://www.phoenixcontact.com/de/produkte/1406702>



Connecting cable, 3-position, Variable cable type, free cable end, on Socket straight M12 SPEEDCON, coding: A, cable length: Free input (0.2 ... 40.0 m), for valve plug adapters

---

## Sensor/actuator cable

Sensor/actuator cable - SAC-3P-M12MS/3,0-PUR/M12FS 345 - 1402560

<https://www.phoenixcontact.com/de/produkte/1402560>



Sensor/actuator cable, 3-position, PUR halogen-free, black-gray RAL 7021, Plug straight M12, coding: A, on Socket straight M12, coding: A, cable length: 3 m, For valve connector

# Valve connectors - SAC-3P-MR/A-1L-Z SCO

1458538

<https://www.phoenixcontact.com/de/produkte/1458538>

## Sensor/actuator cable

Sensor/actuator cable - SAC-3P-M12MS/5,0-PUR/M12FS 345 - 1402561

<https://www.phoenixcontact.com/de/produkte/1402561>



Sensor/actuator cable, 3-position, PUR halogen-free, black-gray RAL 7021, Plug straight M12, coding: A, on Socket straight M12, coding: A, cable length: 5 m, For valve connector

---

## Sensor/actuator cable

Sensor/actuator cable - SAC-3P-M12MS/10,0-PUR/M12FS 345 - 1402562

<https://www.phoenixcontact.com/de/produkte/1402562>



Sensor/actuator cable, 3-position, PUR halogen-free, black-gray RAL 7021, Plug straight M12, coding: A, on Socket straight M12, coding: A, cable length: 10 m, For valve connector

---

Phoenix Contact 2022 © - all rights reserved  
<https://www.phoenixcontact.com>

PHOENIX CONTACT Deutschland GmbH  
Flachsmarktstraße 8  
D-32825 Blomberg  
+49 52 35/3-1 20 00  
[info@phoenixcontact.de](mailto:info@phoenixcontact.de)