

Panel feed-through - SACC-E-M12MS-5CON-PG9/0,5



1671111

<https://www.phoenixcontact.com/pc/products/1671111>

Please be informed that the data shown in this PDF document is generated from our Online Catalog. Please find the complete data in the user documentation. Our General Terms of Use for Downloads are valid.



Sensor/Actuator flush-type plug, 5-pos., M12, A-coded, front/screw mounting with Pg9 thread, with 0.5 m TPE litz wire, 5 x 0.34 mm²

Your advantages

- Pre-assembled with litz wires for immediate use
- Customer-specific assemblies and litz wire lengths available
- Sealed on the litz wire side for optimum leak-tightness
- All standard pin assignments and codings for signal, data, and power transmission with a uniform design-in design
- For high transmission safety: shield connection to the housing with optional EMC nut

1671111

<https://www.phoenixcontact.com/pc/products/1671111>

Commercial Data

Item number	1671111
Packing unit	1 pc
Minimum order quantity	1 pc
Note	Made to Order (non-returnable)
Sales Key	02
Product Key	ABQCDA
Catalog Page	Page 35 (C-2-2019)
GTIN	4017918134969
Weight per Piece (including packing)	21.5 g
Weight per Piece (excluding packing)	20.8 g
Customs tariff number	85366990
Country of origin	DE

Technical Data

Notes

Notes on operation	<p>The electrical and mechanical data specified assume that the connector pair is correctly locked and mounted. If the connector is unlocked and if there is a danger of contamination, the connector must be sealed using a protective cap > IP54. Influences arising from litz wires, cables or PCB assembly must also be taken into consideration.</p>
Safety note	<p>WARNING: The connectors may not be plugged in or disconnected under load. Ignoring the warning or improper use may damage persons and/or property.</p> <ul style="list-style-type: none"> • WARNING: Commission properly functioning products only. The products must be regularly inspected for damage. Decommission defective products immediately. Replace damaged products. Repairs are not possible. • WARNING: Only electrically qualified personnel may install and operate the product. They must observe the following safety notes. The qualified personnel must be familiar with the basics of electrical engineering. They must be able to recognize and prevent danger. The relevant symbol on the packaging indicates that only personnel familiar with electrical engineering are allowed to install and operate the product. • The products are suitable for applications in plant, controller, and electrical device engineering. • When operating the connectors in outdoor applications, they must be separately protected against environmental influences. • Assembled products may not be manipulated or improperly opened. • Only use mating connectors that are specified in the technical data of the standards listed (e.g. the ones listed in the product accessories online at phoenixcontact.com/products). • When using the product in direct connection with third-party manufacturers, the user is responsible. • For operating voltages > 50 V AC, conductive connector housings must be grounded • Ensure that when laying the cable, the tensile load on the connectors does not exceed the upper limit specified in the standards. • Observe the corresponding technical data. You will find information: <ul style="list-style-type: none"> o On the product o On the packing label o In the supplied documentation o Online at phoenixcontact.com/products under the product • Only use tools recommended by Phoenix Contact • Use a protective cap to protect connectors that are not in use. The suitable accessories are available online in the accessory section of the product at phoenixcontact.com/products • Ensure that the protective or functional ground has been properly connected.

1671111

<https://www.phoenixcontact.com/pc/products/1671111>

	<ul style="list-style-type: none"> • VDE 0100/1.97 § 411.1.3.2 and DIN EN 60 204/11.98 § 14.1.3 are applicable when combining several circuits in a cable and/or connector • The connector warms up in normal operation. Depending on the ambient conditions, the surface of the connector can continue to warm up. In this case, the user is responsible for posting warnings (e.g. DIN EN ISO 13732-1:2008-12).
--	-------------------------------------------------------------------------------------------------------------------------------------------------------------------------------------------------------------------------------------------------------------------------------------------------------------------------------------------------------------------------------------------------------------------------------------------

Product properties

Product type	Circular connectors (device side)
Number of positions	5
No. of cable outlets	1
Shielded	no
Coding	A - standard

Insulation characteristics

Overvoltage category	II
Degree of pollution	3

Ambient conditions

Degree of protection	IP67
Degree of protection	IP67
Ambient temperature (operation)	-25 °C ... 85 °C (Plug / socket)
	-40 °C ... 85 °C (without mechanical actuation)
	-25 °C ... 85 °C (Cable, flexible installation)
	-40 °C ... 85 °C (cable, fixed installation)

Connector

Insertion/withdrawal cycles	> 100
-----------------------------	-------

Header 1

Head design	Plug
Head cable outlet	straight
Head thread type	M12
Coding	A-coded

Electrical properties

Rated surge voltage	1.5 kV
Contact resistance	≤ 3 mΩ
Insulation resistance	> 100 MΩ
Nominal voltage U_N	60 V
Nominal current I_N	4 A

Material specifications

Flammability rating according to UL 94	V0
Sealing material	FKM
Contact material	CuZn

Panel feed-through - SACC-E-M12MS-5CON-PG9/0,5



1671111

<https://www.phoenixcontact.com/pc/products/1671111>

Contact surface material	Ni/Au
Contact carrier material	PA 6.6
Cable gland material	Zinc die-cast, nickel-plated

Connection data

Conductor connection

Connection method	Individual wires
-------------------	------------------

Mounting

Mounting type	Front mounting
---------------	----------------

Standards and regulations

Standards/specifications	IEC 61076-2-101
--------------------------	-----------------

Cable / line

Cable length	0.5 m
--------------	-------

Cable structure

Cable type	TPE litz wire
Signal type/category	Universal
Conductor material	Tin-plated Cu litz wires
Conductor structure signal line	7x 0.25 mm
AWG signal line	22
Material wire insulation	TPE
Thickness, insulation	0.21 mm
Wire diameter incl. insulation	1.2 mm ±0.07 mm
Single wire, color	Black, brown, blue, white, gray

Electrical properties

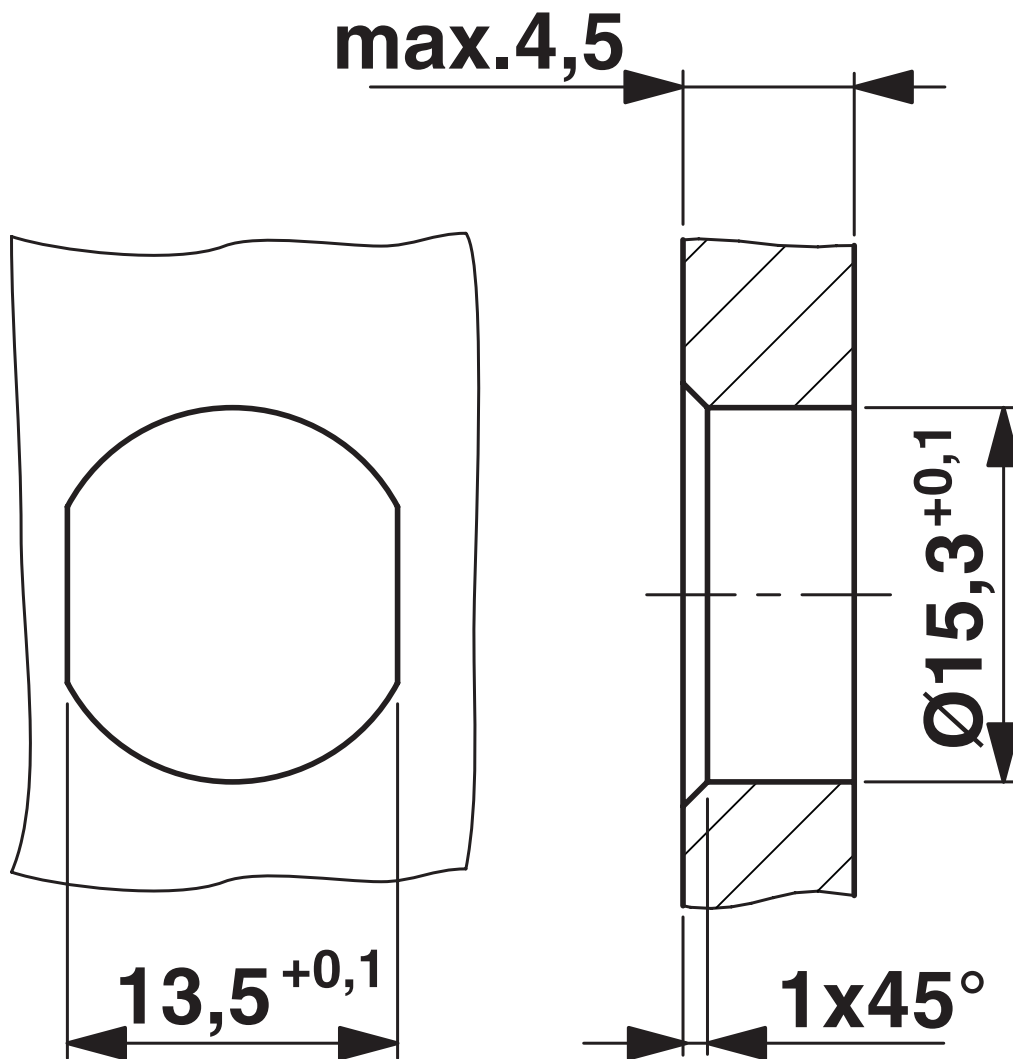
Nominal voltage, cable	300 V
Test voltage, cable	2000 V AC
Conductor resistance	≤ 57.6 Ω/km
Cable insulation resistance	≥ 20 MΩ*km

Ambient conditions

Ambient temperature (operation)	-25 °C ... 85 °C (Cable, flexible installation)
	-40 °C ... 85 °C (cable, fixed installation)

Drawings

Dimensional drawing



Housing cutout for Pg9 fastening thread, mounting panel with feed-through hole (alternatively with surface as protection against rotation)

1671111

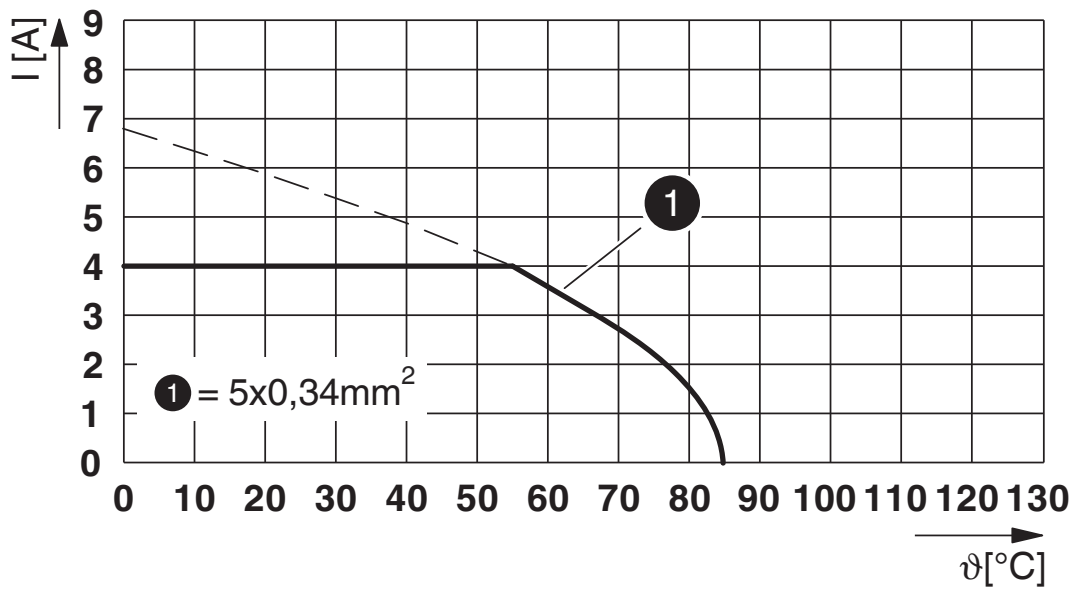
<https://www.phoenixcontact.com/pc/products/1671111>

Circuit diagram



Contact assignment of the M12 plug and the M12 socket

Diagram



I = current strength, T = ambient temperature

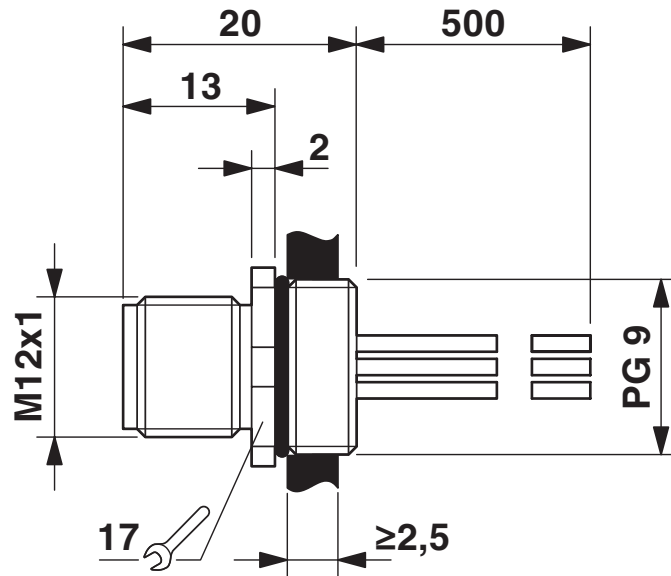
Panel feed-through - SACC-E-M12MS-5CON-PG9/0,5

1671111

<https://www.phoenixcontact.com/pc/products/1671111>

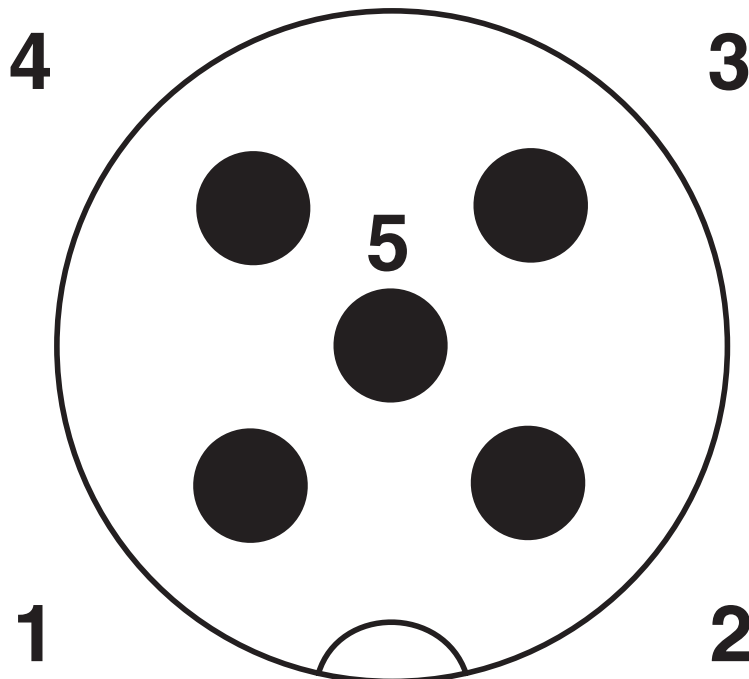


Dimensional drawing



M12 flush-type plug

Schematic diagram

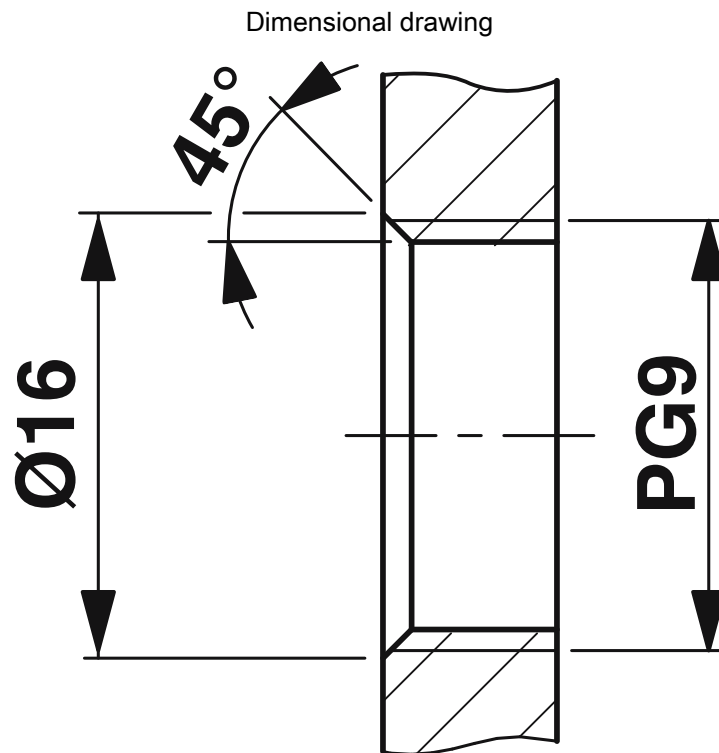


Pin assignment M12 male connector, 5-pos., A-coded, male side

Panel feed-through - SACC-E-M12MS-5CON-PG9/0,5

1671111

<https://www.phoenixcontact.com/pc/products/1671111>





Housing cutout for Pg9 fastening thread, mounting panel with thread

1671111


<https://www.phoenixcontact.com/pc/products/1671111>

Approvals

 cUL Recognized Approval ID: FILE E 118976				
	Nominal Voltage U_N	Nominal Current I_N	Cross Section AWG	Cross Section mm^2
	60 V	4 A	- 22	-

 UL Recognized Approval ID: FILE E 118976				
	Nominal Voltage U_N	Nominal Current I_N	Cross Section AWG	Cross Section mm^2
	60 V	4 A	- 22	-

 EAC Approval ID: B.01687				
----------------------------------------------------------------------------------------------------------------------	--	--	--	--

 cULus Recognized Approval ID: E221474-20140616				
	Nominal Voltage U_N	Nominal Current I_N	Cross Section AWG	Cross Section mm^2
	60 V	4 A	22 - 20	-

cULus Recognized				
-------------------------	--	--	--	--

1671111

<https://www.phoenixcontact.com/pc/products/1671111>

Classifications

ECLASS

ECLASS-9.0	27440102
ECLASS-10.0.1	27440102
ECLASS-11.0	27440102

ETIM

ETIM 8.0	EC002635
----------	----------

UNSPSC

UNSPSC 21.0	39121400
-------------	----------

1671111

<https://www.phoenixcontact.com/pc/products/1671111>

Environmental Product Compliance

China RoHS	Environmentally friendly use period: unlimited = EFUP-e
	No hazardous substances above threshold values

1671111

<https://www.phoenixcontact.com/pc/products/1671111>

Accessories

Flat gasket

Flat gasket - SACC-PG9-SEAL CLM - 1556320

<https://www.phoenixcontact.com/pc/products/1556320>

Pg9 flat gasket, for M12 flush-type connectors with Pg9 fastening thread



Flat nut

Flat nut - SACC-E-MU-PG9 - 1504084

<https://www.phoenixcontact.com/pc/products/1504084>

Flat nut with Pg9 thread



1671111

<https://www.phoenixcontact.com/pc/products/1671111>

Flat nut

Flat nut - SACC-M16-NUT-VA - 1404983

<https://www.phoenixcontact.com/pc/products/1404983>

Flat nut with M16 thread



Sealing cap

Sealing cap - PROT-M12 FS - 1560251

<https://www.phoenixcontact.com/pc/products/1560251>

M12 sealing cap for unoccupied M12 plugs of the sensor/actuator cable, flush-type plugs and I/O devices in the field



1671111

<https://www.phoenixcontact.com/pc/products/1671111>

Sealing cap

Sealing cap - PROT-M12 FS-M - 1430488

<https://www.phoenixcontact.com/pc/products/1430488>



M12 metal sealing cap for unoccupied M12 plugs of the sensor/actuator cable, flush-type plugs and I/O devices in the field

Phoenix Contact 2022 © - all rights reserved

<https://www.phoenixcontact.com>

PHOENIX CONTACT GmbH & Co. KG

Flachsmarktstraße 8

D-32825 Blomberg

+49 (0) 5235-3 00

info@phoenixcontact.com