

# Sealing cap - PROT-M12 FS-PA-CHAIN



1430873

<https://www.phoenixcontact.com/pc/products/1430873>

Please be informed that the data shown in this PDF document is generated from our Online Catalog. Please find the complete data in the user documentation. Our General Terms of Use for Downloads are valid.

---

M12 sealing cap made of plastic with fixing band, for sensor cables, for free M12 plugs



# Sealing cap - PROT-M12 FS-PA-CHAIN



1430873

<https://www.phoenixcontact.com/pc/products/1430873>

## Commercial Data

Item number	1430873
Packing unit	5 pc
Minimum order quantity	5 pc
Product Key	BF1ZAX
Catalog Page	Page 55 (C-2-2019)
GTIN	4046356332842
Weight per Piece (including packing)	5.21 g
Weight per Piece (excluding packing)	4.6 g
Customs tariff number	39269097
Country of origin	DE

# Sealing cap - PROT-M12 FS-PA-CHAIN



1430873

<https://www.phoenixcontact.com/pc/products/1430873>

## Technical Data

### Product properties

Product type	Protective cap
Thread type	M12

### Material specifications

Color	black
Material	PA 6.6 GF
Material	PUR (Holding band)
Flammability rating according to UL 94	V0
Sealing material	NBR

### Environmental and real-life conditions

#### Ambient conditions

Degree of protection	IP65
	IP67
Ambient temperature (operation)	-25 °C ... 85 °C

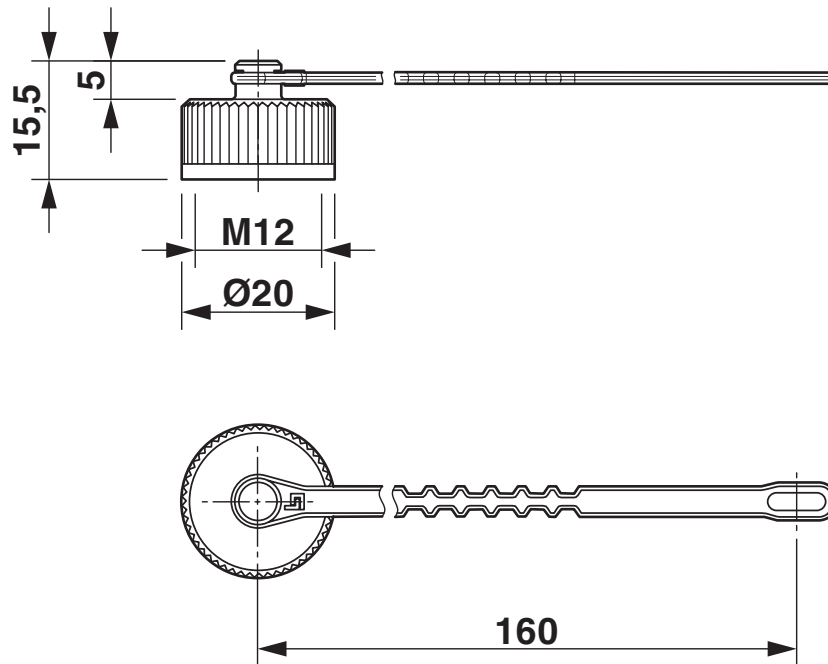
# Sealing cap - PROT-M12 FS-PA-CHAIN

1430873

<https://www.phoenixcontact.com/pc/products/1430873>

## Drawings

Dimensional drawing



Dimensional drawing

# Sealing cap - PROT-M12 FS-PA-CHAIN



1430873

<https://www.phoenixcontact.com/pc/products/1430873>

## Classifications

### ECLASS

ECLASS-9.0	23111190
ECLASS-11.0	23111190
ECLASS-10.0.1	23111190

### ETIM

ETIM 8.0	EC000032
----------	----------

### UNSPSC

UNSPSC 21.0	31261500
-------------	----------

# Sealing cap - PROT-M12 FS-PA-CHAIN



1430873

<https://www.phoenixcontact.com/pc/products/1430873>

## Environmental Product Compliance

China RoHS	Environmentally friendly use period: unlimited = EFUP-e No hazardous substances above threshold values
------------	---

Phoenix Contact 2022 © - all rights reserved  
<https://www.phoenixcontact.com>

PHOENIX CONTACT GmbH & Co. KG  
Flachmarktstraße 8  
D-32825 Blomberg  
+49 (0) 5235-3 00  
[info@phoenixcontact.com](mailto:info@phoenixcontact.com)