

Connector - SACC-M12MS-8CON-PG9-M



1513334

<https://www.phoenixcontact.com/pc/products/1513334>

Please be informed that the data shown in this PDF document is generated from our Online Catalog. Please find the complete data in the user documentation. Our General Terms of Use for Downloads are valid.



Connector, Universal, 8-position, Plug straight M12, Coding: A, Screw connection, knurl material: Nickel-plated brass, cable gland Pg9, external cable diameter 6 mm ... 8 mm

Your advantages

- Safe use in the field, thanks to a high degree of protection
- Screw connection: proven connection technology for a large selection of different conductors

Connector - SACC-M12MS-8CON-PG9-M



1513334

<https://www.phoenixcontact.com/pc/products/1513334>

Commercial Data

| | |
|--------------------------------------|--------------------|
| Item number | 1513334 |
| Packing unit | 1 pc |
| Minimum order quantity | 1 pc |
| Product Key | BF2CAA |
| Catalog Page | Page 22 (C-2-2019) |
| GTIN | 4017918910938 |
| Weight per Piece (including packing) | 28.3 g |
| Weight per Piece (excluding packing) | 22.7 g |
| Customs tariff number | 85366990 |
| Country of origin | CN |

Connector - SACC-M12MS-8CON-PG9-M



1513334

<https://www.phoenixcontact.com/pc/products/1513334>

Technical Data

Notes

Assembly instruction:

NOTE: Observe the permissible bending radii when laying conductors, since the degree of protection may be put in jeopardy if the bending forces are too high. Alleviate mechanical loads upstream of the connector, e.g. by using cable ties.

Product properties

| | |
|----------------------|---------------------------------|
| Product type | Circular connector (cable-side) |
| Number of positions | 8 |
| No. of cable outlets | 1 |
| Shielded | no |
| Coding | A - standard |
| Cable outlet | straight |
| Pg screw connection | Pg9 |

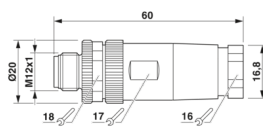
Insulation characteristics

| | |
|----------------------|----|
| Overvoltage category | II |
| Degree of pollution | 3 |

Ambient conditions

| | |
|---------------------------------|----------------------------------|
| Degree of protection | IP67 |
| Ambient temperature (operation) | -40 °C ... 85 °C (Plug / socket) |

Dimensions

| | |
|---------------------|--|
| Dimensional drawing |  |
| Width | 20 mm |
| Height | 20 mm |
| Length | 60 mm |

External dimensions

| | |
|------------------|---------------|
| Outside diameter | 6 mm ... 8 mm |
|------------------|---------------|

Housing

| | |
|------------------|-------|
| Diameter housing | 20 mm |
|------------------|-------|

Connector

| | |
|-----------------------------|-------|
| Insertion/withdrawal cycles | ≥ 100 |
|-----------------------------|-------|

Header 1

| | |
|-------------|------|
| Head design | Plug |
|-------------|------|

Connector - SACC-M12MS-8CON-PG9-M



1513334

<https://www.phoenixcontact.com/pc/products/1513334>

| | |
|-----------------------------|------------------|
| Head cable outlet | straight |
| Head thread type | M12 |
| Coding | A-coded |
| Number of positions | 8 |
| Coding | A - standard |
| Insertion/withdrawal cycles | ≥ 100 |
| Connection method | Screw connection |
| Contact material | CuZn |
| Contact surface material | Au |
| Number of positions | 8 |
| Coding | A - standard |
| Insertion/withdrawal cycles | ≥ 100 |
| Connection method | Screw connection |
| Contact material | CuZn |
| Contact surface material | Au |

Electrical properties

| | |
|--------------------------------|--------------------|
| Rated surge voltage | 0.8 kV |
| Contact resistance | ≤ 8 mΩ |
| Insulation resistance | ≥ 100 MΩ |
| Nominal voltage U _N | 30 V AC 30 V DC |
| Nominal current I _N | 2 A |

Material specifications

| | |
|--|---------------------|
| Color | black |
| Flammability rating according to UL 94 | HB |
| Sealing material | Silicon |
| Material of grip body | PBT |
| Contact material | CuZn |
| Contact surface material | Au |
| Contact carrier material | PA |
| Cable gland material | Nickel-plated brass |

Connection data

Conductor connection

| | |
|----------------------------------|--|
| Connection method | Screw connection |
| Conductor cross section flexible | 0.25 mm ² ... 0.5 mm ² |
| Cross section AWG | 24 ... 20 |

Standards and regulations

| | |
|--------------------------|-----------------|
| Standards/specifications | IEC 61076-2-101 |
|--------------------------|-----------------|

Cable / line

Connector - SACC-M12MS-8CON-PG9-M



1513334

<https://www.phoenixcontact.com/pc/products/1513334>

Cable structure

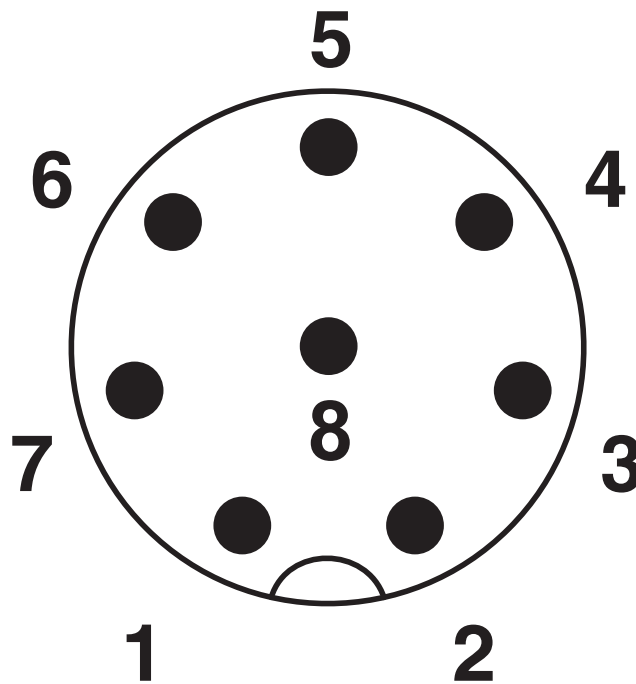
| | |
|---|-----------|
| Signal type/category | Universal |
| Stripping length of the individual wire | 5 mm |

1513334

<https://www.phoenixcontact.com/pc/products/1513334>

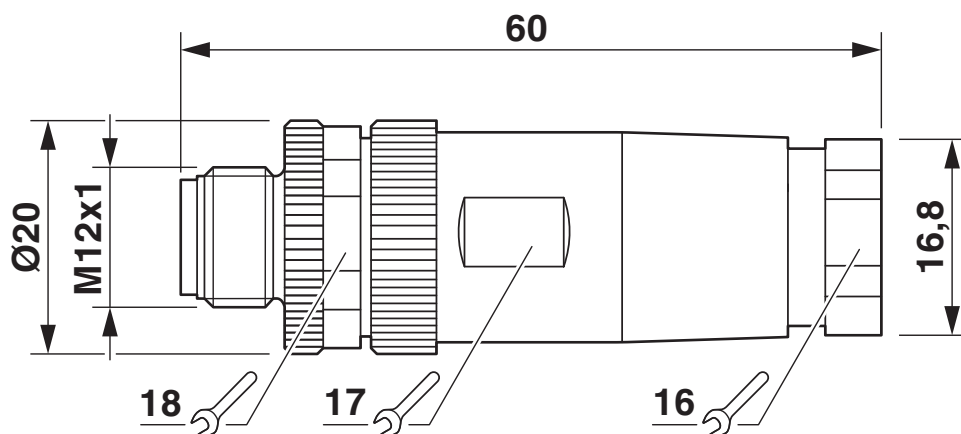
Drawings

Schematic diagram



Pin assignment M12 plug, 8-pos., A-coded, view plug side

Dimensional drawing



Plug, M12 x 1, straight

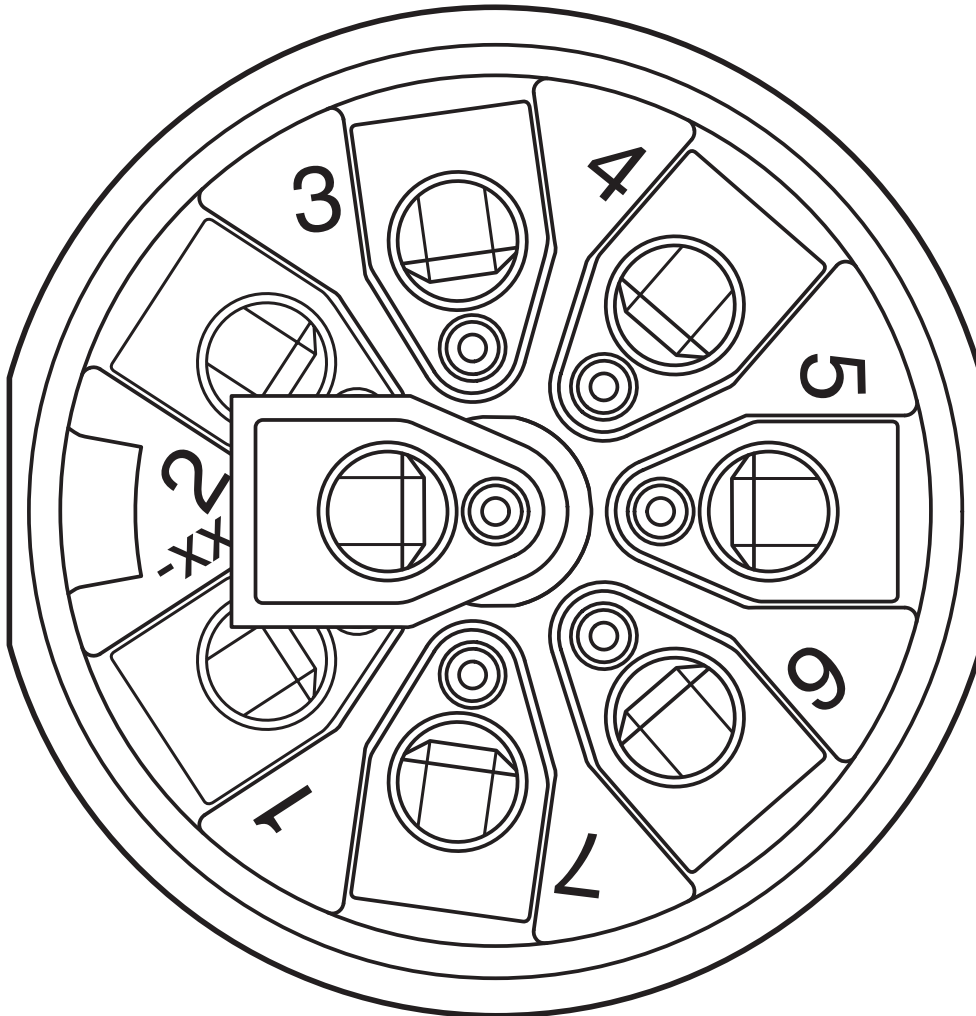
Connector - SACC-M12MS-8CON-PG9-M



1513334

<https://www.phoenixcontact.com/pc/products/1513334>

Schematic diagram



Cable connection side M12 (screw connection)

Connector - SACC-M12MS-8CON-PG9-M




1513334

<https://www.phoenixcontact.com/pc/products/1513334>

Approvals

|  cUL Recognized Approval ID: FILE E 221474 | | | | |
|---|-----------------------|-----------------------|-------------------|-----------------------------|
| | Nominal Voltage U_N | Nominal Current I_N | Cross Section AWG | Cross Section mm^2 |
| | 30 V | 2 A | - | - |

|  UL Recognized Approval ID: FILE E 221474 | | | | |
|--|-----------------------|-----------------------|-------------------|-----------------------------|
| | Nominal Voltage U_N | Nominal Current I_N | Cross Section AWG | Cross Section mm^2 |
| | 30 V | 2 A | - | - |

cULus Recognized

Connector - SACC-M12MS-8CON-PG9-M



1513334

<https://www.phoenixcontact.com/pc/products/1513334>

Classifications

ECLASS

| | |
|---------------|----------|
| ECLASS-10.0.1 | 27440102 |
| ECLASS-9.0 | 27440102 |
| ECLASS-11.0 | 27440102 |

ETIM

| | |
|----------|----------|
| ETIM 8.0 | EC002635 |
|----------|----------|

UNSPSC

| | |
|-------------|----------|
| UNSPSC 21.0 | 39121400 |
|-------------|----------|

Connector - SACC-M12MS-8CON-PG9-M



1513334

<https://www.phoenixcontact.com/pc/products/1513334>

Environmental Product Compliance

| | |
|------------|--|
| REACH SVHC | Lead 7439-92-1 |
| China RoHS | Environmentally Friendly Use Period = 50 years |
| | For information on hazardous substances, refer to the manufacturer's declaration available under "Downloads" |

Connector - SACC-M12MS-8CON-PG9-M



1513334

<https://www.phoenixcontact.com/pc/products/1513334>

Accessories

Cable reel

Cable reel - SAC-8P-100,0-PUR/0,25 - 1550630

<https://www.phoenixcontact.com/pc/products/1550630>



By the meter, Cable reel, PUR halogen-free, black-gray RAL 7021, 8-wire, color single wire: white, brown, green, yellow, gray, pink, blue, red, cable length: 100 m

Screwdriver

Screwdriver - SZS 0,4X2,0 - 1205202

<https://www.phoenixcontact.com/pc/products/1205202>



Micro screwdriver, bladed, size: 0.4 x 2.0 x 60 mm, 2-component grip, with non-slip grip and twist cap

Connector - SACC-M12MS-8CON-PG9-M

1513334

<https://www.phoenixcontact.com/pc/products/1513334>

Ferrule

Ferrule - A 0,25- 5 - 3202465

<https://www.phoenixcontact.com/pc/products/3202465>

Ferrule, length: 5 mm, color: silver



Stripping tool

Stripping tool - WIREFOX SAC - 1212623

<https://www.phoenixcontact.com/pc/products/1212623>

Stripping pliers, for halogen-free sensor/actuator cables (SAC cables), with PUR and PVC insulation, from Ø of 4.4 to 7 mm, any stripping length



Connector - SACC-M12MS-8CON-PG9-M

1513334

<https://www.phoenixcontact.com/pc/products/1513334>

Stripping tool

Stripping tool - VS-CABLE-STRIP-VARIO - 1657407

<https://www.phoenixcontact.com/pc/products/1657407>

Stripping tool, for the multi-level stripping of shielded cables



Torque screwdriver

Torque screwdriver - TSD 04 SAC - 1208429

<https://www.phoenixcontact.com/pc/products/1208429>

Torque screwdriver, with preset torque of 0.4 Nm and 4 mm hexagonal drive for M12 connectors



Connector - SACC-M12MS-8CON-PG9-M



1513334

<https://www.phoenixcontact.com/pc/products/1513334>

Torque screwdriver

Torque screwdriver - TSD-M 1,2NM - 1212224

<https://www.phoenixcontact.com/pc/products/1212224>



Torque screw driver, accuracy as per EN ISO 6789 standard, adjustable from 0.3 - 1.2 Nm

Adapter insert

Adapter insert - TSD-M SAC-BIT ADAPTER - 1212600

<https://www.phoenixcontact.com/pc/products/1212600>



Adapter bit for TSD-M...torque tools, E6.3-1/4" drive with 4 mm hexagon to accommodate SAC bits

Connector - SACC-M12MS-8CON-PG9-M

1513334

<https://www.phoenixcontact.com/pc/products/1513334>

Sealing cap

Sealing cap - PROT-M12 FS-PA-CHAIN - 1430873

<https://www.phoenixcontact.com/pc/products/1430873>

M12 sealing cap made of plastic with fixing band, for sensor cables, for free M12 plugs



Crimping pliers

Crimping pliers - CRIMPFOX 6H - 1212046

<https://www.phoenixcontact.com/pc/products/1212046>

Crimping pliers, for ferrules without insulating collar according to DIN 46228 Part 1 and ferrules with insulating collar according to DIN 46228 Part 4, 0.14 mm² ... 6 mm², unlockable pressure lock, lateral entry



Connector - SACC-M12MS-8CON-PG9-M



1513334

<https://www.phoenixcontact.com/pc/products/1513334>

Tool

Tool - SACC BIT M12-D20 - 1208445

<https://www.phoenixcontact.com/pc/products/1208445>

Nut for assembling M12 connectors for assembly with a knurl diameter of 20 mm, for 4 mm hexagonal drive



Phoenix Contact 2022 © - all rights reserved

<https://www.phoenixcontact.com>

PHOENIX CONTACT GmbH & Co. KG

Flachsmarktstraße 8

D-32825 Blomberg

+49 (0) 5235-3 00

info@phoenixcontact.com