

# Housing - HC-EVO-B06-BWS-PLRBK



1407621

<https://www.phoenixcontact.com/pc/products/1407621>

Please be informed that the data shown in this PDF document is generated from our Online Catalog. Please find the complete data in the user documentation. Our General Terms of Use for Downloads are valid.

---



HEAVYCON EVO panel mounting base, plastic, B6, with single locking latch, height: 30.5 mm, with flat gasket

---

## Your advantages

- Lower costs than metal version
- Low weight
- Lower risk of condensation

# Housing - HC-EVO-B06-BWS-PLRBK



1407621

<https://www.phoenixcontact.com/pc/products/1407621>

## Commercial Data

Item number	1407621
Packing unit	1 pc
Minimum order quantity	1 pc
Product Key	BF7APL
Catalog Page	Page 598 (C-2-2019)
GTIN	4046356776837
Weight per Piece (including packing)	66.4 g
Weight per Piece (excluding packing)	64.4 g
Customs tariff number	85389099
Country of origin	PL

# Housing - HC-EVO-B06-BWS-PLRBK



1407621

<https://www.phoenixcontact.com/pc/products/1407621>

## Technical Data

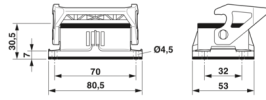
### Notes

General	For contact inserts HC-B6, BB10, DD24, M. Not for D series terminal adapters.
---------	---

### Product properties

Type	B6
Product type	Housing with locking latch
Application	Standard
Housing type	Panel mounting base
Locking type	with single locking latch
Pg screw connection	none

### Dimensions

Dimensional drawing	
Width	53 mm
Height	30.5 mm
Length	80.5 mm
Drill hole distance, horizontal	70 mm
Drill hole distance, vertical	32 mm
Hole diameter	4.5 mm

### Installation dimensions

Width of the assembly cutout	35 mm
Length of the assembly cutout	52 mm

### Material specifications

Color	black
Flammability rating according to UL 94	V0 (Housing) V0 (Interlock)
Sealing material	NBR (profile gasket) NBR (Flat gasket)
Locking latch material	PA
Impact strength	IK08
Housing material	PA

### Ambient conditions

Degree of protection	IP66
Degree of protection	12 (UL 50e)
Impact strength	IK08

# Housing - HC-EVO-B06-BWS-PLRBK



1407621

<https://www.phoenixcontact.com/pc/products/1407621>

Ambient temperature (operation)	-40 °C ... 125 °C
---------------------------------	-------------------

## Connector

Application	Standard
Type of locking	with single locking latch
Housing material	PA
Application	Standard

## Mechanical properties

### Mechanical data

Locking type	Latch
--------------	-------

## Mounting

Assembly instructions	Not for D series terminal adapters
	Not for HC-B 24-ADP-B..... adapter plates

# Housing - HC-EVO-B06-BWS-PLRBK

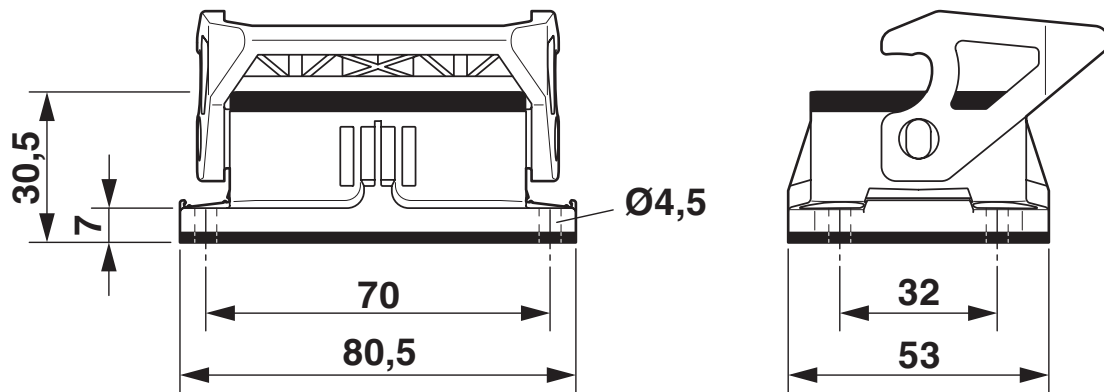


1407621

<https://www.phoenixcontact.com/pc/products/1407621>

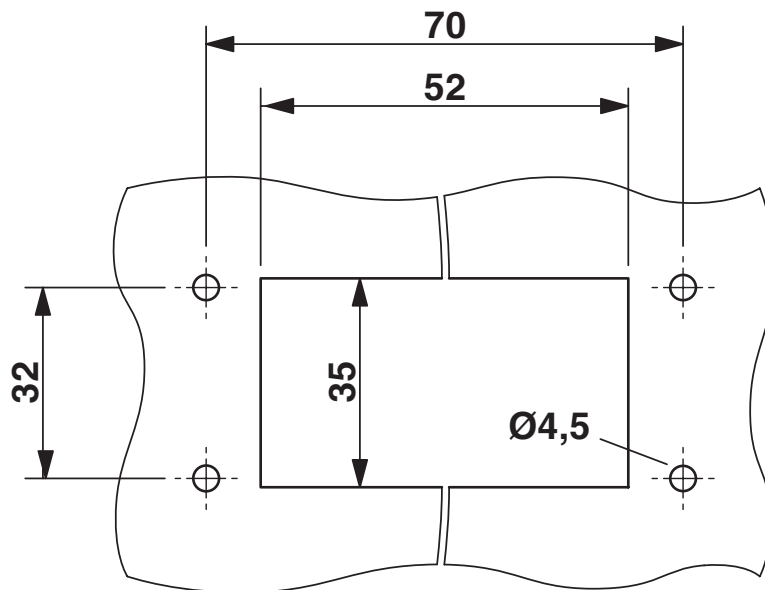
## Drawings

Dimensional drawing



Dimensional drawing

Dimensional drawing



Mounting cutout

1407621

<https://www.phoenixcontact.com/pc/products/1407621>

## Approvals

**DNV**

Approval ID: TAE000037S



**cUL Recognized**

Approval ID: E255026



**UL Recognized**

Approval ID: E255026



**EAC**

Approval ID: RU C-DE.AI30.B.01102



**EAC**

Approval ID: RU C-DE.BL08.B.00511

**cULus Recognized**

1407621

<https://www.phoenixcontact.com/pc/products/1407621>

## Classifications

### ECLASS

ECLASS-10.0.1	27440202
ECLASS-9.0	27440202
ECLASS-11.0	27440202

### ETIM

ETIM 8.0	EC000437
----------	----------

### UNSPSC

UNSPSC 21.0	31261500
-------------	----------

# Housing - HC-EVO-B06-BWS-PLRBK



1407621

<https://www.phoenixcontact.com/pc/products/1407621>

## Environmental Product Compliance

China RoHS	Environmentally friendly use period: unlimited = EFUP-e
	No hazardous substances above threshold values



# Housing - HC-EVO-B06-BWS-PLRBK



1407621

<https://www.phoenixcontact.com/pc/products/1407621>

## Accessories

### Snap-in markers

Snap-in markers - US-EMP (20X9) - 0829439

<https://www.phoenixcontact.com/pc/products/0829439>

Snap-in markers, Card, white, unlabeled, can be labeled with: BLUEMARK ID COLOR, BLUEMARK ID, THERMOMARK PRIME, THERMOMARK CARD 2.0, THERMOMARK CARD, mounting type: snap in, lettering field size: 20 x 9 mm, Number of individual labels: 70



---

### Profile gasket

Profile gasket - HC-B06-SP-RBK - 1407706

<https://www.phoenixcontact.com/pc/products/1407706>

Profile gasket for HEAVYCON EVO supporting base element type B6



# Housing - HC-EVO-B06-BWS-PLRBK

1407621

<https://www.phoenixcontact.com/pc/products/1407621>

## Protective cover

Protective cover - HC-B06-BC-HI-PLBK - 1407692

<https://www.phoenixcontact.com/pc/products/1407692>

Protective cover B6, for single locking latch, protective cover material: PC, height: 19 mm, seal: no



---

## Flat gasket

Flat gasket - HC-B06-SG-RBK - 1407702

<https://www.phoenixcontact.com/pc/products/1407702>

Replacement flat gasket, for HEAVYCON EVO panel mounting base type B6



# Housing - HC-EVO-B06-BWS-PLRBK



1407621

<https://www.phoenixcontact.com/pc/products/1407621>

## Housing brackets

Housing brackets - HC-B06-SL-PLBK - 1407697

<https://www.phoenixcontact.com/pc/products/1407697>



Replacement single locking latch for HEAVYCON EVO housing type B6, PA

---

Phoenix Contact 2022 © - all rights reserved

<https://www.phoenixcontact.com>

PHOENIX CONTACT GmbH & Co. KG

Flachsmarktstraße 8

D-32825 Blomberg

+49 (0) 5235-3 00

[info@phoenixcontact.com](mailto:info@phoenixcontact.com)