

Sensor/actuator box - SACB-8/16- 5,0PUR OD



1457364

<https://www.phoenixcontact.com/de/produkte/1457364>

Please be informed that the data shown in this PDF document is generated from our Online Catalog. Please find the complete data in the user documentation. Our General Terms of Use for Downloads are valid.



Sensor/actuator box, application: External areas, connection method: M12 socket Metal, number of slots: 8, number of positions: 5, coding: A - standard, slot assignment: Double, status display: No, Universal; master cable connection: Fixed connection 180°, PUR/PVC, cable length: 5 m, shielding: no

Your advantages

- Safety in the field, thanks to molded housing and high degree of protection
- Save space: distributor box with double occupancy for two sensors in one slot

Sensor/actuator box - SACB-8/16- 5,0PUR OD



1457364

<https://www.phoenixcontact.com/de/produkte/1457364>

Commercial Data

Item number	1457364
Packing unit	1 pc
Minimum order quantity	1 pc
Sales Key	C1 - Sensor-Aktor-Kabel
Product Key	BF3EBA
Catalog Page	Page 160 (C-4-2013)
GTIN	4046356620833
Weight per Piece (including packing)	1.394 g
Weight per Piece (excluding packing)	1.220,4 g
Customs tariff number	85444290
Country of origin	DE

Technical Data

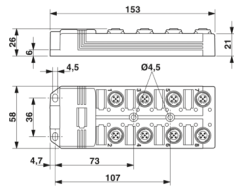
Notes

Assembly instruction:	NOTE: Observe the permissible bending radii when laying conductors, since the degree of protection may be put in jeopardy if the bending forces are too high. Alleviate mechanical loads upstream of the connector, e.g. by using cable ties.
Note on application	Unused slots are to be sealed off prior to commissioning. Suitable sealing elements are to be found under "Accessories".

Product properties

Product type	Distributor boxes with M8 to M12 slots
Number of positions	5
Application	External areas
Number of slots	8
Coding	A - standard

Dimensions

Dimensional drawing	
Width	58 mm
Height	26 mm
Length	153 mm

Ambient conditions

Degree of protection	IP65
	IP67
	IP69K
Ambient temperature (operation)	-30 °C ... 90 °C

LED signaling

Status display present	No
------------------------	----

Electrical properties

Max. operating voltage U_{max}	135 V
Nominal voltage U_N	120 V AC
	120 V DC
Rated current, total	12 A
Max. current carrying capacity per path	2 A
Current carrying capacity per slot	4 A

Sensor/actuator box - SACB-8/16- 5,0PUR OD



1457364

<https://www.phoenixcontact.com/de/produkte/1457364>

Connection data

Pin assignment

Slot/position = Wire color or connection	
	1 / 4 (A) = WH
	1 / 2 (B) = GYPK
	2 / 4 (A) = GN
	2 / 2 (B) = RDBU
	3 / 4 (A) = YE
	3 / 2 (B) = WHGN
	4 / 4 (A) = GY
	4 / 2 (B) = BNGN
	5 / 4 (A) = PK
	5 / 2 (B) = WHYE
	6 / 4 (A) = RD
	6 / 2 (B) = YEBN
	7 / 4 (A) = BK
	7 / 2 (B) = WHGY
	8 / 4 (A) = VT
	8 / 2 (B) = GYBN
	1-8 / 1 (+ 120 V) = BN
	1-8 / 3 (0 V) = BU
	1-8 / 5 (PE) = GNYE

Material specifications

Color	black
Material of threaded sleeve	Zinc die-cast
Material of threaded sleeve surface	tin-plated
Contact material	Cu alloy
Contact surface material	gold-plated
Contact carrier material	PA
O-ring material	FPM
Material of the moulding mass	PUR
Housing material	PBT

Cable / line

Cable length	5 m
Cable weight	183.7 kg/km
UL AWM Style	20549 (80°C/300 V)
Number of positions	19
Shielded	no
Cable type	PUR/PVC black [PUR]
Conductor structure signal line	28x 0.15 mm
AWG signal line	20
Conductor cross section	16x 0.5 mm ² (Signal line)

Sensor/actuator box - SACB-8/16- 5,0PUR OD



1457364

<https://www.phoenixcontact.com/de/produkte/1457364>

	3x 1 mm ² (power line)
Wire diameter incl. insulation	1.5 mm ±0.1 mm (Signal line)
	2.1 mm ±0.1 mm (power line)
External cable diameter	10.5 mm ±0.2 mm
Outer sheath, material	PUR
External sheath, color	black RAL 9005
Conductor material	Bare Cu litz wires
Material wire insulation	PVC
Single wire, color	brown, blue, green/yellow, white, green, yellow, gray, pink, red, black, violet, gray/pink, red/blue, white/green, brown/green, white/yellow, yellow/brown, white/gray, gray/brown
Inner sheath thickness	≥ 0.15 mm
Thickness, outer sheath	≥ 0.76 mm
Overall twist	Wires twisted in layers
Nominal voltage, cable	300 V
Test voltage	2000 V
Minimum bending radius, fixed installation	7.5 x D
Minimum bending radius, flexible installation	10 x D
Max. bending cycles	1500000
Flame resistance	according to DIN EN 50265
Resistance to oil	according to VDE 0472 Part 803
Other resistance	Highly resistant to acids, alkaline solutions and solvents
Special properties	Silicone-free
Ambient temperature (operation)	-40 °C ... 90 °C (cable, fixed installation)
	-5 °C ... 80 °C (Cable, flexible installation)

Master cable data/connection data

Sensor/actuator connection system	M12 socket
Connection method	Fixed connection
Tightening torque slot sensor/actuator cable	0.4 Nm

Ambient conditions

Ambient temperature (operation)	-40 °C ... 90 °C (cable, fixed installation)
	-5 °C ... 80 °C (Cable, flexible installation)

Standards and regulations

M12

Standards/specifications	IEC 61076-2-101
--------------------------	-----------------

Sensor/actuator box - SACB-8/16- 5,0PUR OD

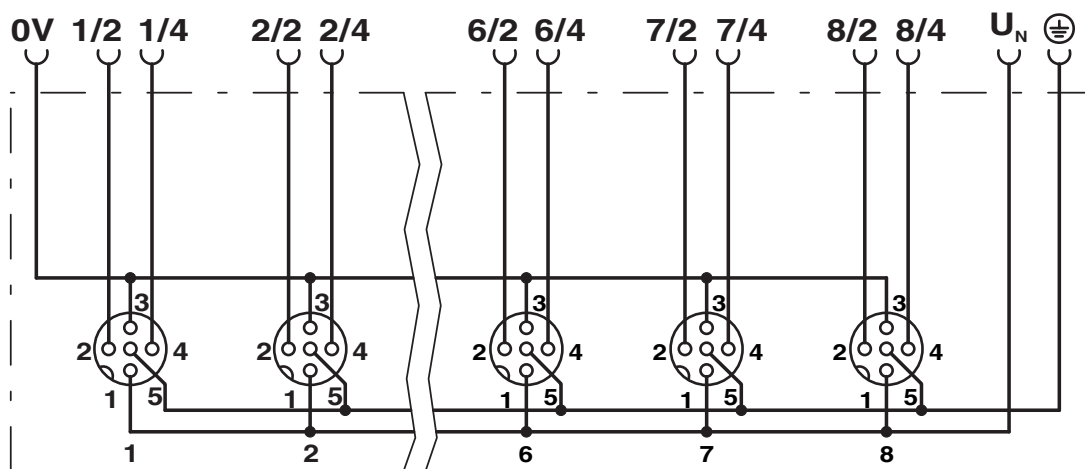


1457364

<https://www.phoenixcontact.com/de/produkte/1457364>

Drawings

Circuit diagram

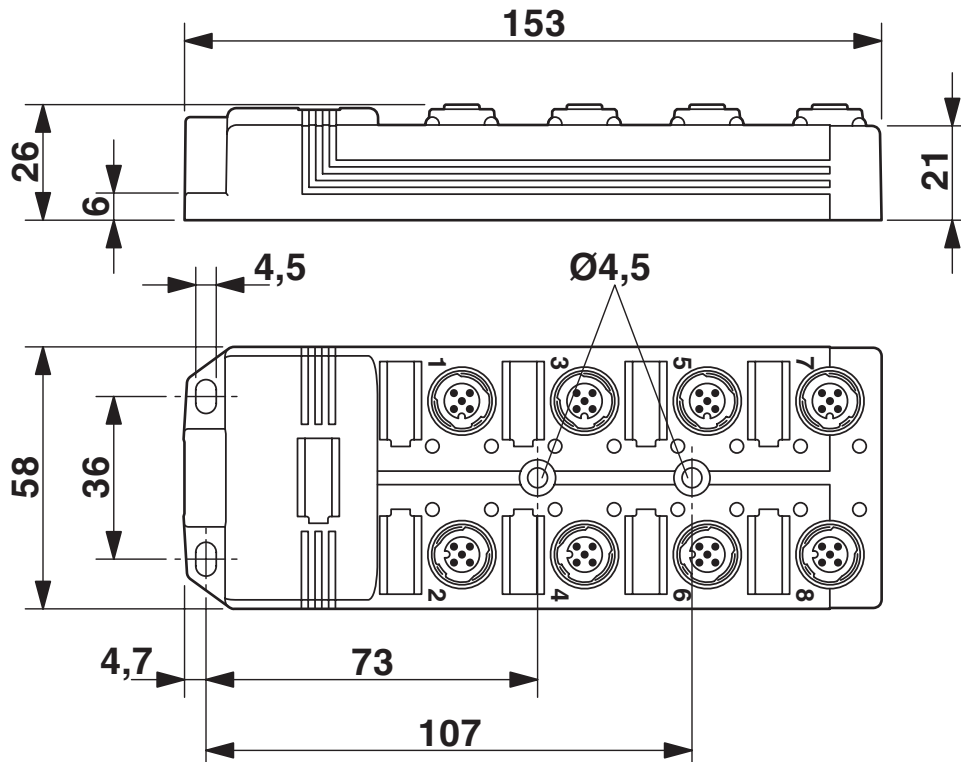


Sensor/actuator box - SACB-8/16- 5,0PUR OD

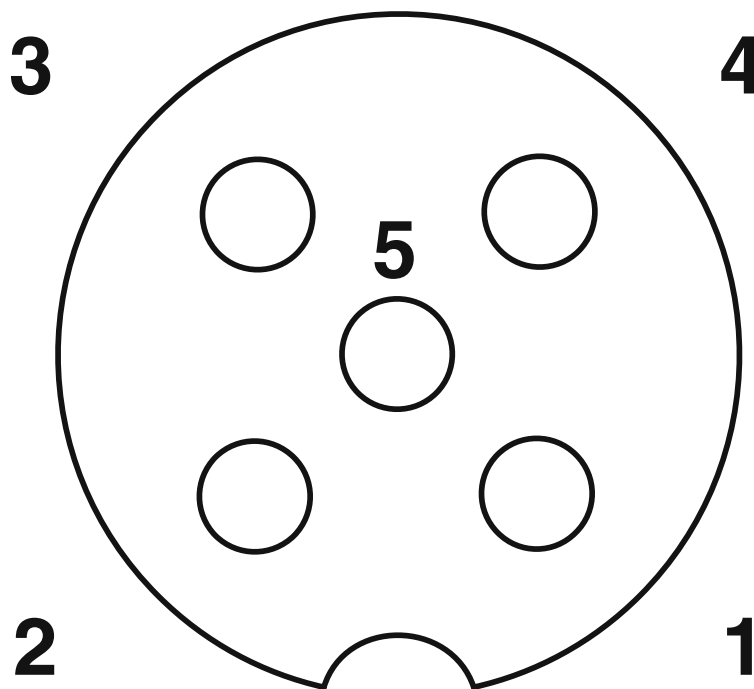
1457364

<https://www.phoenixcontact.com/de/produkte/1457364>

Dimensional drawing



Schematic diagram



M12 slot, socket, 5-pos.

Sensor/actuator box - SACB-8/16- 5,0PUR OD



1457364

<https://www.phoenixcontact.com/de/produkte/1457364>

Approvals

DNV

Approval ID: TAE00002K4



EAC

Approval ID: RU C-DE.BL08.B.00286



EAC

Approval ID: RU C-DE.BL08.B.00511

Sensor/actuator box - SACB-8/16- 5,0PUR OD



1457364

<https://www.phoenixcontact.com/de/produkte/1457364>

Classifications

ECLASS

ECLASS-10.0.1	27440108
ECLASS-9.0	27440108
ECLASS-11.0	27440108

ETIM

ETIM 8.0	EC002585
----------	----------

UNSPSC

UNSPSC 21.0	31251500
-------------	----------

Sensor/actuator box - SACB-8/16- 5,0PUR OD



1457364

<https://www.phoenixcontact.com/de/produkte/1457364>

Environmental Product Compliance

China RoHS	Environmentally Friendly Use Period = 50 years For information on hazardous substances, refer to the manufacturer's declaration available under "Downloads"
------------	--

Sensor/actuator box - SACB-8/16- 5,0PUR OD



1457364

<https://www.phoenixcontact.com/de/produkte/1457364>

Accessories

Screw plug

Screw plug - PROT-M12 FB - 1555538

<https://www.phoenixcontact.com/de/produkte/1555538>



M12 high-grade steel screw plug, for unoccupied M12 sockets of the sensor/actuator cables, boxes and flush-type connectors for the food industry

Torque screwdriver

Torque screwdriver - TSD 04 SAC - 1208429

<https://www.phoenixcontact.com/de/produkte/1208429>



Torque screwdriver, with preset torque of 0.4 Nm and 4 mm hexagonal drive for M12 connectors

Sensor/actuator box - SACB-8/16- 5,0PUR OD



1457364

<https://www.phoenixcontact.com/de/produkte/1457364>

Tool

Tool - SAC BIT M12-W14 - 1212513

<https://www.phoenixcontact.com/de/produkte/1212513>

Nut for assembling sensor/actuator cables with M12 connector and M12 connectors for assembly, with a hexagonal knurl wrench size of 14 mm, with 4 mm hexagonal drive



Phoenix Contact 2022 © - all rights reserved

<https://www.phoenixcontact.com>

PHOENIX CONTACT Deutschland GmbH

Flachsmarktstraße 8

D-32825 Blomberg

+49 52 35/3-1 20 00

info@phoenixcontact.de