

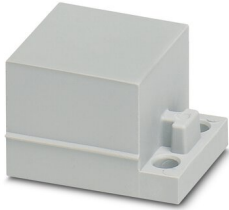
Blind sleeve - CES-STPG-GY

0801715

<https://www.phoenixcontact.com/pc/products/0801715>

Please be informed that the data shown in this PDF document is generated from our Online Catalog. Please find the complete data in the user documentation. Our General Terms of Use for Downloads are valid.

Small blind sleeve, material: SEBS



Product Description

Blind sleeves seal feed-through sections that are not required in CES sealing frames

Blind sleeve - CES-STPG-GY



0801715

<https://www.phoenixcontact.com/pc/products/0801715>

Commercial Data

Item number	0801715
Packing unit	10 pc
Minimum order quantity	10 pc
Product Key	BF7CCX
Catalog Page	Page 680 (C-2-2019)
GTIN	4046356675161
Weight per Piece (including packing)	8.15 g
Weight per Piece (excluding packing)	8.15 g
Customs tariff number	40169997
Country of origin	PL

Blind sleeve - CES-STPG-GY

0801715

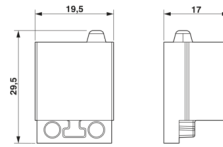
<https://www.phoenixcontact.com/pc/products/0801715>

Technical Data

Product properties

Product type	Cable sleeve
No. of conductors	0

Dimensions

Dimensional drawing	
Width	19.5 mm
Height	17 mm
Length	29.5 mm

Material specifications

Color	gray
Material	SEBS
Material	SEBS (halogen-free)
Flammability rating according to UL 94	V0

Connector

Seal size	small
Material	SEBS
Material	SEBS

Characteristics

Conductor sealing range	Blind sleeve
-------------------------	--------------

Environmental and real-life conditions

Ambient conditions

Degree of protection	IP54 (Observe the assembly instructions)
Ambient temperature (operation)	-40 °C ... 80 °C (static)

Mounting

Assembly instructions	IP54: for vertical sealing frame mounting/for horizontal sealing frame mounting (downward cable outlet direction).
-----------------------	--

Blind sleeve - CES-STPG-GY

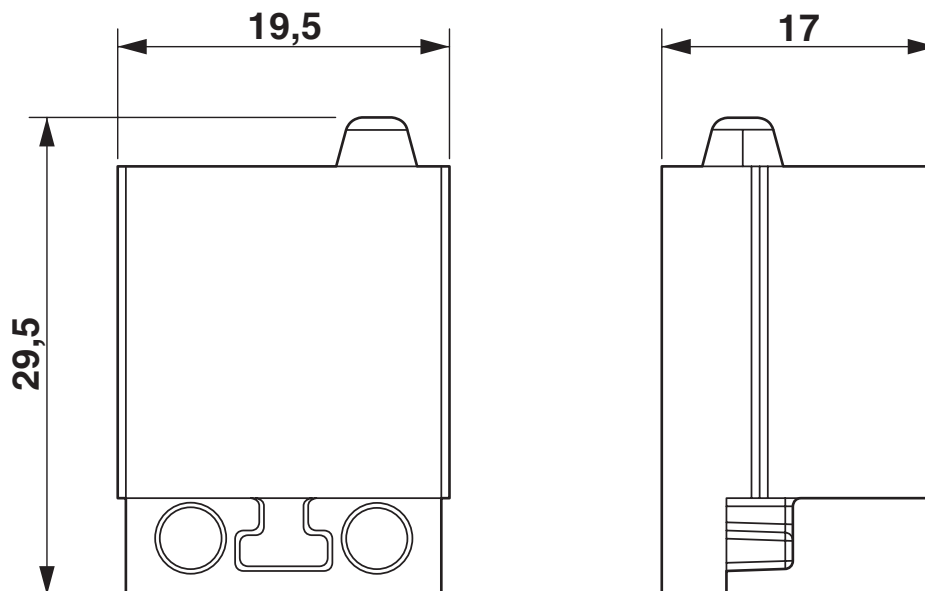
0801715

<https://www.phoenixcontact.com/pc/products/0801715>



Drawings

Dimensional drawing



Dimensional drawing

Blind sleeve - CES-STPG-GY



0801715

<https://www.phoenixcontact.com/pc/products/0801715>

Approvals



cUL Recognized

Approval ID: NITW8.E255026



UL Recognized

Approval ID: NITW2.E255026

DNV

Approval ID: TAE00003VJ

cULus Recognized

Blind sleeve - CES-STPG-GY



0801715

<https://www.phoenixcontact.com/pc/products/0801715>

Classifications

ECLASS

ECLASS-9.0	27144425
ECLASS-10.0.1	27144425
ECLASS-11.0	27144425

ETIM

ETIM 8.0	EC000451
----------	----------

UNSPSC

UNSPSC 21.0	39121400
-------------	----------

Blind sleeve - CES-STPG-GY



0801715

<https://www.phoenixcontact.com/pc/products/0801715>

Environmental Product Compliance

China RoHS	Environmentally friendly use period: unlimited = EFUP-e
	No hazardous substances above threshold values

Phoenix Contact 2022 © - all rights reserved
<https://www.phoenixcontact.com>

PHOENIX CONTACT GmbH & Co. KG
Flachmarktstraße 8
D-32825 Blomberg
+49 (0) 5235-3 00
info@phoenixcontact.com