

# Y distributor - SAC-3P-Y/2XM 8FS SCO



1523984

<https://www.phoenixcontact.com/de/produkte/1523984>

Please be informed that the data shown in this PDF document is generated from our Online Catalog. Please find the complete data in the user documentation. Our General Terms of Use for Downloads are valid.

---



Y distributor, 4-position, Plug straight M12 SPEEDCON, coding: A, on Socket straight M8, coding: A and Socket straight M8, coding: A

# Y distributor - SAC-3P-Y/2XM 8FS SCO



1523984

<https://www.phoenixcontact.com/de/produkte/1523984>

## Commercial Data

Item number	1523984
Packing unit	5 pc
Minimum order quantity	1 pc
Sales Key	C1 - Sensor-Aktor-Kabel
Product Key	BF1GAB
Catalog Page	Page 258 (C-2-2017)
GTIN	4046356115209
Weight per Piece (including packing)	14,386 g
Weight per Piece (excluding packing)	10,24 g
Customs tariff number	85366990
Country of origin	PL

# Y distributor - SAC-3P-Y/2XM 8FS SCO

1523984

<https://www.phoenixcontact.com/de/produkte/1523984>

## Technical Data

### Product properties

Product type	Y-distributor
Number of positions	4
No. of cable outlets	2
Shielded	no
Coding	A - standard
Thread type	M12 to M8

### Insulation characteristics

Overvoltage category	II
Degree of pollution	3

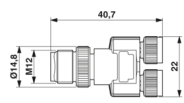
### Electrical properties

Insulation resistance	$\geq 100 \text{ M}\Omega$
Nominal voltage $U_N$	48 V AC
	60 V DC
Nominal current $I_N$	4 A

### LED signaling

Status display	No
Status display present	No

### Dimensions

Dimensional drawing	
Width	22 mm
Height	14.8 mm
Length	40.7 mm
Center distance	12 mm

### Material specifications

Flammability rating according to UL 94	HB
Sealing material	NBR
Material of grip body	TPU, hardly inflammable, self-extinguishing
Contact material	CuZn
Contact surface material	Ni/Au
Contact carrier material	TPU GF
Cable gland material	Zinc die-cast, nickel-plated

# Y distributor - SAC-3P-Y/2XM 8FS SCO



1523984

<https://www.phoenixcontact.com/de/produkte/1523984>

## Connector

Insertion/withdrawal cycles	≥ 100
-----------------------------	-------

### Header 1

Head design	Plug
Head cable outlet	straight
Head thread type	M12
Head locking type	SPEEDCON
Coding	A

### Head 2

Head design	Socket
Head cable outlet	straight
Head thread type	M8
Coding	A

## Environmental and real-life conditions

### Ambient conditions

Degree of protection	IP65
	IP67
Ambient temperature (operation)	-25 °C ... 90 °C (Plug / socket)

## Standards and regulations

### M12

Standards/specifications	IEC 61076-2-101
--------------------------	-----------------

### M12

Standards/specifications	IEC 61076-2-104
--------------------------	-----------------

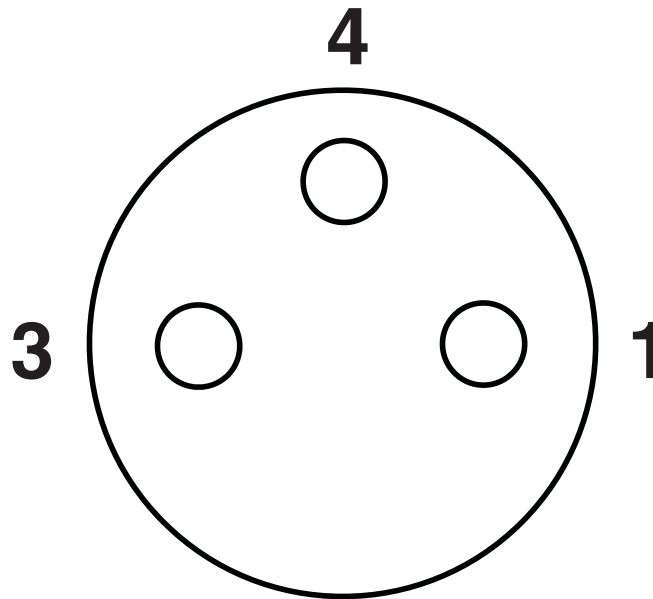
# Y distributor - SAC-3P-Y/2XM 8FS SCO

1523984

<https://www.phoenixcontact.com/de/produkte/1523984>

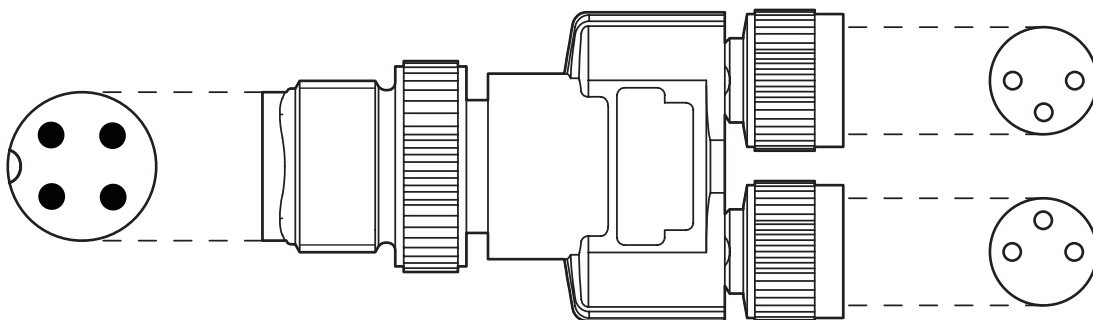
## Drawings

Schematic diagram



Pin assignment M8 socket, 3-pos., view female side

Schematic diagram



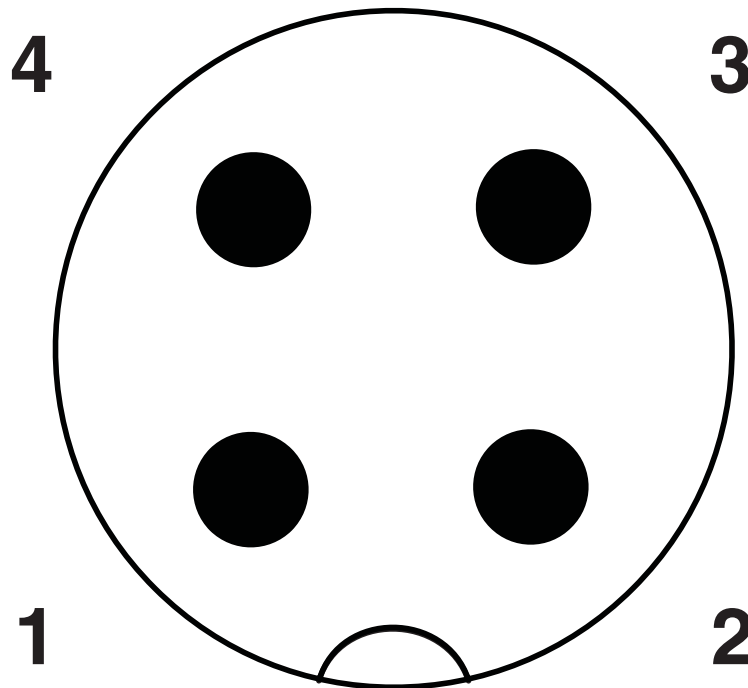
Layout of connector pin assignments

# Y distributor - SAC-3P-Y/2XM 8FS SCO

1523984

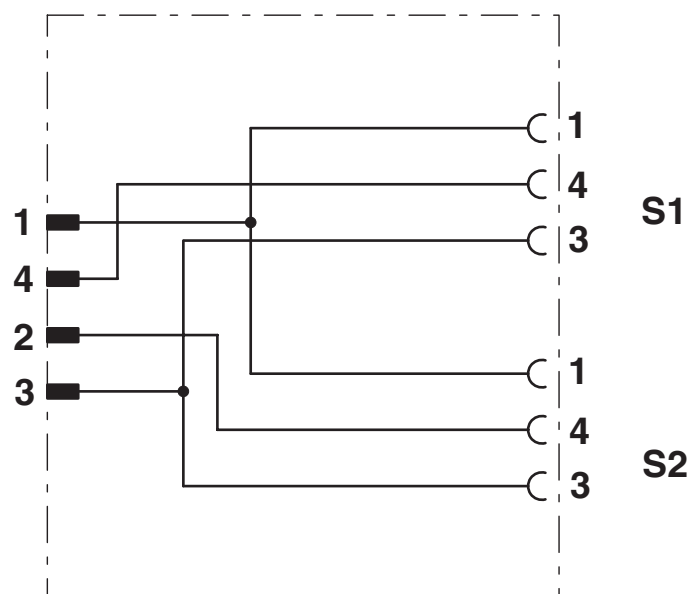
<https://www.phoenixcontact.com/de/produkte/1523984>

Schematic diagram



Pin assignment M12 plug, 4-pos., A-coded, view plug side

Circuit diagram



Contact assignment of the M12/M8 Y distributor

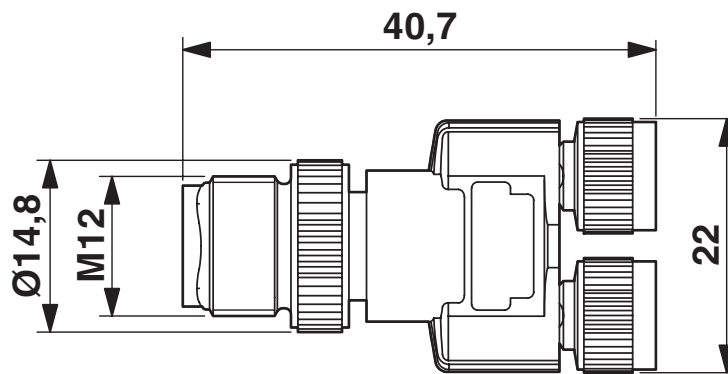
# Y distributor - SAC-3P-Y/2XM 8FS SCO

1523984

<https://www.phoenixcontact.com/de/produkte/1523984>



Dimensional drawing



M12 Y distributor

# Y distributor - SAC-3P-Y/2XM 8FS SCO



1523984

<https://www.phoenixcontact.com/de/produkte/1523984>

## Approvals



**EAC**

Approval ID: RU C-DE.AI30.B.01102



**EAC**

Approval ID: RU C-DE.BL08.B.00511



**UL Listed**

Approval ID: E221474

	Nominal Voltage $U_N$	Nominal Current $I_N$	Cross Section AWG	Cross Section $\text{mm}^2$
	30 V	4 A	-	-



**cUL Listed**

Approval ID: E221474

	Nominal Voltage $U_N$	Nominal Current $I_N$	Cross Section AWG	Cross Section $\text{mm}^2$
	30 V	4 A	-	-

**cULus Listed**



# Y distributor - SAC-3P-Y/2XM 8FS SCO



1523984

<https://www.phoenixcontact.com/de/produkte/1523984>

## Classifications

### ECLASS

ECLASS-9.0	27440106
ECLASS-10.0.1	27440106
ECLASS-11.0	27440106
ECLASS-12.0	27440106

### ETIM

ETIM 8.0	EC002925
----------	----------

### UNSPSC

UNSPSC 21.0	31251500
-------------	----------

# Y distributor - SAC-3P-Y/2XM 8FS SCO



1523984

<https://www.phoenixcontact.com/de/produkte/1523984>

## Environmental Product Compliance

REACH SVHC	Lead 7439-92-1
China RoHS	Environmentally Friendly Use Period = 50 years
	For information on hazardous substances, refer to the manufacturer's declaration available under "Downloads"

# Y distributor - SAC-3P-Y/2XM 8FS SCO

1523984

<https://www.phoenixcontact.com/de/produkte/1523984>

## Accessories

### Torque screwdriver

Torque screwdriver - TSD 04 SAC - 1208429

<https://www.phoenixcontact.com/de/produkte/1208429>



Torque screwdriver, with preset torque of 0.4 Nm and 4 mm hexagonal drive for M12 connectors

---

### Tool

Tool - SAC BIT M12-D15 - 1208432

<https://www.phoenixcontact.com/de/produkte/1208432>



Nut for assembling sensor/actuator cables with M12 connector and M12 connectors for assembly, with a knurl diameter of 15 mm, for 4 mm hexagonal drive

# Y distributor - SAC-3P-Y/2XM 8FS SCO

1523984

<https://www.phoenixcontact.com/de/produkte/1523984>

## Screw plug

Screw plug - PROT-MS SCO - 1553129

<https://www.phoenixcontact.com/de/produkte/1553129>



M12 screw plug with fast-locking system for unoccupied M12 female connectors of sensor/actuator cables, boxes, and flush-type connectors

---

## Torque screwdriver

Torque screwdriver - TSD 02 SAC - 1208487

<https://www.phoenixcontact.com/de/produkte/1208487>



Torque screwdriver, with preset torque of 0.2 Nm and 4 mm hexagonal drive for M8 connectors

# Y distributor - SAC-3P-Y/2XM 8FS SCO

1523984

<https://www.phoenixcontact.com/de/produkte/1523984>

## Tool

Tool - SAC BIT M8-D10 - 1208461

<https://www.phoenixcontact.com/de/produkte/1208461>



Nut for assembling M8 connectors with longitudinal knurl and a knurl diameter of 10 mm, for 4 mm hexagonal drive

---

## Screw plug

Screw plug - PROT-M8 - 1682540

<https://www.phoenixcontact.com/de/produkte/1682540>



An M8 screw plug for the unoccupied M8 sockets of the sensor/actuator cable, boxes and flush-type connectors

# Y distributor - SAC-3P-Y/2XM 8FS SCO

1523984

<https://www.phoenixcontact.com/de/produkte/1523984>

## Sealing cap

Sealing cap - PROT-M12 FS-PA-CHAIN - 1430873

<https://www.phoenixcontact.com/de/produkte/1430873>

M12 sealing cap made of plastic with fixing band, for sensor cables, for free M12 plugs



---

Phoenix Contact 2022 © - all rights reserved

<https://www.phoenixcontact.com>

PHOENIX CONTACT Deutschland GmbH

Flachsmarktstraße 8

D-32825 Blomberg

+49 52 35/3-1 20 00

[info@phoenixcontact.de](mailto:info@phoenixcontact.de)