

Y distributor - SAC-3P-M 8Y/2XM 8FS

1696183

<https://www.phoenixcontact.com/de/produkte/1696183>

Please be informed that the data shown in this PDF document is generated from our Online Catalog. Please find the complete data in the user documentation. Our General Terms of Use for Downloads are valid.



Y distributor, 4-position, unshielded, Plug straight M8, coding: A, on Socket straight M8, coding: A and Socket straight M8, coding: A

Y distributor - SAC-3P-M 8Y/2XM 8FS



1696183

<https://www.phoenixcontact.com/de/produkte/1696183>

Commercial Data

Item number	1696183
Packing unit	5 pc
Minimum order quantity	1 pc
Sales Key	C1 - Sensor-Aktor-Kabel
Product Key	BF1GAB
Catalog Page	Page 252 (C-2-2019)
GTIN	4017918181321
Weight per Piece (including packing)	10,58 g
Weight per Piece (excluding packing)	6,91 g
Customs tariff number	85366990
Country of origin	PL

Technical Data

Product properties

Product type	Y-distributor
Number of positions	4
No. of cable outlets	2
Shielded	no
Coding	A - standard
Thread type	M8

Insulation characteristics

Overvoltage category	II
Degree of pollution	3

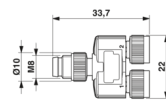
Electrical properties

Contact resistance	$\leq 5 \text{ m}\Omega$
Insulation resistance	$\geq 10 \text{ G}\Omega$
Nominal voltage U_N	30 V AC
	30 V DC
Nominal current I_N	4 A

LED signaling

Status display	No
Status display present	No

Dimensions

Dimensional drawing	
Width	22 mm
Height	10 mm
Length	33.7 mm
Center distance	12 mm

Material specifications

Flammability rating according to UL 94	HB
Sealing material	NBR
Material of grip body	TPU, hardly inflammable, self-extinguishing
Contact material	CuZn
Contact surface material	Ni/Au
Contact carrier material	TPU GF
Cable gland material	Zinc die-cast, nickel-plated

Y distributor - SAC-3P-M 8Y/2XM 8FS



1696183

<https://www.phoenixcontact.com/de/produkte/1696183>

Connector

Insertion/withdrawal cycles	≥ 100
-----------------------------	-------

Header 1

Head design	Plug
Head cable outlet	straight
Head thread type	M8
Coding	A

Header 2

Head design	Socket
Head cable outlet	straight
Head thread type	M8
Coding	A

Environmental and real-life conditions

Ambient conditions

Degree of protection	IP65
	IP67
Ambient temperature (operation)	-25 °C ... 90 °C (Plug / socket)

Standards and regulations

M8

Standards/specifications	IEC 61076-2-104
--------------------------	-----------------

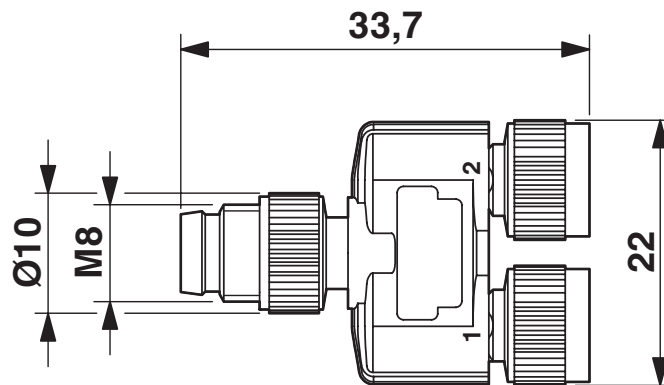
Y distributor - SAC-3P-M 8Y/2XM 8FS

1696183

<https://www.phoenixcontact.com/de/produkte/1696183>

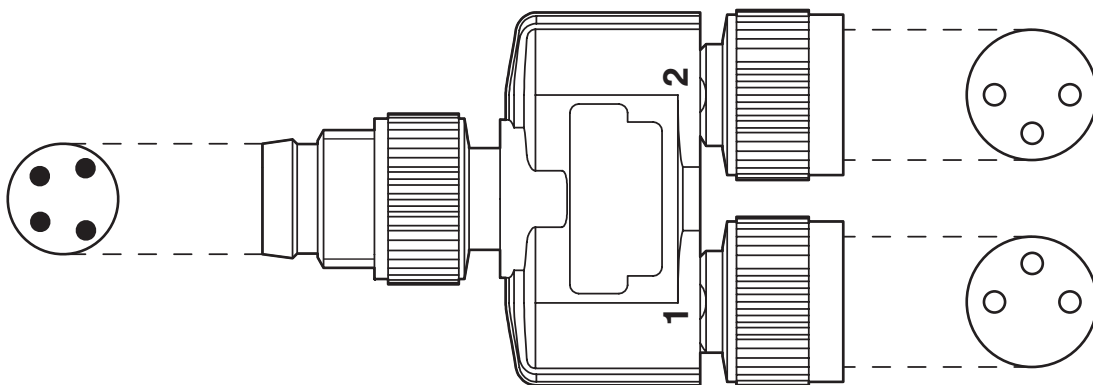
Drawings

Dimensional drawing



M8 Y distributor

Schematic diagram



Layout of connector pin assignments

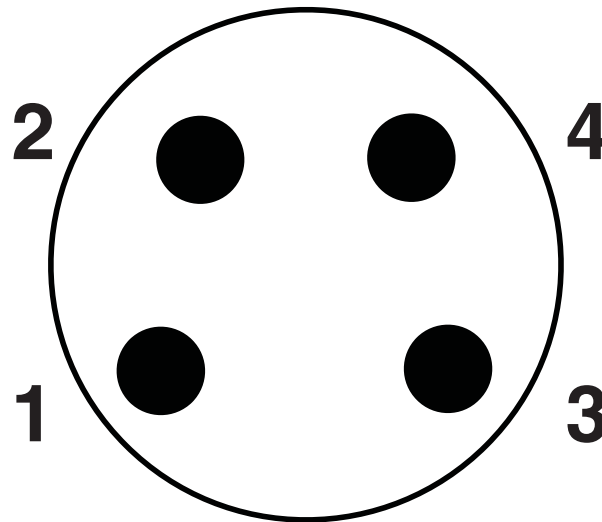
Y distributor - SAC-3P-M 8Y/2XM 8FS

1696183

<https://www.phoenixcontact.com/de/produkte/1696183>

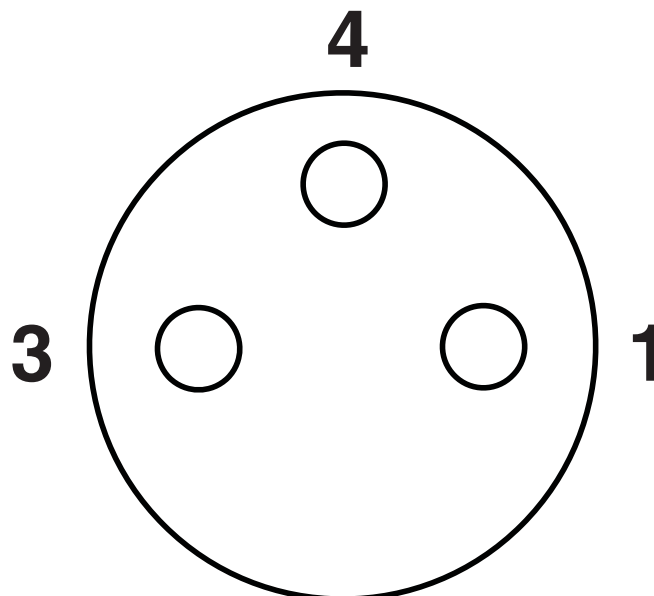


Schematic diagram



Pin assignment M8 plug, 4-pos., view male side

Schematic diagram



Pin assignment M8 socket, 3-pos., view female side

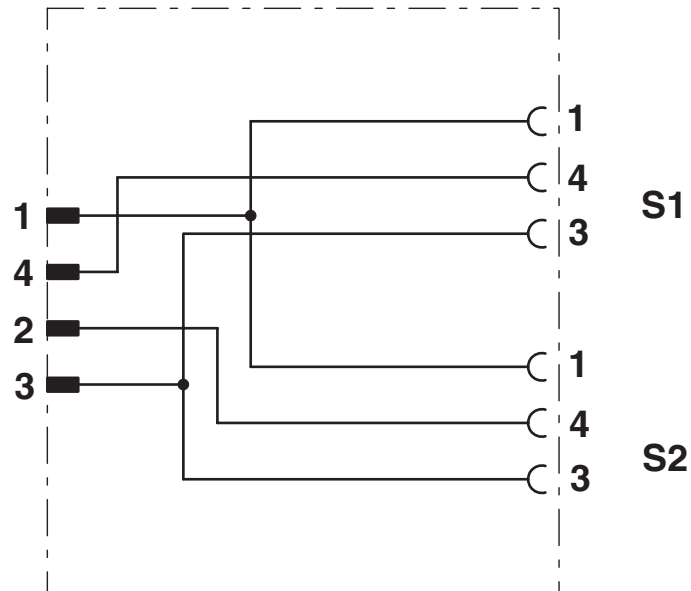
Y distributor - SAC-3P-M 8Y/2XM 8FS

1696183

<https://www.phoenixcontact.com/de/produkte/1696183>



Circuit diagram



Contact assignment of the M8 Y distributor

Y distributor - SAC-3P-M 8Y/2XM 8FS



1696183

<https://www.phoenixcontact.com/de/produkte/1696183>

Approvals



EAC

Approval ID: RU C-DE.AI30.B.01102



EAC

Approval ID: RU C-DE.BL08.B.00511



UL Listed

Approval ID: E221474

	Nominal Voltage U_N	Nominal Current I_N	Cross Section AWG	Cross Section mm^2
	30 V	4 A	-	-



cUL Listed

Approval ID: E221474

	Nominal Voltage U_N	Nominal Current I_N	Cross Section AWG	Cross Section mm^2
	30 V	4 A	-	-

cULus Listed

Y distributor - SAC-3P-M 8Y/2XM 8FS



1696183

<https://www.phoenixcontact.com/de/produkte/1696183>

Classifications

ECLASS

ECLASS-9.0	27440106
ECLASS-10.0.1	27440106
ECLASS-11.0	27440106
ECLASS-12.0	27440106

ETIM

ETIM 8.0	EC002925
----------	----------

UNSPSC

UNSPSC 21.0	31251500
-------------	----------

Y distributor - SAC-3P-M 8Y/2XM 8FS



1696183

<https://www.phoenixcontact.com/de/produkte/1696183>

Environmental Product Compliance

REACH SVHC	Lead 7439-92-1
China RoHS	Environmentally Friendly Use Period = 50 years
	For information on hazardous substances, refer to the manufacturer's declaration available under "Downloads"

Y distributor - SAC-3P-M 8Y/2XM 8FS

1696183

<https://www.phoenixcontact.com/de/produkte/1696183>

Accessories

Torque screwdriver

Torque screwdriver - TSD 02 SAC - 1208487

<https://www.phoenixcontact.com/de/produkte/1208487>



Torque screwdriver, with preset torque of 0.2 Nm and 4 mm hexagonal drive for M8 connectors

Tool

Tool - SAC BIT M8-D10 - 1208461

<https://www.phoenixcontact.com/de/produkte/1208461>



Nut for assembling M8 connectors with longitudinal knurl and a knurl diameter of 10 mm, for 4 mm hexagonal drive

Y distributor - SAC-3P-M 8Y/2XM 8FS

1696183

<https://www.phoenixcontact.com/de/produkte/1696183>

Screw plug

Screw plug - PROT-M8 - 1682540

<https://www.phoenixcontact.com/de/produkte/1682540>



An M8 screw plug for the unoccupied M8 sockets of the sensor/actuator cable, boxes and flush-type connectors

Phoenix Contact 2022 © - all rights reserved

<https://www.phoenixcontact.com>

PHOENIX CONTACT Deutschland GmbH

Flachsmarktstraße 8

D-32825 Blomberg

+49 52 35/3-1 20 00

info@phoenixcontact.de