

# Housing - HC-STA-B10-HHFD-1STM25-EL-AL



1412592

<https://www.phoenixcontact.com/pc/products/1412592>

Please be informed that the data shown in this PDF document is generated from our Online Catalog. Please find the complete data in the user documentation. Our General Terms of Use for Downloads are valid.

---



Sleeve housing B10, for double locking latch, material: Die-cast aluminum, salt water resistant, cable outlets: 1, lateral, 1x M25, height: 72 mm, cable gland: none, Standard

---

## Your advantages

- good shielding in the event of electromagnetic interference

# Housing - HC-STA-B10-HHFD-1STM25-EL-AL



1412592

<https://www.phoenixcontact.com/pc/products/1412592>

## Commercial Data

Item number	1412592
Packing unit	1 pc
Minimum order quantity	1 pc
Product Key	BF7APB
Catalog Page	Page 610 (C-2-2019)
GTIN	4055626059198
Weight per Piece (including packing)	189.3 g
Weight per Piece (excluding packing)	189.3 g
Customs tariff number	85389099
Country of origin	PL

1412592

<https://www.phoenixcontact.com/pc/products/1412592>

## Technical Data

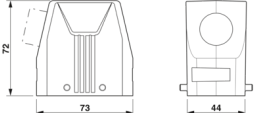
### Notes

General	For contact inserts HC-B10, BB18, DD42, M, K8/24
---------	--

### Product properties

Type	B10
Product type	Housing with locking latch
Application	Standard
No. of cable outlets	1
Type of the screw connection	1x M25
Housing type	Sleeve housing
Locking type	for double locking latch
Cable outlet	lateral
Pg screw connection	none

### Dimensions

Dimensional drawing	
Width	44 mm
Height	72 mm
Length	73 mm

### Material specifications

Color	gray aluminum
Housing surface material	uncoated
Impact strength	IK09
Housing material	Die-cast aluminum, salt water resistant

### Ambient conditions

Degree of protection	IP66 IP67
Degree of protection	4 (UL 50e) 4X (UL 50e) 12 (UL 50e)
Impact strength	IK09
Ambient temperature (operation)	-40 °C ... 125 °C

### Connector

Application	Standard
Type of locking	for double locking latch

# Housing - HC-STA-B10-HHFD-1STM25-EL-AL



1412592

<https://www.phoenixcontact.com/pc/products/1412592>

Housing material	Die-cast aluminum, salt water resistant
Application	Standard

## Mechanical properties

### Mechanical data

Type of the screw connection	1x M25
Locking type	Pin

# Housing - HC-STA-B10-HHFD-1STM25-EL-AL

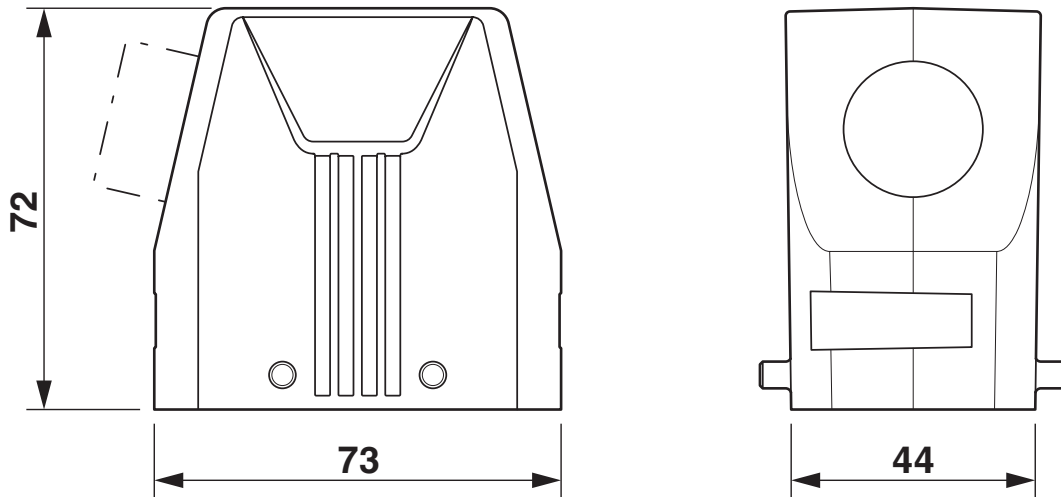


1412592

<https://www.phoenixcontact.com/pc/products/1412592>

## Drawings

Dimensional drawing



Dimensional drawing

1412592

<https://www.phoenixcontact.com/pc/products/1412592>

## Approvals

**DNV**

Approval ID: TAE000037S



**cUL Recognized**

Approval ID: E255026



**UL Recognized**

Approval ID: E255026



**EAC**

Approval ID: RU C-DE.AI30.B.01102



**EAC**

Approval ID: RU C-DE.BL08.B.00511

**cULus Recognized**

1412592

<https://www.phoenixcontact.com/pc/products/1412592>

## Classifications

### ECLASS

ECLASS-9.0	27440202
ECLASS-10.0.1	27440202
ECLASS-11.0	27440202

### ETIM

ETIM 8.0	EC000437
----------	----------

### UNSPSC

UNSPSC 21.0	31261500
-------------	----------

1412592

<https://www.phoenixcontact.com/pc/products/1412592>

## Environmental Product Compliance

China RoHS	Environmentally Friendly Use Period = 50 years For information on hazardous substances, refer to the manufacturer's declaration available under "Downloads"
------------	--



1412592

<https://www.phoenixcontact.com/pc/products/1412592>

## Accessories

### Cable gland

Cable gland - G-INS-M25-M68N-NNES-S - 1411165

<https://www.phoenixcontact.com/pc/products/1411165>



Cable gland, cable gland material: Nickel-plated brass, external cable diameter 11 mm ... 17 mm, shielding: no, connecting thread: M25 x 1.5, color: silver, with O-ring

---

### Cable gland

Cable gland - G-INSEC-M25-S68N-NCRS-S - 1411190

<https://www.phoenixcontact.com/pc/products/1411190>



Cable gland, cable gland material: Nickel-plated brass, external cable diameter 11 mm ... 16 mm, shielding: yes, connecting thread: M25 x 1.5, color: silver, with O-ring

# Housing - HC-STA-B10-HHFD-1STM25-EL-AL

1412592

<https://www.phoenixcontact.com/pc/products/1412592>

## Cable gland

Cable gland - HC-M-KV-M25(1ASI) - 1584020

<https://www.phoenixcontact.com/pc/products/1584020>



Metal screw connection for an AS-Interface flat-ribbon conductor, thread type M25

---

## Cable gland

Cable gland - HC-M-KV-M25(1X10/1X11) - 1580228

<https://www.phoenixcontact.com/pc/products/1580228>



Special cable screw connection M25, brass nickel-plated, grommet with 10 mm and 11 mm holes

# Housing - HC-STA-B10-HHFD-1STM25-EL-AL

1412592

<https://www.phoenixcontact.com/pc/products/1412592>

## Screw connection

Screw connection - WP-G HF IP66 M25 BK - 3240899

<https://www.phoenixcontact.com/pc/products/3240899>



Cable gland, metric thread, IP66 protection, straight

---

## Screw connection

Screw connection - WP-G HF IP69K M25 BK - 3240885

<https://www.phoenixcontact.com/pc/products/3240885>



Cable gland, metric thread, IP68/69k protection, straight

# Housing - HC-STA-B10-HHFD-1STM25-EL-AL

1412592

<https://www.phoenixcontact.com/pc/products/1412592>

## Screw connection

Screw connection - WP-GA HF IP66 M25 BK - 3240927

<https://www.phoenixcontact.com/pc/products/3240927>

Cable gland, metric thread, IP66 protection, angled



---

## Screw connection

Screw connection - WP-GA HF IP69K M25 BK - 3240913

<https://www.phoenixcontact.com/pc/products/3240913>

Cable gland, metric thread, IP68/69k protection, angled



# Housing - HC-STA-B10-HHFD-1STM25-EL-AL

1412592

<https://www.phoenixcontact.com/pc/products/1412592>

## Screw connection

Screw connection - WP-GR HF IP66 M25 BK - 3240955

<https://www.phoenixcontact.com/pc/products/3240955>



Cable gland, metric thread, IP66 protection, with strain relief

---

## Screw connection

Screw connection - WP-GR HF IP69K M25 BK - 3240941

<https://www.phoenixcontact.com/pc/products/3240941>



Cable gland, metric thread, IP68/69k protection, with strain relief

# Housing - HC-STA-B10-HHFD-1STM25-EL-AL

1412592

<https://www.phoenixcontact.com/pc/products/1412592>

## Screw connection

Screw connection - WP-G PP HF M25 - 3240999

<https://www.phoenixcontact.com/pc/products/3240999>



Cable gland made from PP with metric thread, IP65 protection

---

## Screw connection

Screw connection - WP-GT PP HF M25 - 3241013

<https://www.phoenixcontact.com/pc/products/3241013>



Cable gland made from PP with metric thread, rotatable, IP54 protection

1412592

<https://www.phoenixcontact.com/pc/products/1412592>

## Screw connection

Screw connection - WP-G BRASS IP40 M25 - 3241048

<https://www.phoenixcontact.com/pc/products/3241048>



Cable gland made from brass with metric thread, IP40 protection

---

## Screw connection

Screw connection - WP-GT BRASS M25 - 3241034

<https://www.phoenixcontact.com/pc/products/3241034>



Cable gland made from brass with metric thread, rotatable, IP40 protection

# Housing - HC-STA-B10-HHFD-1STM25-EL-AL

1412592

<https://www.phoenixcontact.com/pc/products/1412592>

## Screw connection

Screw connection - WP-G BRASS IP65 M25 - 3241062

<https://www.phoenixcontact.com/pc/products/3241062>



Cable gland made from brass with metric thread, IP65 protection

---

## Protective cover

Protective cover - HC-B10-HCLWD-PLR-BK - 1414638

<https://www.phoenixcontact.com/pc/products/1414638>



Protective cover B10, with double locking latch, protective cover material: PA, height: 21.6 mm, seal: yes, diameter of retaining cord eyelet: 30 mm



# Housing - HC-STA-B10-HHFD-1STM25-EL-AL



1412592

<https://www.phoenixcontact.com/pc/products/1412592>

## Plastic label

Plastic label - US-EMLP (20X9) CUS - 0830085

<https://www.phoenixcontact.com/pc/products/0830085>

Plastic label, can be ordered: by card, white, labeled according to customer specifications, mounting type: adhesive, lettering field size: 20 x 9 mm, Number of individual labels: 75



---

Phoenix Contact 2022 © - all rights reserved

<https://www.phoenixcontact.com>

PHOENIX CONTACT GmbH & Co. KG

Flachsmarktstraße 8

D-32825 Blomberg

+49 (0) 5235-3 00

[info@phoenixcontact.com](mailto:info@phoenixcontact.com)