

Extension module - PSR-SCP- 24UC/URM4/5X1/2X2/B



2981033

<https://www.phoenixcontact.com/de/produkte/2981033>

Please be informed that the data shown in this PDF document is generated from our Online Catalog. Please find the complete data in the user documentation. Our General Terms of Use for Downloads are valid.



Single or two-channel contact extension, 5 N/O contacts, 1 N/C contact, 1 confirmation current path, plug-in screw terminal blocks, width: 22.5 mm

Your advantages

- 1- and 2-channel control
- Up to Cat. 4/PL e in accordance with EN ISO 13849-1, SIL 3 in accordance with IEC 62061, SIL 3 in accordance with IEC 61508

Extension module - PSR-SCP- 24UC/URM4/5X1/2X2/B



2981033

<https://www.phoenixcontact.com/de/produkte/2981033>

Commercial Data

Item number	2981033
Packing unit	1 pc
Minimum order quantity	1 pc
Note	Made to Order (non-returnable)
Sales Key	G1 - Relais
Product Key	DNA152
Catalog Page	Page 232 (C-6-2019)
GTIN	4017918915513
Weight per Piece (including packing)	208,9 g
Weight per Piece (excluding packing)	205,3 g
Customs tariff number	85371098
Country of origin	DE

Extension module - PSR-SCP-24UC/URM4/5X1/2X2/B



2981033

<https://www.phoenixcontact.com/de/produkte/2981033>

Technical Data

Product properties

Product type	Safety relays
Application	Extension module
Mechanical service life	10x 10 ⁶ cycles
Relay type	Electromechanical relay with force-guided contacts in accordance with IEC/EN 61810-3

Insulation characteristics

Overvoltage category	III
----------------------	-----

Electrical properties

Maximum power dissipation for nominal condition	2.21 W
Nominal operating mode	100% operating factor
Rated insulation voltage	250 V AC
Rated surge voltage/insulation	Basic insulation 4 kV: between all current paths and housing Safe isolation, reinforced insulation 6 kV: between A1/A2, 11/12, 23/24, 71/72 and 33/34, 43/44, 53/54, 63/64

Input data

Rated control circuit supply voltage U_S	24 V AC/DC -15 % / +10 %
Power consumption at U_S	typ. 1.94 W (AC)
	typ. 1.7 W (DC)
Rated control supply current I_S	typ. 81 mA AC
	typ. 71 mA DC
Inrush current	175 mA ($\Delta t = 5$ ms at U_S)
Filter time	2 ms (at A1 in the event of voltage dips at U_S)
Typ. starting time with U_S	< 20 ms (when controlled via A1)
Typical release time	< 20 ms (when controlled via A1)
Recovery time	< 1 s
Maximum switching frequency	1 Hz
Protective circuit	Surge protection; Varistor
Operating voltage display	1 x green LED

Output data

Contact type	5 enabling current paths
	1 confirmation current path
	1 signaling current path
Contact material	AgSnO ₂
Maximum switching voltage	250 V AC/DC (Observe the load curve)
Minimum switching voltage	5 V AC/DC
Limiting continuous current	6 A (N/O contact, pay attention to the derating)

Extension module - PSR-SCP-24UC/URM4/5X1/2X2/B



2981033

<https://www.phoenixcontact.com/de/produkte/2981033>

	6 A (N/C contact)
Maximum inrush current	20 A ($\Delta t \square 100$ ms)
Inrush current, minimum	10 mA
Sq. Total current	72 A ² (observe derating)
Interrupting rating (ohmic load) max.	144 W (24 V DC, $\tau = 0$ ms)
	288 W (48 V DC, $\tau = 0$ ms)
	110 W (110 V DC, $\tau = 0$ ms)
	88 W (220 V DC, $\tau = 0$ ms)
	1500 VA (250 V AC, $\tau = 0$ ms)
Maximum interrupting rating (inductive load)	42 W (24 V DC, $\tau = 40$ ms)
	42 W (48 V DC, $\tau = 40$ ms)
	42 W (110 V DC, $\tau = 40$ ms)
	42 W (220 V DC, $\tau = 40$ ms)
Switching capacity min.	50 mW
Switching capacity (360/h cycles)	4 A (24 V DC)
	4 A (230 V AC)
Switching capacity (3600/h cycles)	2.5 A (24 V (DC13))
	3 A (230 V (AC15))
Output fuse	10 A gL/gG (N/O contact)
	6 A gL/gG (N/C contact)

Connection data

Connection technology

pluggable	yes
-----------	-----

Conductor connection

Connection method	Screw connection
Conductor cross section solid	0.2 mm ² ... 2.5 mm ²
Conductor cross-section AWG	24 ... 12
Screw thread	M3

Dimensions

Width	22.5 mm
Height	99 mm
Depth	114.5 mm

Material specifications

Housing material	Polyamide
Housing color	yellow

Characteristics

Safety data

Stop category	0
---------------	---

Extension module - PSR-SCP- 24UC/URM4/5X1/2X2/B



2981033

<https://www.phoenixcontact.com/de/produkte/2981033>

Safety data: EN ISO 13849

Category	4 (In conjunction with suitable evaluating device)
Performance level (PL)	e (In conjunction with suitable evaluating device)

Safety data: IEC 61508 - High demand

Equipment type	Type A
Safety Integrity Level (SIL)	3 (In conjunction with suitable evaluating device)
Probability of a hazardous failure per hour (PFH _D)	1.02 x 10 ⁻¹⁰
Proof test interval	240 Months
Duration of use	240 Months

Safety data: IEC 61508 - Low demand

Equipment type	Type A
Safety Integrity Level (SIL)	3 (In conjunction with suitable evaluating device)
Probability of a hazardous failure on demand (PFD _{AVG})	1.50 x 10 ⁻⁴
Proof test interval	84 Months
Duration of use	240 Months

Environmental and real-life conditions

Ambient conditions

Degree of protection	IP20
Min. degree of protection of inst. location	IP54
Ambient temperature (operation)	-20 °C ... 55 °C (observe derating)
Ambient temperature (storage/transport)	-40 °C ... 70 °C
Maximum altitude	max. 2000 m (Above sea level)
Max. permissible humidity (storage/transport)	75 % (on average, 85% infrequently, non-condensing)
Max. permissible relative humidity (operation)	75 % (on average, 85% infrequently, non-condensing)
Shock	15g
Vibration (operation)	10 Hz ... 150 Hz, 2g

Approval data

CE

Certificate	CE-compliant
-------------	--------------

Standards and regulations

Air clearances and creepage distances between the power circuits

Standards/regulations	DIN EN 50178/VDE 0160
-----------------------	-----------------------

Mounting

Mounting type	DIN rail mounting
Assembly instructions	See derating curve
Mounting position	vertical or horizontal

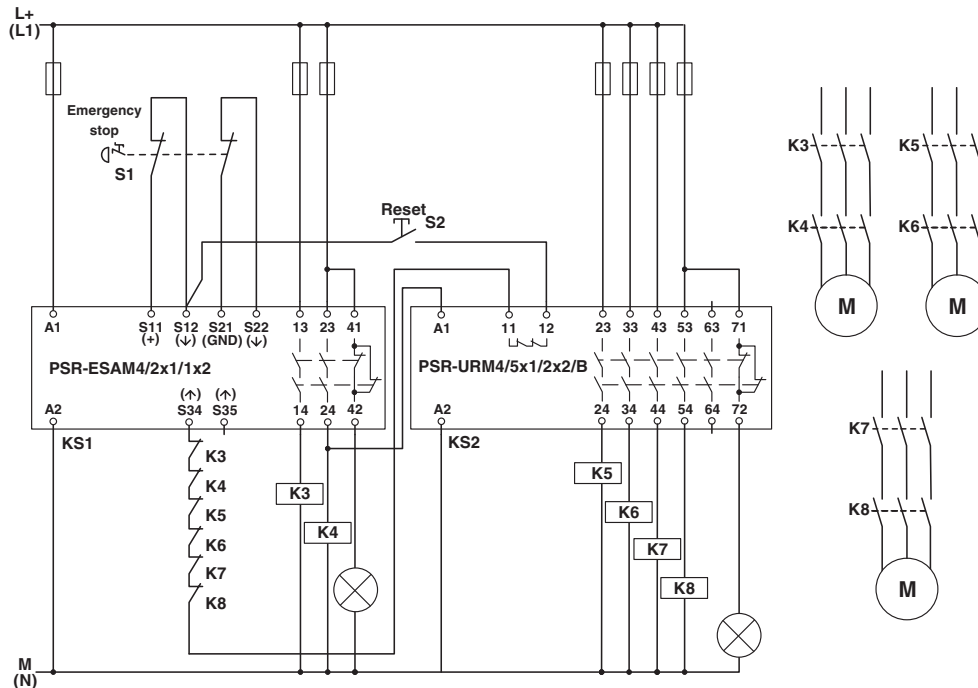
Extension module - PSR-SCP- 24UC/URM4/5X1/2X2/B

2981033

<https://www.phoenixcontact.com/de/produkte/2981033>

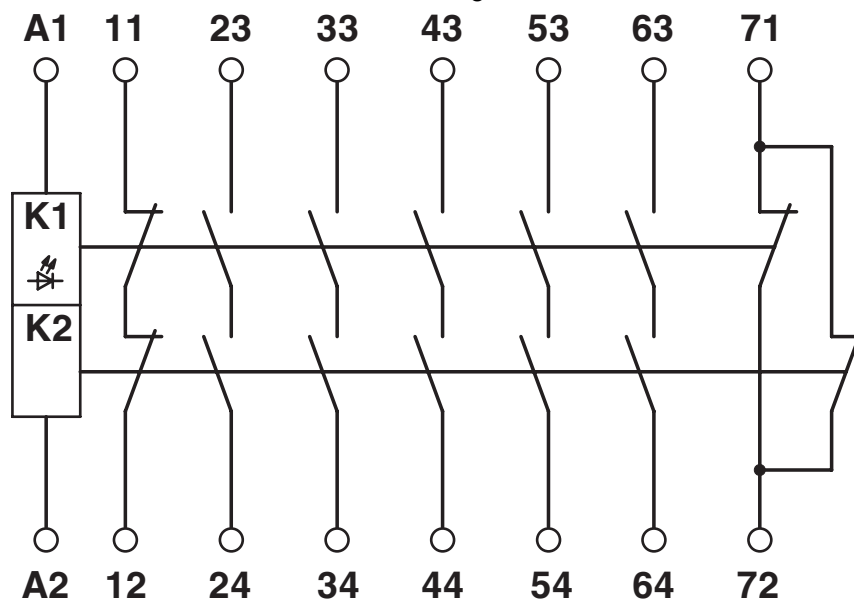
Drawings

Circuit diagram



Two-channel emergency stop monitoring with contact extension

Circuit diagram



Block diagram

Extension module - PSR-SCP- 24UC/URM4/5X1/2X2/B



2981033

<https://www.phoenixcontact.com/de/produkte/2981033>

Approvals



EAC

Approval ID: TR TS_D_01838-19



UL Listed

Approval ID: FILE E 140324



cUL Listed

Approval ID: FILE E 140324



Functional Safety

Approval ID: 968/FSP 1265.02/21



Functional Safety

Approval ID: 968/FSP 1265.02/21

cULus Listed

Extension module - PSR-SCP- 24UC/URM4/5X1/2X2/B



2981033

<https://www.phoenixcontact.com/de/produkte/2981033>

Classifications

ECLASS

ECLASS-9.0	27371819
ECLASS-10.0.1	27371819
ECLASS-11.0	27371819

ETIM

ETIM 8.0	EC001449
----------	----------

UNSPSC

UNSPSC 21.0	39122200
-------------	----------

Extension module - PSR-SCP- 24UC/URM4/5X1/2X2/B



2981033

<https://www.phoenixcontact.com/de/produkte/2981033>

Environmental Product Compliance

REACH SVHC	Lead 7439-92-1
China RoHS	Environmentally Friendly Use Period = 50 years
	For information on hazardous substances, refer to the manufacturer's declaration available under "Downloads"

Phoenix Contact 2022 © - all rights reserved

<https://www.phoenixcontact.com>

PHOENIX CONTACT Deutschland GmbH

Flachsmarktstraße 8

D-32825 Blomberg

+49 52 35/3-1 20 00

info@phoenixcontact.de