

# Screwdriver - SZS 0,4X2,5 VDE



1205037

<https://www.phoenixcontact.com/de/produkte/1205037>

Please be informed that the data shown in this PDF document is generated from our Online Catalog. Please find the complete data in the user documentation. Our General Terms of Use for Downloads are valid.

---



Screwdriver, slot-headed, VDE insulated, size: 0.4 x 2.5 x 80 mm, 2-component grip, with non-slip grip

---

## Your advantages

- For working on or in the vicinity of live parts up to 1000 V AC or 1500 V DC
- The tools feature ergonomic two-component safety handles
- Large contact surface of blades inside screw head
- Individually tested safety screwdrivers according to DIN EN 60900 (VDE 0682-201)

# Screwdriver - SZS 0,4X2,5 VDE



1205037

<https://www.phoenixcontact.com/de/produkte/1205037>

## Commercial Data

Item number	1205037
Packing unit	10 pc
Minimum order quantity	1 pc
Sales Key	N2 - Druck.Zubh.+HandWKZ
Product Key	BH3144
Catalog Page	Page 442 (C-3-2019)
GTIN	4017918019075
Weight per Piece (including packing)	31,04 g
Weight per Piece (excluding packing)	30 g
Customs tariff number	82054000
Country of origin	CZ

# Screwdriver - SZS 0,4X2,5 VDE

1205037

<https://www.phoenixcontact.com/de/produkte/1205037>

## Technical Data

### Notes

#### Environmental Product Compliance

California Proposition 65

Further information on California's prop. 65 is available under "Downloads" in the manufacturer's declaration

### Product properties

Type

Bladed

Product type

Screwdriver tools

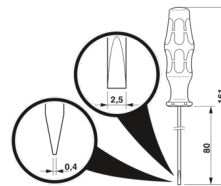
### Connection data

Output

Bladed

### Dimensions

Dimensional drawing



Width

26 mm

Blade width

2.5 mm

Blade height

80 mm

Length

161 mm

Wrench size

0 mm

Blade thickness

0.4 mm

### Material specifications

Material

alloyed tool steel

### Standards and regulations

Tests

DIN/ISO 2380-1 IEC 60900:2004

### Mounting

Wrench size

0 mm

# Screwdriver - SZS 0,4X2,5 VDE

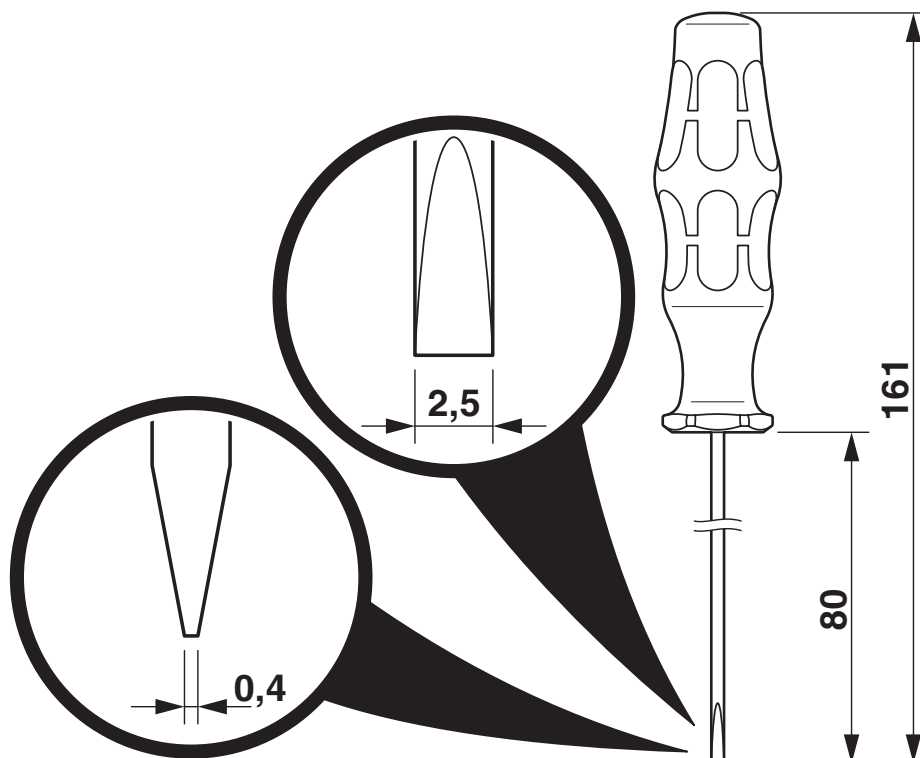
1205037

<https://www.phoenixcontact.com/de/produkte/1205037>



## Drawings

Dimensional drawing



# Screwdriver - SZS 0,4X2,5 VDE



1205037

<https://www.phoenixcontact.com/de/produkte/1205037>

## Approvals



**EAC**

Approval ID: RU x-DE.xx08.B.02974



**VDE Zeichengenehmigung**

Approval ID: 086858

# Screwdriver - SZS 0,4X2,5 VDE



1205037

<https://www.phoenixcontact.com/de/produkte/1205037>

## Classifications

### ECLASS

ECLASS-9.0	21040407
ECLASS-10.0.1	21040407
ECLASS-11.0	21040407

### ETIM

ETIM 8.0	EC000158
----------	----------

### UNSPSC

UNSPSC 21.0	27111700
-------------	----------

Phoenix Contact 2022 © - all rights reserved

<https://www.phoenixcontact.com>

PHOENIX CONTACT Deutschland GmbH

Flachmarktstraße 8

D-32825 Blomberg

+49 52 35/3-1 20 00

[info@phoenixcontact.de](mailto:info@phoenixcontact.de)