

# Sensor/actuator cable - SAC-3P- 1,5-PUR/A-1L-V 230V



1402985

<https://www.phoenixcontact.com/de/produkte/1402985>

Please be informed that the data shown in this PDF document is generated from our Online Catalog. Please find the complete data in the user documentation. Our General Terms of Use for Downloads are valid.

---



Sensor/actuator cable, 3-position, PUR halogen-free, black-gray RAL 7021, free cable end, on Valve connector A, with 1 LED, connected with Varistor, cable length: 1.5 m

---

## Your advantages

- Easy and safe: 100% electrically tested plug-in components
- Convenient: increased machine availability thanks to quick and easy diagnostics
- Our standard: robust halogen-free PUR cable

# Sensor/actuator cable - SAC-3P- 1,5-PUR/A-1L-V 230V



1402985

<https://www.phoenixcontact.com/de/produkte/1402985>

## Commercial Data

Item number	1402985
Packing unit	1 pc
Minimum order quantity	1 pc
Note	Made to Order (non-returnable)
Sales Key	C1 - Sensor-Aktor-Kabel
Product Key	BF1DAA
Catalog Page	Page 232 (C-2-2019)
GTIN	4046356638371
Weight per Piece (including packing)	70,9 g
Weight per Piece (excluding packing)	69 g
Customs tariff number	85444290
Country of origin	PL

# Sensor/actuator cable - SAC-3P- 1,5-PUR/A-1L-V 230V



1402985

<https://www.phoenixcontact.com/de/produkte/1402985>

## Technical Data

### Product properties

Product type	Sensor/actuator cable with valve connector
Number of positions	3
Application	Standard
No. of cable outlets	1
Shielded	no

### Insulation characteristics

Overvoltage category	III
Degree of pollution	3

### Electrical properties

Contact resistance	$\leq 5 \text{ m}\Omega$
Insulation resistance	$\geq 100 \text{ M}\Omega$
Nominal voltage $U_N$	230 V AC
	230 V DC
Nominal current $I_N$	4 A
Protective circuit	Varistor 230 V

### LED signaling

Status display	1 LED
Status display present	yes

### Material specifications

Color Handle area	black
Flammability rating according to UL 94	V0
Sealing material	TPU (Seal molded)
Material housing valve plug	TPU
Contact material	CuSn
Valve plug contact insert material	PA 6.6
Contact surface material	Sn

### Connector

#### Header 1

Head design	free cable end
-------------	----------------

#### Head 2

Head design	Valve connector
Head thread type	A
Status indicator head	1 LED

### Cable / line

# Sensor/actuator cable - SAC-3P- 1,5-PUR/A-1L-V 230V



1402985

<https://www.phoenixcontact.com/de/produkte/1402985>

Cable length	1.5 m
Cable weight	30 kg/km
UL AWM Style	20549
Number of positions	3
Shielded	no
Cable type	PUR halogen-free black [PUR]
Conductor structure signal line	28x 0.15 mm
AWG signal line	20
Conductor cross section	3x 0.5 mm <sup>2</sup>
Wire diameter incl. insulation	1.5 mm ±0.05 mm (Signal line)
External cable diameter	4.5 mm ±0.2 mm
Outer sheath, material	PUR
External sheath, color	black-gray RAL 7021
Conductor material	Bare Cu litz wires
Material wire insulation	PP
Single wire, color	black 1, black 2, green/yellow
Overall twist	3 wires, twisted
Max. conductor resistance	39 Ω/km (at 20 °C)
Insulation resistance	min. 20 MΩ*km
Nominal voltage, cable	≤ 300 V
Test voltage	≥ 1200 V
Smallest bending radius, fixed installation	22.5 mm
Max. bending cycles	15000000
Halogen-free	in accordance with DIN VDE 0472 part 815
Flame resistance	according to DIN VDE 0482 According to DIN EN 50265-2-1
Resistance to oil	in accordance with DIN EN 60811-2-1
Other resistance	largely oil-resistant partly UV-resistant in accordance with DIN EN ISO 4892-2-A
Ambient temperature (operation)	-40 °C ... 80 °C (cable, fixed installation) -20 °C ... 80 °C (Cable, flexible installation)

## Cable structure

Outer sheath, material	PUR
External sheath, color	black-gray RAL 7021

## Ambient conditions

Ambient temperature (operation)	-15 °C ... 80 °C (Cable, flexible installation) -40 °C ... 80 °C (cable, fixed installation)
---------------------------------	---

## Environmental and real-life conditions

### Ambient conditions

Degree of protection	IP65 IP67
----------------------	--------------

# Sensor/actuator cable - SAC-3P- 1,5-PUR/A-1L-V 230V



1402985

<https://www.phoenixcontact.com/de/produkte/1402985>

Ambient temperature (operation)	-25 °C ... 85 °C (valve plug)
	-40 °C ... 80 °C (cable, fixed installation)
	-15 °C ... 80 °C (Cable, flexible installation)

## Standards and regulations

### Valve connector

Standards/specifications	EN 175301-803
--------------------------	---------------

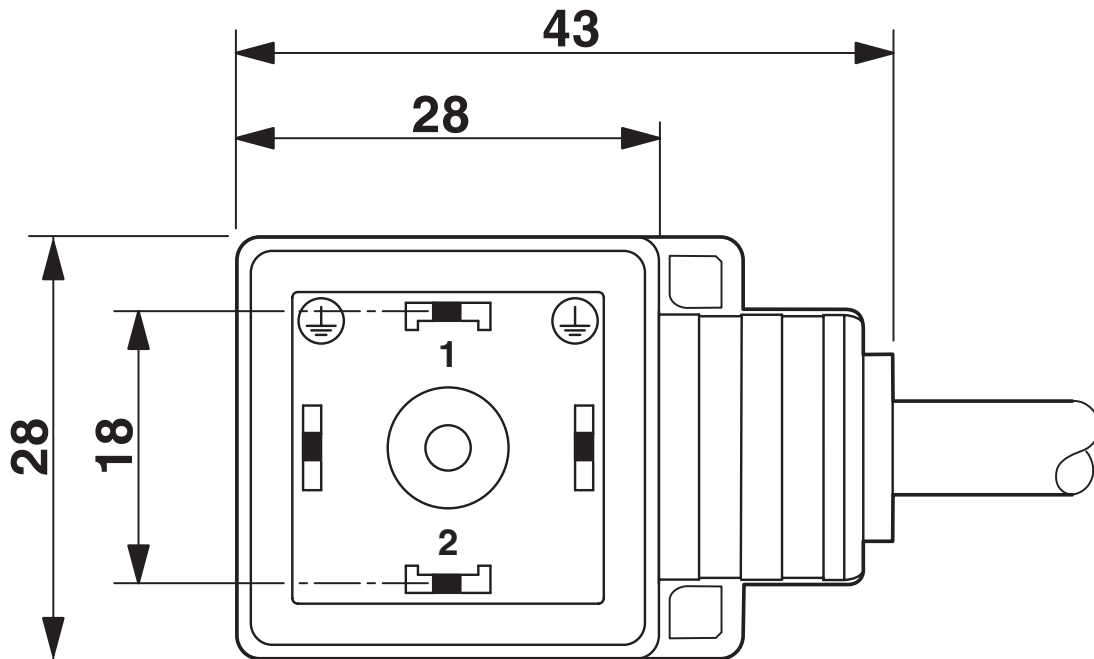
# Sensor/actuator cable - SAC-3P- 1,5-PUR/A-1L-V 230V

1402985

<https://www.phoenixcontact.com/de/produkte/1402985>

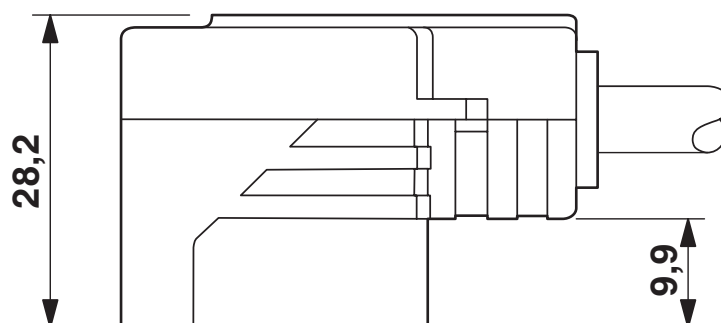
## Drawings

Dimensional drawing



Valve connector, type A

Dimensional drawing



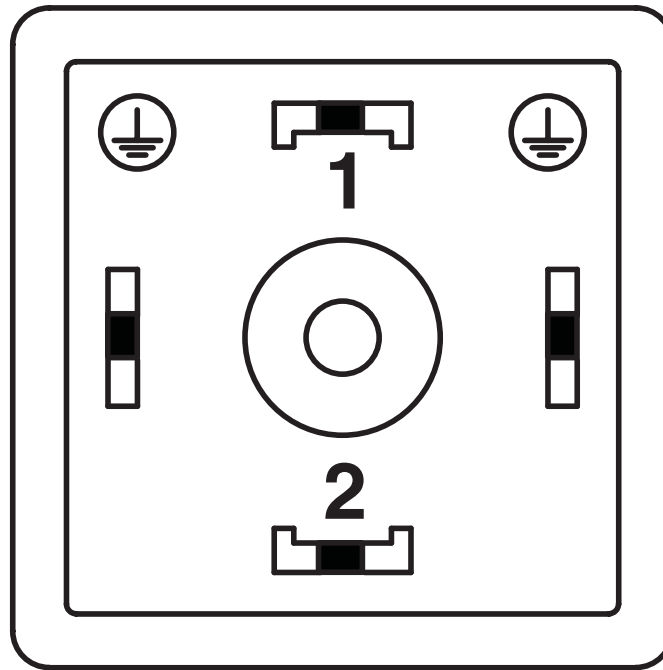
Valve connector, type A, side view

# Sensor/actuator cable - SAC-3P- 1,5-PUR/A-1L-V 230V

1402985

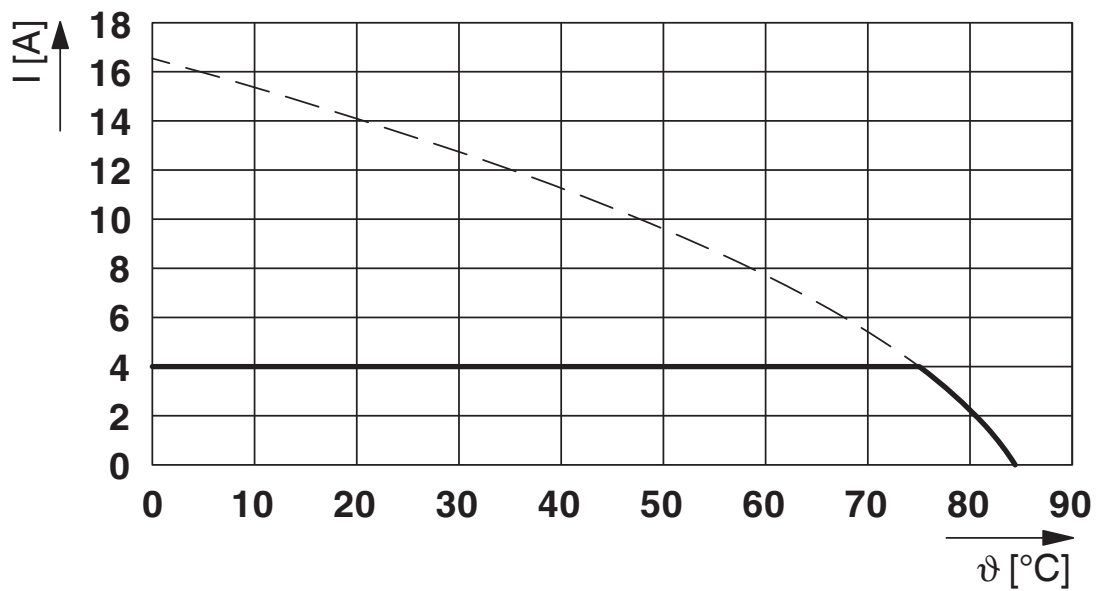
<https://www.phoenixcontact.com/de/produkte/1402985>

Schematic diagram



Valve connector pin assignment, type A

Diagram

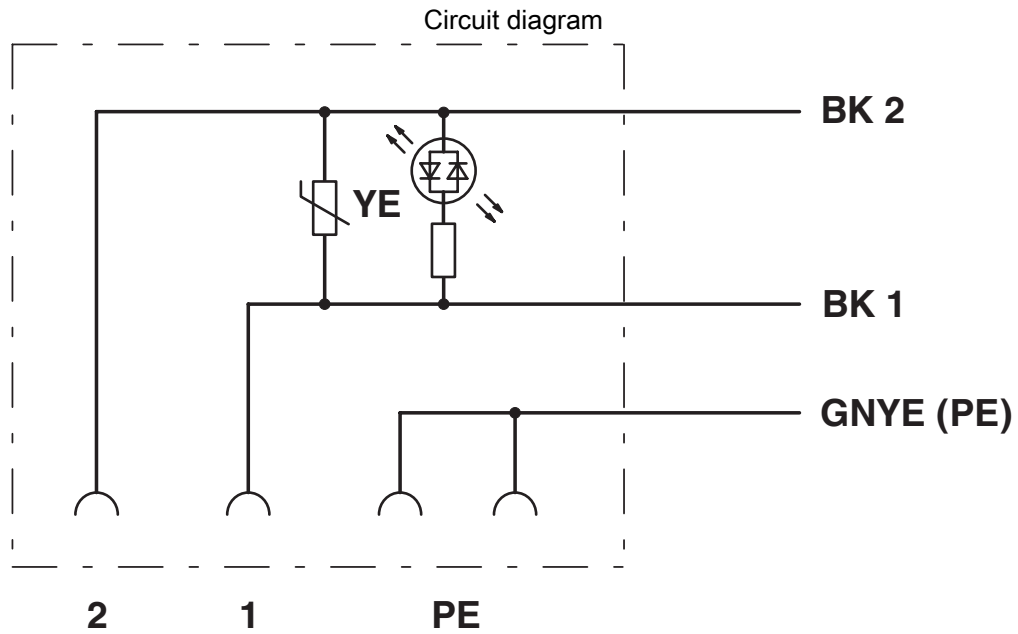


Derating diagram

# Sensor/actuator cable - SAC-3P- 1,5-PUR/A-1L-V 230V

1402985

<https://www.phoenixcontact.com/de/produkte/1402985>



Contact assignment of the valve plug




# Sensor/actuator cable - SAC-3P- 1,5-PUR/A-1L-V 230V





1402985


<https://www.phoenixcontact.com/de/produkte/1402985>

## Approvals

 <b>CSA</b> Approval ID: 13631				
	Nominal Voltage $U_N$	Nominal Current $I_N$	Cross Section AWG	Cross Section $\text{mm}^2$
	230 V	4 A	-	-

 <b>EAC</b> Approval ID: RU C-DE.BL08.B.00286				
---	--	--	--	--

 <b>EAC</b> Approval ID: RU D-DE.HB35.B.00387				
---	--	--	--	--

 <b>CSAus</b> Approval ID: 13631				
	Nominal Voltage $U_N$	Nominal Current $I_N$	Cross Section AWG	Cross Section $\text{mm}^2$
	230 V	4 A	-	-

<b>cCSAus</b>				
---------------	--	--	--	--

# Sensor/actuator cable - SAC-3P- 1,5-PUR/A-1L-V 230V



1402985

<https://www.phoenixcontact.com/de/produkte/1402985>

## Classifications

### ECLASS

ECLASS-9.0	27060312
ECLASS-10.0.1	27060312
ECLASS-11.0	27060312

### ETIM

ETIM 8.0	EC001855
----------	----------

### UNSPSC

UNSPSC 21.0	31251500
-------------	----------

# Sensor/actuator cable - SAC-3P- 1,5-PUR/A-1L-V 230V



1402985

<https://www.phoenixcontact.com/de/produkte/1402985>

## Environmental Product Compliance

China RoHS

Environmentally friendly use period: unlimited = EFUP-e

No hazardous substances above threshold values

# Sensor/actuator cable - SAC-3P- 1,5-PUR/A-1L-V 230V

1402985

<https://www.phoenixcontact.com/de/produkte/1402985>

## Accessories

### Screw

Screw - SAC-V-SCREW-M3-29 KNURL - 1403779

<https://www.phoenixcontact.com/de/produkte/1403779>

Fillister head screw with plastic knurl, M3 x 40



---

### Insert label

Insert label - PABA WH/23 - 1013779

<https://www.phoenixcontact.com/de/produkte/1013779>

Insert label, Strip, white, unlabeled, can be labeled with: CMS-P1-PLOTTER,  
mounting type: slide-on, cable diameter range: 1.5 ... 35 mm, lettering field size:  
23 x 4 mm, Number of individual labels: 20



# Sensor/actuator cable - SAC-3P- 1,5-PUR/A-1L-V 230V



1402985

<https://www.phoenixcontact.com/de/produkte/1402985>

## Torque screwdriver

Torque screwdriver - TSD-M 1,2NM - 1212224

<https://www.phoenixcontact.com/de/produkte/1212224>



Torque screw driver, accuracy as per EN ISO 6789 standard, adjustable from 0.3 - 1.2 Nm

---

## Insert label

Insert label - PABA YE/23 - 1013782

<https://www.phoenixcontact.com/de/produkte/1013782>



Insert label, Strip, yellow, unlabeled, can be labeled with: CMS-P1-PLOTTER, mounting type: slide-on, cable diameter range: 1.5 ... 35 mm, lettering field size: 23 x 4 mm, Number of individual labels: 20

# Sensor/actuator cable - SAC-3P- 1,5-PUR/A-1L-V 230V



1402985

<https://www.phoenixcontact.com/de/produkte/1402985>

## Screw insert

Screw insert - SF-BIT-PH 1-70 - 1212582

<https://www.phoenixcontact.com/de/produkte/1212582>



Screw bit, PH crosshead, E6.3-1/4" drive, size: PH 1 x 70 mm, hardened, suitable for holder according to DIN 3126-F6.3/ISO 1173

---

## Marker pen

Marker pen - B-STIFT - 1051993

<https://www.phoenixcontact.com/de/produkte/1051993>



Marker pen, for manual labeling of unprinted Zack strips, smear-proof and waterproof, line thickness 0.5 mm

# Sensor/actuator cable - SAC-3P- 1,5-PUR/A-1L-V 230V

1402985

<https://www.phoenixcontact.com/de/produkte/1402985>

## Diagonal cutter

Diagonal cutter - CUTFOX-S VDE - 1212207

<https://www.phoenixcontact.com/de/produkte/1212207>



Diagonal cutter for hard (piano wire) and soft wires, VDE 1000 V AC/1500 V DC tested

---

## Stripping tool

Stripping tool - WIREFOX SAC-1 - 1212757

<https://www.phoenixcontact.com/de/produkte/1212757>



Stripping pliers, for halogen-free sensor/actuator cables (SAC cables), with PUR and PVC insulation, from Ø of 3.2 to 4.4 mm, any stripping length

# Sensor/actuator cable - SAC-3P- 1,5-PUR/A-1L-V 230V

1402985

<https://www.phoenixcontact.com/de/produkte/1402985>

## Stripping tool

Stripping tool - WIREFOX SAC - 1212623

<https://www.phoenixcontact.com/de/produkte/1212623>



Stripping pliers, for halogen-free sensor/actuator cables (SAC cables), with PUR and PVC insulation, from  $\varnothing$  of 4.4 to 7 mm, any stripping length

---

## Stripping tool

Stripping tool - WIREFOX 10 - 1212150

<https://www.phoenixcontact.com/de/produkte/1212150>



Stripping tool, for cables and conductors from 0.02 - 10 mm<sup>2</sup>, self-adjusting, stripping length of up to 18 mm, cutting capacity of up to 10 mm<sup>2</sup> stranded/1.5 mm<sup>2</sup> solid, replaceable stripping blade



# Sensor/actuator cable - SAC-3P- 1,5-PUR/A-1L-V 230V

1402985

<https://www.phoenixcontact.com/de/produkte/1402985>

## Protective hose adapter

Protective hose adapter - WP-CTA POM 13,0 BK - 1422884

<https://www.phoenixcontact.com/de/produkte/1422884>



Protective hose adapter, for corrugated hoses with a nominal size of 13 (10 x 13), corrugated in parallel

---

## Protective hose

Protective hose - WP-PA HF 13,0 BK - 3240681

<https://www.phoenixcontact.com/de/produkte/3240681>



Protective hose, material: PA 6, filament: without, UV-resistant: yes, flexible, degree of protection: IP68, color: black, inflammability class in acc. with UL 94: V0, inner diameter: 10 mm, Total length: 50 m

# Sensor/actuator cable - SAC-3P- 1,5-PUR/A-1L-V 230V



1402985

<https://www.phoenixcontact.com/de/produkte/1402985>

## Protective hose

Protective hose - WP-PA HF-HB 13,0 BK - 3240839

<https://www.phoenixcontact.com/de/produkte/3240839>



Protective hose, material: PA 6, filament: without, UV-resistant: yes, flexible, degree of protection: IP68, color: black, inflammability class in acc. with UL 94: HB, inner diameter: 10 mm, Total length: 50 m

---

Phoenix Contact 2022 © - all rights reserved

<https://www.phoenixcontact.com>

PHOENIX CONTACT Deutschland GmbH

Flachsmarktstraße 8

D-32825 Blomberg

+49 52 35/3-1 20 00

[info@phoenixcontact.de](mailto:info@phoenixcontact.de)