

Digital module - IB IL 24 DI 16-PAC



2861250

<https://www.phoenixcontact.com/nz/products/2861250>

Please be informed that the data shown in this PDF document is generated from our Online Catalog. Please find the complete data in the user documentation. Our General Terms of Use for Downloads are valid.



Inline, Digital input terminal, Digital inputs: 16, 24 V DC, connection technology: 3-conductor, transmission speed in the local bus: 500 kbps, degree of protection: IP20, including Inline connectors and marking fields

Product Description

The terminal is designed for use within an Inline station. It is used to acquire digital signals.

Your advantages

- 16 digital inputs
- Connection of sensors in 2- and 3-conductor technology
- Maximum permissible load current per sensor: 250 mA
- Maximum permissible load current from the terminal: 4 A

Commercial Data

Item number	2861250
Packing unit	1 pc
Minimum order quantity	1 pc
Sales Key	DNI131
Product Key	DRI131
Catalog Page	Page 123 (C-6-2019)
GTIN	4017918894191
Weight per Piece (including packing)	231.6 g
Weight per Piece (excluding packing)	210 g
Customs tariff number	85389090
Country of origin	DE

Technical Data

Dimensions

Dimensional drawing	
Width	48.8 mm
Height	140.5 mm
Depth	71.5 mm
Note on dimensions	Housing dimensions

Notes

Utilization restriction

EMC note	EMC: class A product, see manufacturer's declaration in the download area
----------	---

Utilization restriction

CCCex note	Use in potentially explosive areas is not permitted in China.
------------	---

Material specifications

Color	green
-------	-------

Interfaces

Inline local bus

Number of interfaces	2
Connection method	Inline data jumper
Transmission speed	500 kbps

System properties

Module

ID code (dec.)	190
ID code (hex)	BE
Length code (hex)	01
Length code (dec)	01
Process data channel	16 Bit
Input address area	2 Byte
Output address area	0 Byte
Register length	16 Bit
Required parameter data	1 Byte

Digital module - IB IL 24 DI 16-PAC



2861250

<https://www.phoenixcontact.com/nz/products/2861250>

Required configuration data	4 Byte
-----------------------------	--------

Input data

Digital

Input name	Digital inputs
Description of the input	EN 61131-2 type 1
Number of inputs	16
Connection method	Spring-cage connection
Connection technology	3-conductor
Input voltage	24 V DC
Input voltage range "0" signal	-3 V DC ... 5 V DC
Input voltage range "1" signal	15 V DC ... 30 V DC
Nominal input voltage U_{IN}	24 V DC
Nominal input current at U_{IN}	min. 3 mA (at nominal voltage)
Typical response time	< 1 ms
Delay at signal change from 0 to 1	1 ms
Delay at signal change from 1 to 0	1 ms

Product properties

Type	modular
Product type	I/O component
Scope of delivery	including Inline connectors and marking fields
No. of channels	16
Operating mode	Process data mode with one word

Electrical properties

No. of channels	16
Maximum power dissipation for nominal condition	14.5 W

Potentials: Communications power (U_L)

Supply voltage	7.5 V DC (via voltage jumper)
Current draw	max. 60 mA
Power consumption	max. 0.45 W

Potentials: Segment circuit supply (U_S)

Supply voltage	24 V DC (via voltage jumper)
Supply voltage range	19.2 V DC ... 30 V DC (including all tolerances, including ripple)
Current draw	max. 4 A
	0 A

Connection data

Connection technology

Connection name	Inline connector
-----------------	------------------

Conductor connection

Digital module - IB IL 24 DI 16-PAC



2861250

<https://www.phoenixcontact.com/nz/products/2861250>

Connection method	Spring-cage connection
Conductor cross section solid	0.08 mm ² ... 1.5 mm ²
Conductor cross section flexible	0.08 mm ² ... 1.5 mm ²
Conductor cross section AWG	28 ... 16
Stripping length	8 mm

Inline connector

Connection method	Spring-cage connection
Conductor cross section, rigid	0.08 mm ² ... 1.5 mm ²
Stripping length	8 mm

Ambient conditions

Ambient temperature (operation)	-25 °C ... 55 °C
Degree of protection	IP20
Air pressure (operation)	70 kPa ... 106 kPa (up to 3000 m above sea level) 80 kPa ... 106 kPa (up to 3000 m above sea level, in ATEX Zone 2)
Air pressure (storage/transport)	70 kPa ... 106 kPa (up to 3000 m above sea level)
Ambient temperature (storage/transport)	-25 °C ... 85 °C
Permissible humidity (operation)	10 % ... 95 % (non-condensing)
Permissible humidity (storage/transport)	10 % ... 95 % (non-condensing)

Standards and regulations

Protection class	III (IEC 61140, EN 61140, VDE 0140-1)
------------------	---------------------------------------

Mounting

Mounting type	DIN rail mounting
---------------	-------------------

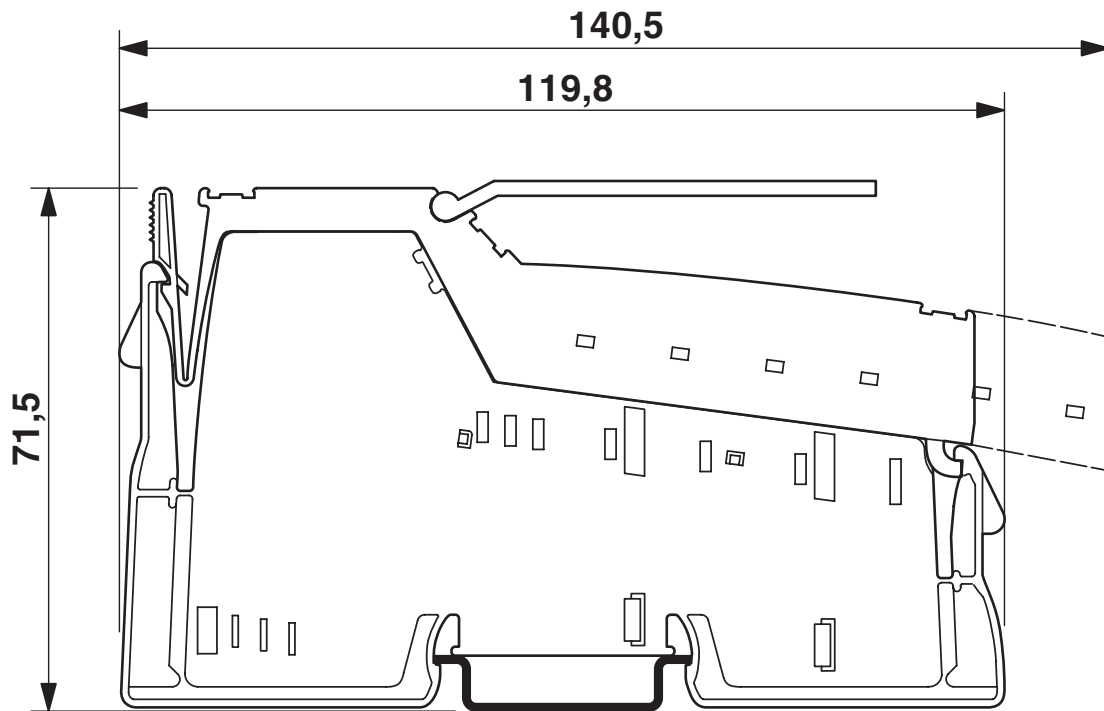
Digital module - IB IL 24 DI 16-PAC

2861250

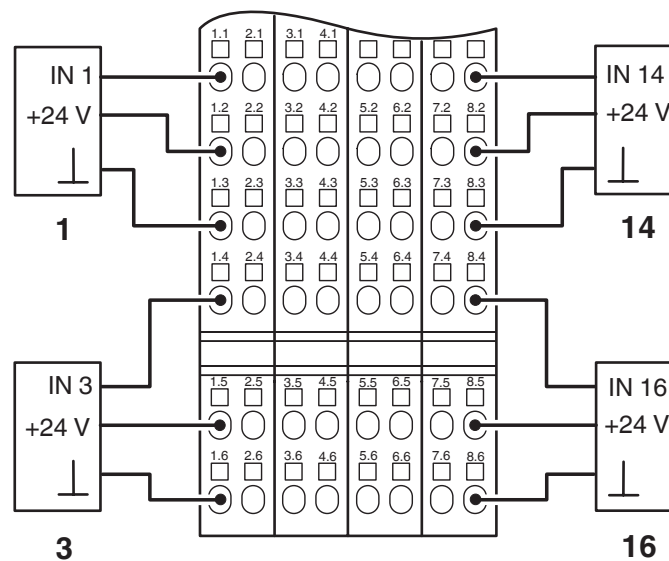
<https://www.phoenixcontact.com/nz/products/2861250>

Drawings

Dimensional drawing



Connection diagram

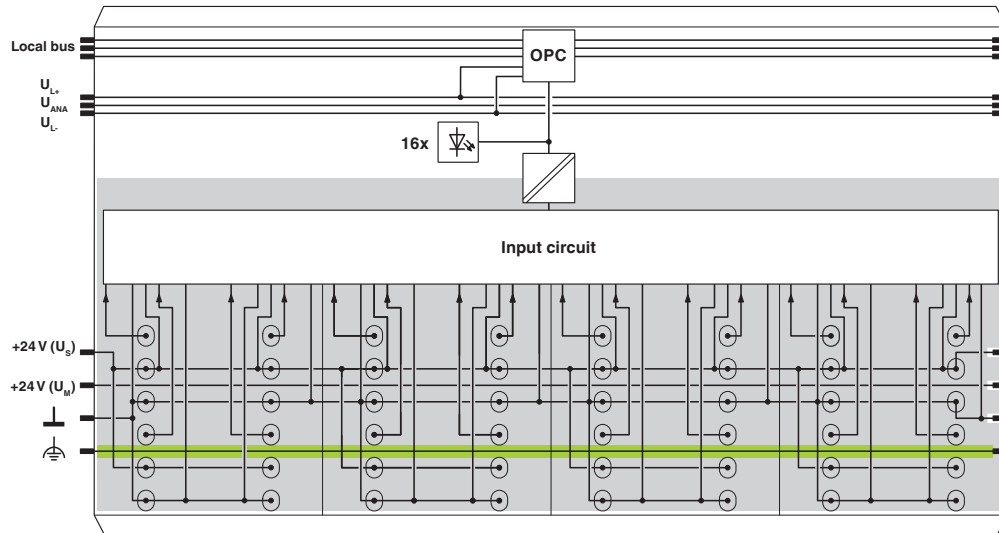


Digital module - IB IL 24 DI 16-PAC

2861250

<https://www.phoenixcontact.com/nz/products/2861250>

Block diagram



2861250

<https://www.phoenixcontact.com/nz/products/2861250>

Approvals



UL Recognized

Approval ID: FILE E 140324



EAC

Approval ID: TR TS_D_01921-19



DNV GL

Approval ID: TAA00000BN



LR

Approval ID: LR22191720TA



BV

Approval ID: 20989/B2_BV

BSH

Approval ID: 658a



RINA

Approval ID: ELE121121XG

ABS

Approval ID: 22-2226444-PDA

BSH

Approval ID: Anwenderhinweis



LR

Approval ID: LR22191720TA



ATEX

Approval ID: PxCIF07ATEX2862835X



cUL Listed

Approval ID: FILE E 199827

Digital module - IB IL 24 DI 16-PAC



2861250

<https://www.phoenixcontact.com/nz/products/2861250>



UL Listed

Approval ID: FILE E 199827

cULus Listed

2861250

<https://www.phoenixcontact.com/nz/products/2861250>

Classifications

ECLASS

ECLASS-9.0	27242604
ECLASS-10.0.1	27242604
ECLASS-11.0	27242604

ETIM

ETIM 8.0	EC001599
----------	----------

UNSPSC

UNSPSC 21.0	32151600
-------------	----------

Digital module - IB IL 24 DI 16-PAC

2861250

<https://www.phoenixcontact.com/nz/products/2861250>



Environmental Product Compliance

REACH SVHC

Lead 7439-92-1

Digital module - IB IL 24 DI 16-PAC

2861250

<https://www.phoenixcontact.com/nz/products/2861250>

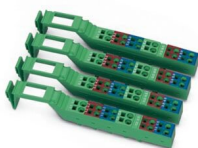


Accessories

Connector set

Connector set - IB IL DI16-PLSET/ICP - 2860989

<https://www.phoenixcontact.com/nz/products/2860989>



Connector set, for IB IL DI 16, copper, colored identification.

Inline connector

Inline connector - IB IL SCN-12-ICP - 2727611

<https://www.phoenixcontact.com/nz/products/2727611>



Connector, color coded, for digital 4, or 16-channel Inline input terminals

Digital module - IB IL 24 DI 16-PAC

2861250

<https://www.phoenixcontact.com/nz/products/2861250>

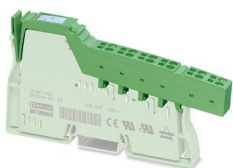


Inline connector

Inline connector - IB IL SCN-12 - 2726340

<https://www.phoenixcontact.com/nz/products/2726340>

Connector, for digital 4 or 16-channel Inline terminals



Labeling field

Labeling field - IB IL FIELD 2 - 2727501

<https://www.phoenixcontact.com/nz/products/2727501>

Labeling field, width: 12.2 mm



Digital module - IB IL 24 DI 16-PAC

2861250

<https://www.phoenixcontact.com/nz/products/2861250>



Labeling field

Labeling field - IB IL FIELD 8 - 2727515

<https://www.phoenixcontact.com/nz/products/2727515>

Labeling field, width: 48.8 mm



Insert strip

Insert strip - ESL 62X10 - 0809492

<https://www.phoenixcontact.com/nz/products/0809492>

Insert strip, Sheet, white, unlabeled, can be labeled with: Office printing systems:
Laser printer, mounting type: insert, lettering field size: 62 x 10 mm, Number of
individual labels: 72



Digital module - IB IL 24 DI 16-PAC



2861250

<https://www.phoenixcontact.com/nz/products/2861250>

Insert strip

Insert strip - ESL 62X46 - 0809502

<https://www.phoenixcontact.com/nz/products/0809502>

Insert strip, Sheet, white, unlabeled, can be labeled with: Office printing systems:
Laser printer, mounting type: insert, lettering field size: 62 x 46 mm, Number of
individual labels: 15

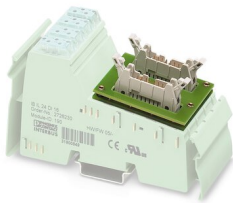


Front adapters

Front adapters - FLKM 14-PA-INLINE/IN16 - 2302751

<https://www.phoenixcontact.com/nz/products/2302751>

VARIOFACE front adapter for Inline modules, for transferring 16 (2 x 8) digital
input signals.



Phoenix Contact 2022 © - all rights reserved

<https://www.phoenixcontact.com>

PHOENIX CONTACT Ltd

Unit 15C, 906-930 Great South Road, Penrose

Auckland 1061

0508 474 636

sales@phoenixcontact.co.nz