

Power module - IB IL 24 PWR IN-PAC



2861331

<https://www.phoenixcontact.com/nz/products/2861331>

Please be informed that the data shown in this PDF document is generated from our Online Catalog. Please find the complete data in the user documentation. Our General Terms of Use for Downloads are valid.



Inline power terminal, complete with accessories (connector and labeling field), 24 V DC, without fuse

Product Description

The terminal is designed for use within an Inline station. It enables the 24 V supply voltage to be fed into the main circuit (U_M). In addition, this terminal can be used to supply power for a 24 V segment circuit (U_S).

Your advantages

- Supply of the 24 V main voltage U_{M}
- Feed-in or provision of the 24 V segment voltage U_S
- Main circuit protected by an external fuse
- Segment circuit can be protected by an external fuse

Commercial Data

Item number	2861331
Packing unit	1 pc
Minimum order quantity	1 pc
Sales Key	DNI121
Product Key	DRI121
Catalog Page	Page 110 (C-6-2019)
GTIN	4017918894276
Weight per Piece (including packing)	82.4 g
Weight per Piece (excluding packing)	59 g
Customs tariff number	85369000
Country of origin	DE

Power module - IB IL 24 PWR IN-PAC

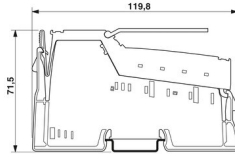


2861331

<https://www.phoenixcontact.com/nz/products/2861331>

Technical Data

Dimensions

Dimensional drawing	
Width	12.2 mm
Height	119.8 mm
Depth	71.5 mm

Notes

Utilization restriction

EMC note	EMC: class A product, see manufacturer's declaration in the download area
----------	---

Utilization restriction

CCCex note	Use in potentially explosive areas is not permitted in China.
------------	---

Material specifications

Color	green
-------	-------

Interfaces

Inline local bus

Number of interfaces	2
Connection method	Inline data jumper
Transmission speed	500 kbps / 2 Mbps (Can be used in Inline stations with these transmission speeds)

System properties

Module

ID code (dec.)	none
ID code (hex)	none
Process data channel	0 Bit
Input address area	0 Bit
Output address area	0 Bit
Register length	0 Bit
Required parameter data	0 Byte
Required configuration data	0 Byte

Product properties

Power module - IB IL 24 PWR IN-PAC



2861331

<https://www.phoenixcontact.com/nz/products/2861331>

Type	modular
Product type	I/O component
Number of plugs	1

Insulation characteristics

Protection class	III (IEC 61140, EN 61140, VDE 0140-1)
------------------	---------------------------------------

Electrical properties

Test section	7.5 V supply (bus logics)/24 V supply (I/O) 500 V AC 50 Hz 1 min.
	24 V supply (I/O) / functional ground 500 V AC 50 Hz 1 min.
	7.5 V supply (bus logic)/functional ground 500 V AC 50 Hz 1 min.
Protective circuit	Surge protection; Suppressor diode
	Reverse polarity protection; Parallel polarity protection diode
	Overload protection, short-circuit protection in the segment circuit; No

Potentials: Main circuit supply (U_M)

Supply voltage	24 V DC (via Inline connector)
Supply voltage range	19.2 V ... 30 V (including all tolerances, including ripple)
	max. 8 A (Sum of $U_M + U_S$; 4 A, maximum, when used in potentially explosive areas.)

Potentials: Segment circuit supply (U_S)

Supply voltage	24 V DC (via Inline connector)
Supply voltage range	19.2 V DC ... 30 V DC (including all tolerances, including ripple)
	max. 8 A (Sum of $U_M + U_S$; 4 A, maximum, when used in potentially explosive areas.)

Connection data

Connection technology

Connection name	Inline connector
-----------------	------------------

Conductor connection

Connection method	Spring-cage connection
Conductor cross section solid	0.08 mm ² ... 1.5 mm ²
Conductor cross section flexible	0.08 mm ² ... 1.5 mm ²
Conductor cross section AWG	28 ... 16
Stripping length	8 mm

Inline connector

Connection method	Spring-cage connection
Conductor cross section, rigid	0.08 mm ² ... 1.5 mm ²
Stripping length	8 mm

Ambient conditions

Degree of protection	IP20
----------------------	------

Power module - IB IL 24 PWR IN-PAC



2861331

<https://www.phoenixcontact.com/nz/products/2861331>

Ambient temperature (operation)	-25 °C ... 55 °C
Ambient temperature (storage/transport)	-25 °C ... 85 °C
Permissible humidity (operation)	10 % ... 95 % (non-condensing)
Permissible humidity (storage/transport)	10 % ... 95 % (non-condensing)
Air pressure (operation)	70 kPa ... 106 kPa (up to 3000 m above sea level) 80 kPa ... 106 kPa (up to 3000 m above sea level, in ATEX Zone 2)
Air pressure (storage/transport)	70 kPa ... 106 kPa (up to 3000 m above sea level)

Mounting

Mounting type	DIN rail mounting
---------------	-------------------

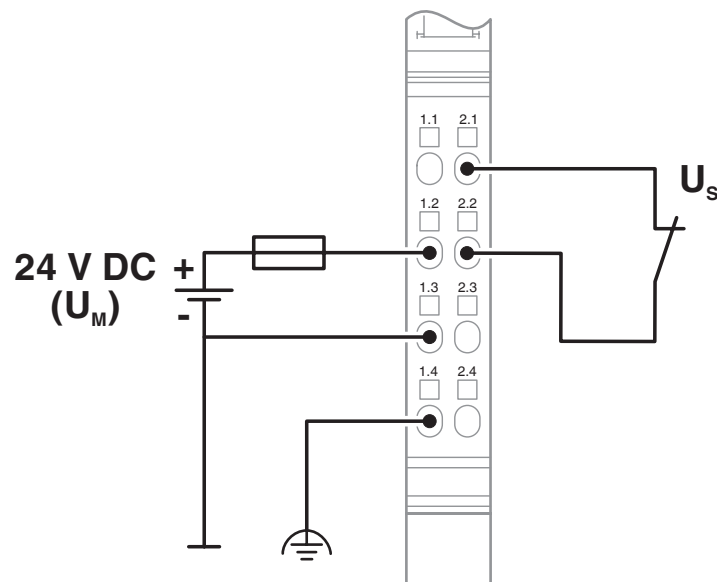
Power module - IB IL 24 PWR IN-PAC

2861331

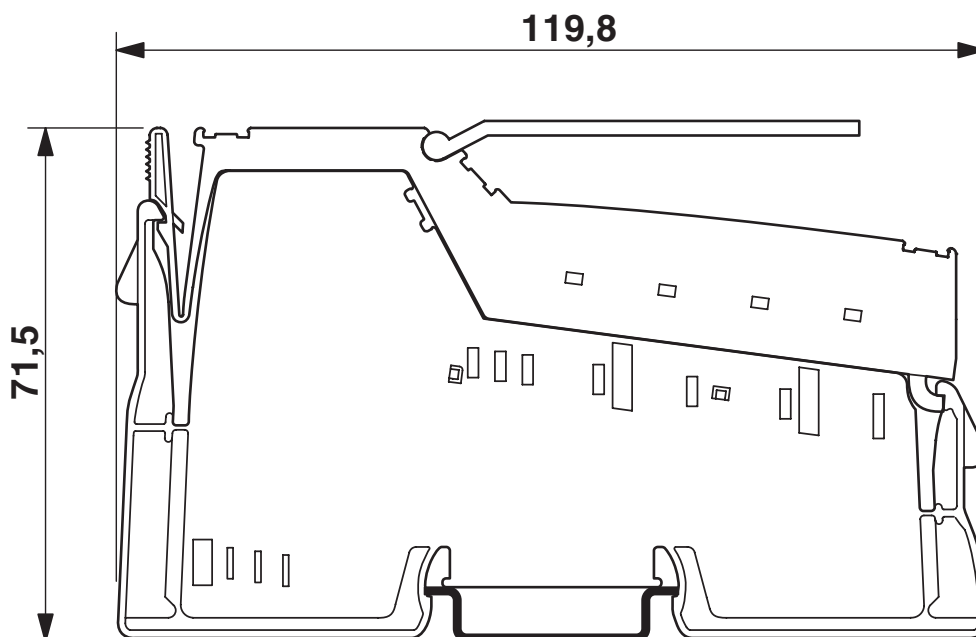
<https://www.phoenixcontact.com/nz/products/2861331>

Drawings

Connection diagram



Dimensional drawing



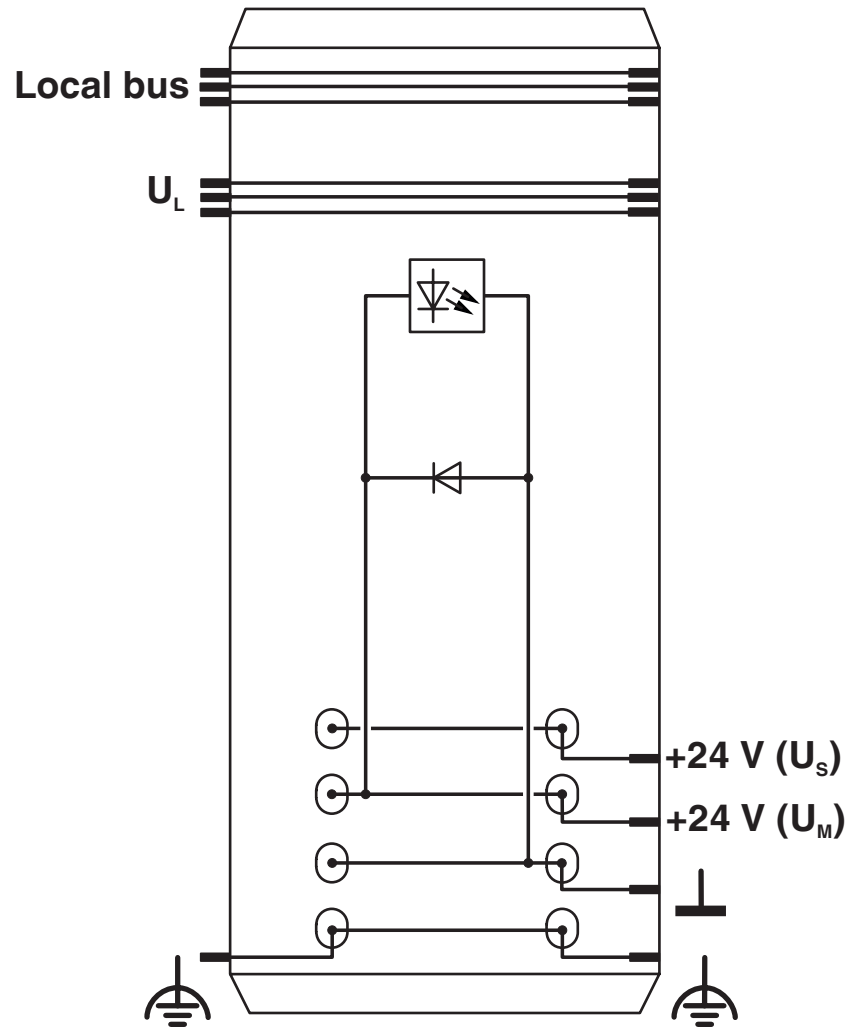
Power module - IB IL 24 PWR IN-PAC

2861331

<https://www.phoenixcontact.com/nz/products/2861331>



Block diagram



Internal wiring of the terminal points

Power module - IB IL 24 PWR IN-PAC



2861331

<https://www.phoenixcontact.com/nz/products/2861331>

Approvals



UL Recognized

Approval ID: FILE E 140324



EAC

Approval ID: TR TS_D_01921-19



DNV GL

Approval ID: TAA00000BN



LR

Approval ID: LR22191720TA



BV

Approval ID: 21595/C0 BV

BSH

Approval ID: 658a



RINA

Approval ID: ELE121121XG

ABS

Approval ID: 22-2226444-PDA

BSH

Approval ID: Anwenderhinweis



ATEX

Approval ID: PxCIF04ATEX2861331X



cUL Listed

Approval ID: FILE E 199827



UL Listed

Approval ID: FILE E 199827

Power module - IB IL 24 PWR IN-PAC

2861331

<https://www.phoenixcontact.com/nz/products/2861331>



cULus Listed

Power module - IB IL 24 PWR IN-PAC



2861331

<https://www.phoenixcontact.com/nz/products/2861331>

Classifications

ECLASS

ECLASS-9.0	27242610
ECLASS-10.0.1	27242610
ECLASS-11.0	27242610

ETIM

ETIM 8.0	EC001600
----------	----------

UNSPSC

UNSPSC 21.0	32151600
-------------	----------

Power module - IB IL 24 PWR IN-PAC



2861331

<https://www.phoenixcontact.com/nz/products/2861331>

Environmental Product Compliance

REACH SVHC	Lead 7439-92-1
China RoHS	Environmentally Friendly Use Period = 50 years
	For information on hazardous substances, refer to the manufacturer's declaration available under "Downloads"

Power module - IB IL 24 PWR IN-PAC

2861331

<https://www.phoenixcontact.com/nz/products/2861331>



Accessories

Inline connector

Inline connector - IB IL SCN-PWR IN-CP - 2727637

<https://www.phoenixcontact.com/nz/products/2727637>



Connector, colored, for Inline power and segment terminal blocks

Inline connector

Inline connector - IB IL SCN-PWR IN - 2727462

<https://www.phoenixcontact.com/nz/products/2727462>



Connector, for Inline power and segment terminal blocks

Power module - IB IL 24 PWR IN-PAC



2861331

<https://www.phoenixcontact.com/nz/products/2861331>

Labeling field

Labeling field - IB IL FIELD 2 - 2727501

<https://www.phoenixcontact.com/nz/products/2727501>

Labeling field, width: 12.2 mm



Insert strip

Insert strip - ESL 62X10 - 0809492

<https://www.phoenixcontact.com/nz/products/0809492>

Insert strip, Sheet, white, unlabeled, can be labeled with: Office printing systems:
Laser printer, mounting type: insert, lettering field size: 62 x 10 mm, Number of
individual labels: 72



Phoenix Contact 2022 © - all rights reserved

<https://www.phoenixcontact.com>

PHOENIX CONTACT Ltd

Unit 15C, 906-930 Great South Road, Penrose

Auckland 1061

0508 474 636

sales@phoenixcontact.co.nz