

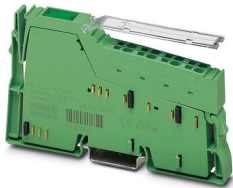
Analog module - IB IL AI 2/SF-ME



2863944

<https://www.phoenixcontact.com/nz/products/2863944>

Please be informed that the data shown in this PDF document is generated from our Online Catalog. Please find the complete data in the user documentation. Our General Terms of Use for Downloads are valid.



Inline, Analog input terminal, Analog inputs: 2, 0 V ... 10 V, -10 V ... 10 V, 0 mA ... 20 mA, 4 mA ... 20 mA, -20 mA ... 20 mA, connection technology: 2-conductor, transmission speed in the local bus: 500 kbps, degree of protection: IP20, including Inline connector and labeling field

Product Description

The terminal is designed for use within an Inline station. It is used to acquire analog voltage and current signals.

Your advantages

- 2 analog single-ended signal inputs for the connection of either voltage or current signals
- Connection of sensors in 2-conductor technology
- Current ranges: 0 mA ... 20 mA, 4 mA ... 20 mA, ± 20 mA
- Voltage ranges: 0 V ... 10 V, ± 10 V
- The channels are parameterized independently of one another via the bus system
- Measured values can be represented in four different formats
- Resolution: 12 bits + sign bit
- Process data update of both channels within a max. of 1.5 ms

Commercial Data

Item number	2863944
Packing unit	1 pc
Minimum order quantity	1 pc
Sales Key	DNI141
Product Key	DRI141
Catalog Page	Page 134 (C-6-2019)
GTIN	4017918962654
Weight per Piece (including packing)	81.5 g
Weight per Piece (excluding packing)	81.5 g
Customs tariff number	85389090
Country of origin	DE

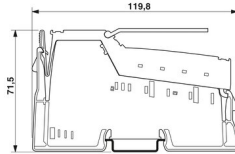
Analog module - IB IL AI 2/SF-ME

2863944

<https://www.phoenixcontact.com/nz/products/2863944>

Technical Data

Dimensions

Dimensional drawing	
Width	12.2 mm
Height	119.8 mm
Depth	71.5 mm
Note on dimensions	Housing dimensions

Notes

Utilization restriction

CCEx note	Use in potentially explosive areas is not permitted in China.
-----------	---

Material specifications

Color	green
-------	-------

Interfaces

Inline local bus

Number of interfaces	2
Connection method	Inline data jumper
Transmission speed	500 kbps

System properties

Module

ID code (dec.)	127
ID code (hex)	7F
Length code (hex)	02
Length code (dec)	02
Process data channel	32 Bit
Input address area	4 Byte
Output address area	4 Byte
Register length	32 Bit
Required parameter data	6 Byte
Required configuration data	4 Byte

Input data

Analog module - IB IL AI 2/SF-ME



2863944

<https://www.phoenixcontact.com/nz/products/2863944>

Analog

Input name	Analog inputs
Description of the input	Single-ended inputs, voltage or current
Number of inputs	2
A/D conversion time	typ. 120 µs (per channel)
Connection method	Inline connector
Connection technology	2-conductor
Current input signal	0 mA ... 20 mA 4 mA ... 20 mA -20 mA ... 20 mA
Input resistance current input	50 Ω (Shunt)
Voltage input signal	0 V ... 10 V -10 V ... 10 V
Input resistance of voltage input	> 220 kΩ
Data formats	IB IL, IB ST, IB RT, standardized representation
Limit frequency (3 dB)	40 Hz
Common mode voltage range signal - ground	40 V (Between current input and functional ground) 40 V (between voltage input and functional ground)
Measuring principle	Successive approximation
Measured value resolution	13 bits (12 bits + sign bit)
Measured value representation	13 bits (12 bits + sign bit)
Protective circuit	Surge protection; Suppressor diodes in the analog inputs

Product properties

Type	modular
Product type	I/O component
Scope of delivery	including Inline connector and labeling field
Operating mode	Process data operation with 2 words
Diagnostics messages	Failure of the internal I/O supply Yes I/O error Error message in the process data User error Error message in the process data

Electrical properties

Maximum power dissipation for nominal condition	1.87 W
---	--------

Potentials

Power consumption	typ. 662 mW max. 882 mW
-------------------	----------------------------

Potentials: Communications power (U_L)

Supply voltage	7.5 V DC (via voltage jumper)
Current draw	max. 60 mA typ. 45 mA

Potentials: Supply of analog modules (U_{ANA})

Analog module - IB IL AI 2/SF-ME



2863944

<https://www.phoenixcontact.com/nz/products/2863944>

Supply voltage	24 V DC (via voltage jumper)
Supply voltage range	19.2 V DC ... 30 V DC (including all tolerances, including ripple)
Current draw	max. 18 mA
	typ. 13 mA

Connection data

Connection technology

Connection name	Inline connector
-----------------	------------------

Conductor connection

Connection method	Spring-cage connection
Conductor cross section solid	0.08 mm ² ... 1.5 mm ²
Conductor cross section flexible	0.08 mm ² ... 1.5 mm ²
Conductor cross section AWG	28 ... 16
Stripping length	8 mm

Inline connector

Connection method	Spring-cage connection
Conductor cross section, rigid	0.08 mm ² ... 1.5 mm ²
Stripping length	8 mm

Ambient conditions

Ambient temperature (operation)	-25 °C ... 55 °C
Degree of protection	IP20
Air pressure (operation)	70 kPa ... 106 kPa (up to 3000 m above sea level)
Air pressure (storage/transport)	70 kPa ... 106 kPa (up to 3000 m above sea level)
Ambient temperature (storage/transport)	-25 °C ... 85 °C
Permissible humidity (operation)	10 % ... 95 % (non-condensing)
Permissible humidity (storage/transport)	10 % ... 95 % (non-condensing)

Standards and regulations

Protection class	III (IEC 61140, EN 61140, VDE 0140-1)
------------------	---------------------------------------

Mounting

Mounting type	DIN rail mounting
---------------	-------------------

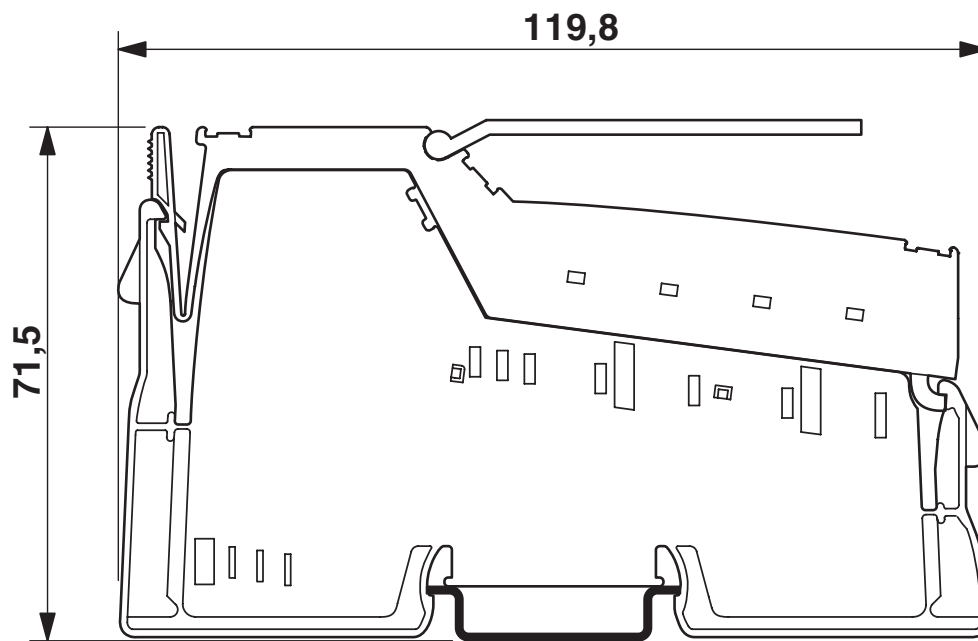
Analog module - IB IL AI 2/SF-ME

2863944

<https://www.phoenixcontact.com/nz/products/2863944>

Drawings

Dimensional drawing



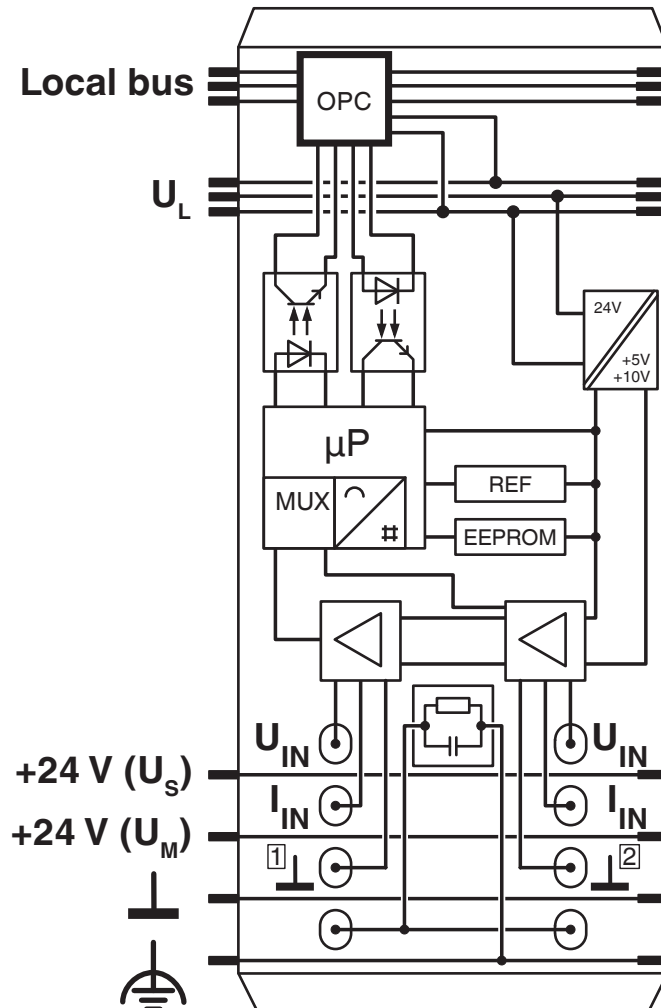
Analog module - IB IL AI 2/SF-ME

2863944

<https://www.phoenixcontact.com/nz/products/2863944>



Block diagram



Internal wiring of the terminal points

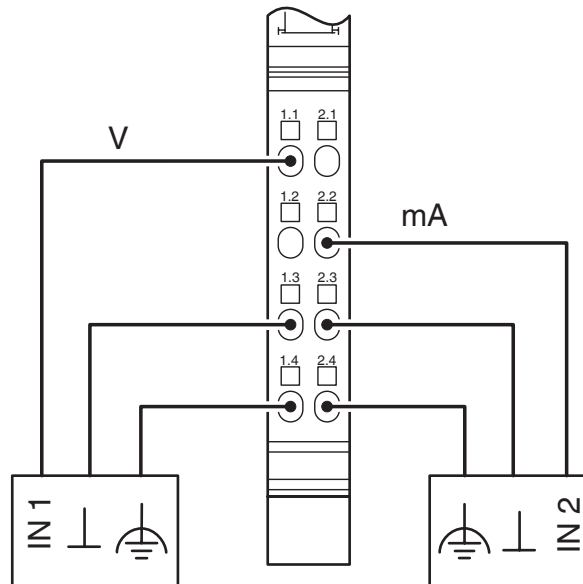
Analog module - IB IL AI 2/SF-ME

2863944

<https://www.phoenixcontact.com/nz/products/2863944>



Connection diagram



Connection example

Analog module - IB IL AI 2/SF-ME



2863944

<https://www.phoenixcontact.com/nz/products/2863944>

Approvals



cUL Recognized
Approval ID: FILE E 140324



UL Recognized
Approval ID: FILE E 140324



EAC
Approval ID: TR TS_D_01921-19



cUL Listed
Approval ID: FILE E 199827



UL Listed
Approval ID: FILE E 199827

cULus Recognized

cULus Listed

Analog module - IB IL AI 2/SF-ME



2863944

<https://www.phoenixcontact.com/nz/products/2863944>

Classifications

ECLASS

ECLASS-9.0	27242601
ECLASS-10.0.1	27242601
ECLASS-11.0	27242601
ECLASS-12.0	27242601

ETIM

ETIM 8.0	EC001596
----------	----------

UNSPSC

UNSPSC 21.0	32151600
-------------	----------

Analog module - IB IL AI 2/SF-ME



2863944

<https://www.phoenixcontact.com/nz/products/2863944>

Environmental Product Compliance

REACH SVHC	Lead 7439-92-1
China RoHS	Environmentally Friendly Use Period = 50 years
	For information on hazardous substances, refer to the manufacturer's declaration available under "Downloads"

Analog module - IB IL AI 2/SF-ME



2863944

<https://www.phoenixcontact.com/nz/products/2863944>

Accessories

Labeling field

Labeling field - IB IL FIELD 2 - 2727501

<https://www.phoenixcontact.com/nz/products/2727501>

Labeling field, width: 12.2 mm



Insert strip

Insert strip - ESL 62X10 - 0809492

<https://www.phoenixcontact.com/nz/products/0809492>

Insert strip, Sheet, white, unlabeled, can be labeled with: Office printing systems:
Laser printer, mounting type: insert, lettering field size: 62 x 10 mm, Number of
individual labels: 72



Phoenix Contact 2022 © - all rights reserved

<https://www.phoenixcontact.com>

PHOENIX CONTACT Ltd

Unit 15C, 906-930 Great South Road, Penrose

Auckland 1061

0508 474 636

sales@phoenixcontact.co.nz