

RJ45 connector - CUC-IND-C1ZNI-T/R4IP8



1421128

<https://www.phoenixcontact.com/pc/products/1421128>

Please be informed that the data shown in this PDF document is generated from our Online Catalog. Please find the complete data in the user documentation. Our General Terms of Use for Downloads are valid.



RJ45 connector, type: RJ45, degree of protection: IP20, number of positions: 8, 1 Gbps, CAT5 (IEC 11801:2002), material: Zinc die-cast, connection method: IDC fast connection, connection cross section: AWG 23- 22, cable outlet: angled, Ethernet/PROFINET

Your advantages

- assembly without special tools
- One-Piece Design
- AWG 23-22
- 360° shielding
- High shock and vibration resistance

RJ45 connector - CUC-IND-C1ZNI-T/R4IP8



1421128

<https://www.phoenixcontact.com/pc/products/1421128>

Commercial Data

Item number	1421128
Packing unit	1 pc
Minimum order quantity	1 pc
Product Key	ABNAAA
Catalog Page	Page 373 (C-2-2019)
GTIN	4055626254678
Weight per Piece (including packing)	31.6 g
Weight per Piece (excluding packing)	31 g
Customs tariff number	85366990
Country of origin	PL

1421128

<https://www.phoenixcontact.com/pc/products/1421128>

Technical Data

Product properties

Type	RJ45
Product type	Data plug
Number of positions	8
Connection profile	RJ45
No. of cable outlets	1
Type	RJ45
Shielded	no
Cable outlet	angled

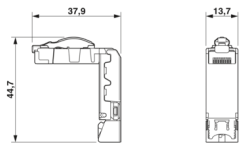
Insulation characteristics

Overvoltage category	I
----------------------	---

Electrical properties

Rated voltage (III/3)	72 V (DC)
Rated current	1.75 A
Frequency range	to 100 MHz
Nominal voltage U_N	48 V
Contact resistance	0.001 Ω (Wire – IDC) 0.005 Ω (Litz wires – IDC)

Dimensions

Dimensional drawing	
Width	37.9 mm
Height	41.2 mm
Length	13.6 mm

Material specifications

Material	Plastic
Flammability rating according to UL 94	V0
Cable seal material	NBR
Contact material	Copper alloy
Contact surface material	Gold over nickel
Contact carrier material	PC
O-ring material	FPM
Housing material	Zinc die-cast

Connector

RJ45 connector - CUC-IND-C1ZNI-T/R4IP8



1421128

<https://www.phoenixcontact.com/pc/products/1421128>

Insertion/withdrawal cycles	≥ 750
-----------------------------	-------

Cable / line

Cable structure

External cable diameter	5 mm ... 9 mm
	5 mm ... 9 mm
Wire diameter including insulation	≤ 1.6 mm

Environmental and real-life conditions

Ambient conditions

Degree of protection	IP20
Ambient temperature (operation)	-40 °C ... 70 °C

RJ45 connector - CUC-IND-C1ZNI-T/R4IP8

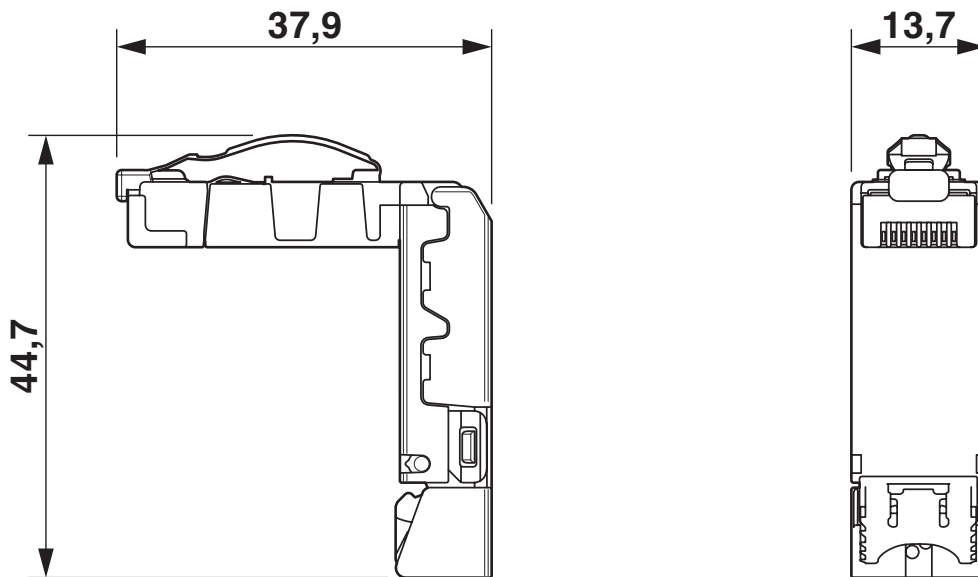
1421128

<https://www.phoenixcontact.com/pc/products/1421128>



Drawings

Dimensional drawing



RJ45 connector, IP20

RJ45 connector - CUC-IND-C1ZNI-T/R4IP8



1421128

<https://www.phoenixcontact.com/pc/products/1421128>

Approvals



EAC

Approval ID: B.01687



cULus Recognized

Approval ID: E335024-20170228

	Nominal Voltage U_N	Nominal Current I_N	Cross Section AWG	Cross Section mm^2
	56.5 V	0.175 A	-	-

RJ45 connector - CUC-IND-C1ZNI-T/R4IP8



1421128

<https://www.phoenixcontact.com/pc/products/1421128>

Classifications

ECLASS

ECLASS-9.0	27440101
ECLASS-10.0.1	27440101
ECLASS-11.0	27440101
ECLASS-12.0	27440113

ETIM

ETIM 8.0	EC002636
----------	----------

UNSPSC

UNSPSC 21.0	39121400
-------------	----------

RJ45 connector - CUC-IND-C1ZNI-T/R4IP8



1421128

<https://www.phoenixcontact.com/pc/products/1421128>

Environmental Product Compliance

China RoHS	Environmentally friendly use period: unlimited = EFUP-e
	No hazardous substances above threshold values

RJ45 connector - CUC-IND-C1ZNI-T/R4IP8



1421128

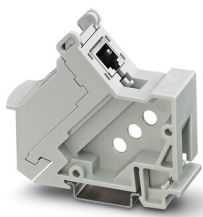
<https://www.phoenixcontact.com/pc/products/1421128>

Accessories

DIN rail adapter

DIN rail adapter - VS-PP-F-RJ45-CAT6 - 1658118

<https://www.phoenixcontact.com/pc/products/1658118>

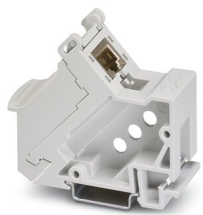


DIN rail adapter, degree of protection: IP20, number of positions: 8, 1 Gbps, CAT6, material: PC-GF, connection method: IDC fast connection, connection cross section: AWG 24- 22, color: gray

DIN rail adapter

DIN rail adapter - CUC-PP-D1PGY/R4GC8 - 1418094

<https://www.phoenixcontact.com/pc/products/1418094>



DIN rail adapter, type: RJ45, degree of protection: IP20, number of positions: 8, 1 Gbps, CAT6, material: PC-GF, connection method: Coupling, color: gray

RJ45 connector - CUC-IND-C1ZNI-T/R4IP8

1421128

<https://www.phoenixcontact.com/pc/products/1421128>

Network cable

Network cable - VS-OE-OE-93B-100,0 - 1416389

<https://www.phoenixcontact.com/pc/products/1416389>



Network cable, PROFINET CAT5 (100 Mbps), 4-position, shielded, free cable end, on free cable end, cable length: 100 m

Network cable

Network cable - VS-OE-OE-93B/... - 1417362

<https://www.phoenixcontact.com/pc/products/1417362>



Network cable, PROFINET CAT5 (100 Mbps), 4-position, shielded, free cable end, on free cable end, cable length: Free entry (0.5 ... 400 m)

RJ45 connector - CUC-IND-C1ZNI-T/R4IP8

1421128

<https://www.phoenixcontact.com/pc/products/1421128>

Network cable

Network cable - VS-OE-OE-937/... - 1402687

<https://www.phoenixcontact.com/pc/products/1402687>



Network cable, PROFINET CAT5 (100 Mbps), 4-position halogen-free, shielded, free cable end, on free cable end, cable length: Free entry (0.5 ... 400 m), For railway applications

Network cable

Network cable - VS-OE-OE-93R/... - 1417388

<https://www.phoenixcontact.com/pc/products/1417388>



Network cable, PROFINET CAT5 (100 Mbps), 4-position halogen-free, shielded, free cable end, on free cable end, cable length: Free input (0.5 ... 100 m), for robots

RJ45 connector - CUC-IND-C1ZNI-T/R4IP8

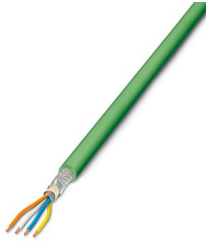
1421128

<https://www.phoenixcontact.com/pc/products/1421128>

Network cable

Network cable - VS-93A/... - 1416486

<https://www.phoenixcontact.com/pc/products/1416486>



Network cable, PROFINET CAT5 (100 Mbps), 4-position, free cable end, on free cable end

Network cable

Network cable - VS-OE-OE-93C/... - 1417491

<https://www.phoenixcontact.com/pc/products/1417491>



Network cable, PROFINET CAT5 (100 Mbps), 4-position halogen-free, shielded, free cable end, on free cable end, cable length: Free entry (0.5 ... 400 m), For drag chains

RJ45 connector - CUC-IND-C1ZNI-T/R4IP8



1421128

<https://www.phoenixcontact.com/pc/products/1421128>

Diagonal cutter

Diagonal cutter - MICROFOX-SP-1 - 1212487

<https://www.phoenixcontact.com/pc/products/1212487>



Electronic diagonal cutter, tapered head, without chamfer, with opening spring, non-reflective phosphate-treated surface, punched version

Stripping tool

Stripping tool - VS-CABLE-STRIP-VARIO - 1657407

<https://www.phoenixcontact.com/pc/products/1657407>

Stripping tool, for the multi-level stripping of shielded cables



RJ45 connector - CUC-IND-C1ZNI-T/R4IP8

1421128

<https://www.phoenixcontact.com/pc/products/1421128>

Marker for terminal blocks

Marker for terminal blocks - TMT 5 R - 0816430

<https://www.phoenixcontact.com/pc/products/0816430>

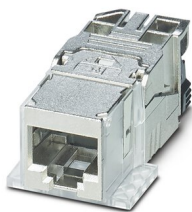


Marker for terminal blocks, Roll, white, unlabeled, can be labeled with: THERMOMARK ROLL 2.0, THERMOMARK ROLL, THERMOMARK ROLL X1, THERMOMARK ROLLMASTER 300/600, THERMOMARK X1.2, THERMOMARK S1.1, perforated, mounting type: snap in, snap into flat marker groove, for terminal block width: 5.2 mm, lettering field size: 6.4 x 5.15 mm, Number of individual labels: 19000

RJ45 socket insert

RJ45 socket insert - CUC-F-J1ZNI-S/R4IDC8 - 1418984

<https://www.phoenixcontact.com/pc/products/1418984>



RJ45 socket insert, type: RJ45, degree of protection: IP20, number of positions: 8, 10 Gbps, CAT6_A, material: Zinc die-cast, connection method: IDC connection, connection cross section: AWG 26- 22, Freenet design for use with IP67 panel mounting frame and terminal outlets

RJ45 connector - CUC-IND-C1ZNI-T/R4IP8



1421128

<https://www.phoenixcontact.com/pc/products/1421128>

RJ45 socket insert

RJ45 socket insert - CUC-K-J1ZNI-S/R4IDC8 - 1419021

<https://www.phoenixcontact.com/pc/products/1419021>



RJ45 socket insert, type: RJ45, degree of protection: IP20, number of positions: 8, 10 Gbps, CAT6_A, material: Zinc die-cast, connection method: IDC connection, connection cross section: AWG 26- 22, Keystone design for use with IP20 panel mounting frame or integrated directly into the housing panel

Phoenix Contact 2022 © - all rights reserved

<https://www.phoenixcontact.com>

PHOENIX CONTACT GmbH & Co. KG

Flachsmarktstraße 8

D-32825 Blomberg

+49 (0) 5235-3 00

info@phoenixcontact.com