

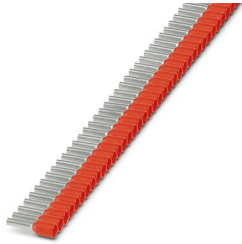
Ferrule - AI 1,0-8 RD S1

1200106

<https://www.phoenixcontact.com/pc/products/1200106>



Please be informed that the data shown in this PDF document is generated from our Online Catalog. Please find the complete data in the user documentation. Our General Terms of Use for Downloads are valid.



Taped ferrules, 1.0 mm², sleeve length 8 mm, with plastic collar, according to DIN 46228-4, red, for processing with the CRIMPFOX 4 IN 1, 10 strips each with 50 sleeves per strip.

Ferrule - AI 1,0-8 RD S1



1200106

<https://www.phoenixcontact.com/pc/products/1200106>

Commercial Data

Item number	1200106
Packing unit	500 pc
Minimum order quantity	500 pc
Product Key	BH3415
Catalog Page	Page 415 (C-3-2019)
GTIN	4055626043036
Weight per Piece (including packing)	0.101 g
Weight per Piece (excluding packing)	0.101 g
Customs tariff number	85369010
Country of origin	DE

Ferrule - AI 1,0-8 RD S1

1200106

<https://www.phoenixcontact.com/pc/products/1200106>

Technical Data

Product properties

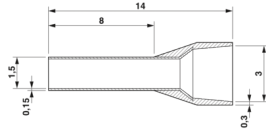
Product type	Ferrule
Conductor category	Stranded conductors, class 2, 5, 6 / B, C, K, M

Connection data

Conductor connection

Conductor cross section flexible max.	1 mm ²
Conductor cross section AWG max.	18
Stripping length	11 mm

Dimensions

Dimensional drawing	
Length	14 mm
Sleeve length	8 mm
Maximum stripping length	11 mm
Ferrule diameter	1.5 mm
Sleeve wall thickness	0.15 mm
Insulating collar thickness	0.3 mm
Inner dimensions of the insulating collar	3 mm

Material specifications

Color	red
Material	CU-DHP
Flammability rating according to UL 94	HB
Coating	tin-plated (galvanic)
Components	free from silicone and halogen

Connector

Material	CU-DHP
Material	CU-DHP

Mechanical properties

Technical data

Sleeve length	8 mm
---------------	------

Environmental and real-life conditions

Ferrule - AI 1,0-8 RD S1



1200106

<https://www.phoenixcontact.com/pc/products/1200106>

Ambient conditions

Permanent temperature	105 °C (-40°C no load / 0°C dynamic load)
Short-term temperature	120 °C

Standards and regulations

Design according to standard	DIN 46228-4:2017-05
------------------------------	---------------------

Ferrule - AI 1,0-8 RD S1

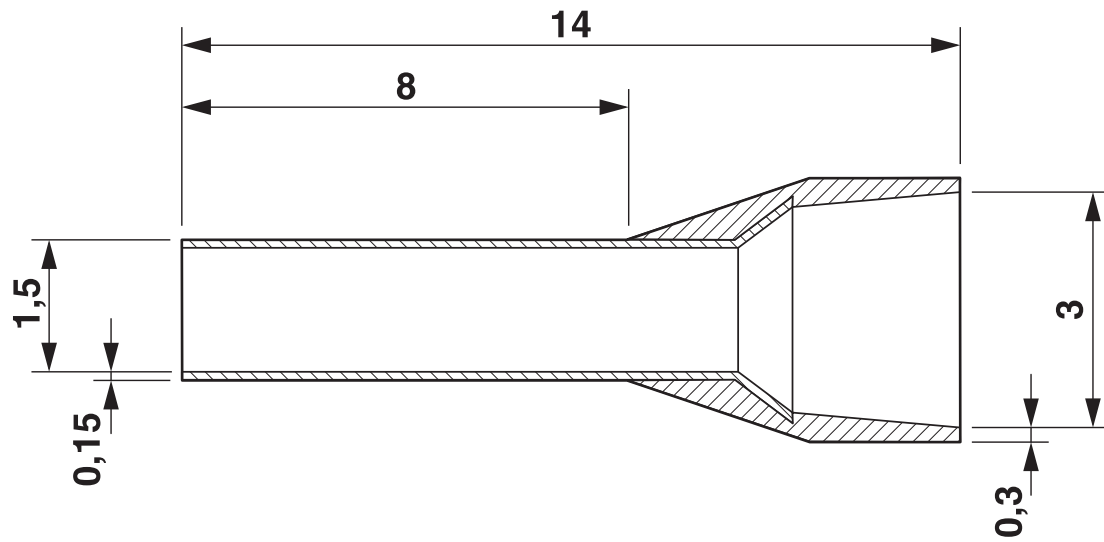
1200106

<https://www.phoenixcontact.com/pc/products/1200106>



Drawings

Dimensional drawing



Ferrule - AI 1,0-8 RD S1



1200106

<https://www.phoenixcontact.com/pc/products/1200106>

Approvals



CSA

Approval ID: 247397



UL Listed

Approval ID: E488001

	Nominal Voltage U_N	Nominal Current I_N	Cross Section AWG	Cross Section mm^2
			-	-



cUL Listed

Approval ID: E488001

	Nominal Voltage U_N	Nominal Current I_N	Cross Section AWG	Cross Section mm^2
			-	-

cULus Listed

Ferrule - AI 1,0-8 RD S1



1200106

<https://www.phoenixcontact.com/pc/products/1200106>

Classifications

ECLASS

ECLASS-9.0	27400201
ECLASS-10.0.1	27400201
ECLASS-11.0	27400201

ETIM

ETIM 8.0	EC000005
----------	----------

UNSPSC

UNSPSC 21.0	27121700
-------------	----------

Ferrule - AI 1,0-8 RD S1

1200106

<https://www.phoenixcontact.com/pc/products/1200106>



Environmental Product Compliance

China RoHS	Environmentally friendly use period: unlimited = EFUP-e
	No hazardous substances above threshold values

Ferrule - AI 1,0-8 RD S1

1200106

<https://www.phoenixcontact.com/pc/products/1200106>



Accessories

Multi-function tool

Multi-function tool - CRIMPFOX 4 IN 1 - 1200101

<https://www.phoenixcontact.com/pc/products/1200101>



Tool for processing ferrules according to DIN 46228-4, 0.5 mm² to 2.5 mm², equipped with pressure lock, magazine, cutting, stripping, twisting, and crimping unit.

Phoenix Contact 2022 © - all rights reserved
<https://www.phoenixcontact.com>

PHOENIX CONTACT GmbH & Co. KG
Flachsmarktstraße 8
D-32825 Blomberg
+49 (0) 5235-3 00
info@phoenixcontact.com