

# Connector - SACC-M12FR-12SOL-PG 9-M



1404423

<https://www.phoenixcontact.com/pc/products/1404423>

Please be informed that the data shown in this PDF document is generated from our Online Catalog. Please find the complete data in the user documentation. Our General Terms of Use for Downloads are valid.

---

Connector, Universal, 12-position, Socket angled M12, Coding: A, Solder connection, knurl material: Zinc die-cast, nickel-plated, cable gland Pg9, external cable diameter 6 mm ... 8 mm



---

## Your advantages

- Safe use in the field, thanks to a high degree of protection
- Save space – with high-pos. connectors

# Connector - SACC-M12FR-12SOL-PG 9-M



1404423

<https://www.phoenixcontact.com/pc/products/1404423>

## Commercial Data

Item number	1404423
Packing unit	1 pc
Minimum order quantity	1 pc
Product Key	BF2CGA
Catalog Page	Page 26 (C-2-2019)
GTIN	4046356694544
Weight per Piece (including packing)	25.48 g
Weight per Piece (excluding packing)	25 g
Customs tariff number	85366990
Country of origin	DE

1404423

<https://www.phoenixcontact.com/pc/products/1404423>

## Technical Data

### Notes

Assembly instruction:

**NOTE:** Observe the permissible bending radii when laying conductors, since the degree of protection may be put in jeopardy if the bending forces are too high. Alleviate mechanical loads upstream of the connector, e.g. by using cable ties.

### Product properties

Product type	Circular connector (cable-side)
Number of positions	12
No. of cable outlets	1
Shielded	no
Coding	A - standard
Cable outlet	angled
Pg screw connection	Pg9

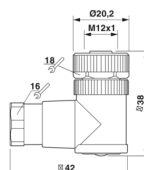
### Insulation characteristics

Overvoltage category	II
Degree of pollution	3

### Ambient conditions

Degree of protection	IP67
Ambient temperature (operation)	-40 °C ... 85 °C (Plug / socket)

### Dimensions

Dimensional drawing	
Width	20.2 mm
Height	42 mm
Length	38 mm

### External dimensions

Outside diameter	6 mm ... 8 mm
------------------	---------------

### Housing

Diameter housing	20.2 mm
------------------	---------

### Connector

Insertion/withdrawal cycles	≥ 100
-----------------------------	-------

### Header 1

# Connector - SACC-M12FR-12SOL-PG 9-M



1404423

<https://www.phoenixcontact.com/pc/products/1404423>

Head design	Socket
Head cable outlet	angled
Head thread type	M12
Coding	A-coded
Number of positions	12
Coding	A - standard
Insertion/withdrawal cycles	≥ 100
Connection method	Solder connection
Contact material	CuZn
Contact surface material	Au
Number of positions	12
Coding	A - standard
Insertion/withdrawal cycles	≥ 100
Connection method	Solder connection
Contact material	CuZn
Contact surface material	Au

## Electrical properties

Rated surge voltage	0.5 kV
Contact resistance	≤ 3 mΩ
Insulation resistance	> 10 GΩ
Nominal voltage $U_N$	30 V AC
	30 V DC
Nominal current $I_N$	1.5 A (up to 40 °C)

## Material specifications

Color Handle area	black
Flammability rating according to UL 94	HB
Sealing material	NBR
Material of grip body	PA
Contact material	CuZn
Contact surface material	Au
Contact carrier material	PA
Cable gland material	Zinc die-cast, nickel-plated

## Connection data

### Conductor connection

Connection method	Solder connection
Conductor cross section flexible	0.08 mm <sup>2</sup> ... 0.25 mm <sup>2</sup>
Cross section AWG	28 ... 24

## Mounting

Assembly instructions	The connector pin assignment can be rotated 90° to the cable outlet
-----------------------	---

# Connector - SACC-M12FR-12SOL-PG 9-M



1404423

<https://www.phoenixcontact.com/pc/products/1404423>

## Standards and regulations

Standards/specifications	IEC 61076-2-101
--------------------------	-----------------

## Cable / line

### Cable structure

Signal type/category	Universal
Stripping length of the individual wire	4 mm

# Connector - SACC-M12FR-12SOL-PG 9-M

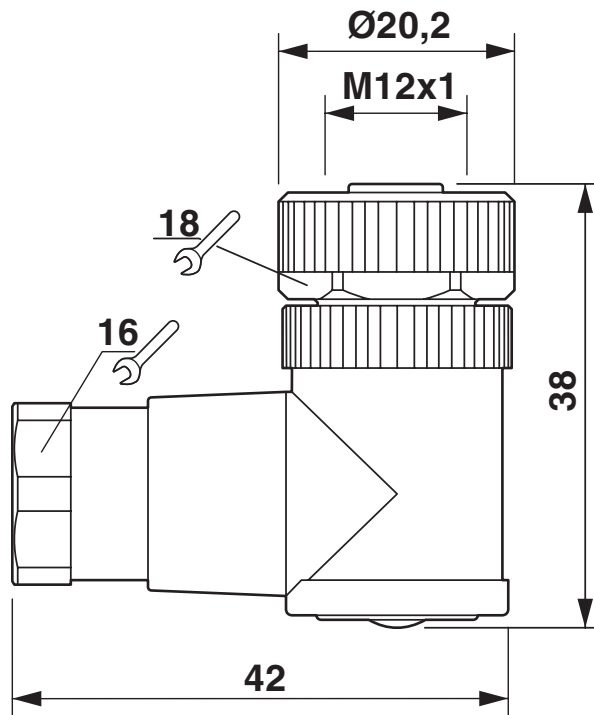
1404423

<https://www.phoenixcontact.com/pc/products/1404423>



## Drawings

Dimensional drawing

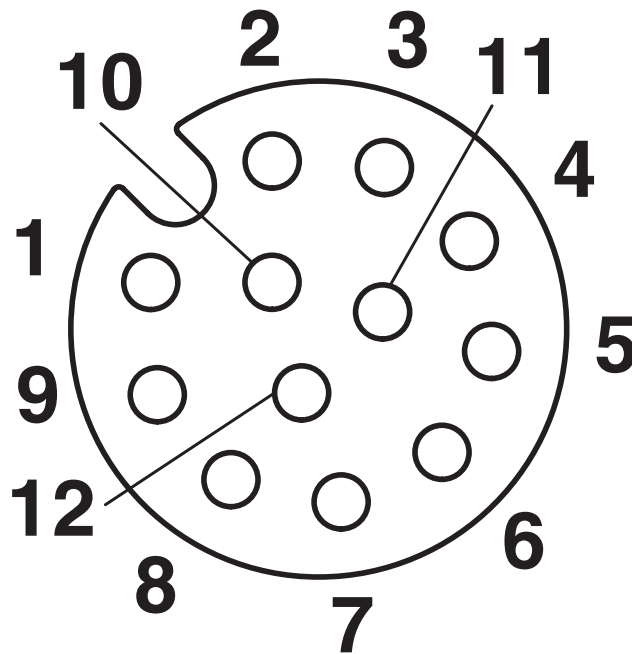


M12 x 1 socket, angled

1404423

<https://www.phoenixcontact.com/pc/products/1404423>

Schematic diagram



Pin assignment M12 socket, 12-pos., A-coded, view female side


# Connector - SACC-M12FR-12SOL-PG 9-M



1404423

<https://www.phoenixcontact.com/pc/products/1404423>

## Approvals

 <b>cUL Recognized</b> Approval ID: FILE E 221474				
	Nominal Voltage $U_N$	Nominal Current $I_N$	Cross Section AWG	Cross Section $\text{mm}^2$
	30 V	1 A	-	-

 <b>UL Recognized</b> Approval ID: FILE E 221474				
	Nominal Voltage $U_N$	Nominal Current $I_N$	Cross Section AWG	Cross Section $\text{mm}^2$
	30 V	1 A	-	-

**cULus Recognized**



# Connector - SACC-M12FR-12SOL-PG 9-M



1404423

<https://www.phoenixcontact.com/pc/products/1404423>

## Classifications

### ECLASS

ECLASS-9.0	27440102
ECLASS-10.0.1	27440102
ECLASS-11.0	27440102

### ETIM

ETIM 8.0	EC002635
----------	----------

### UNSPSC

UNSPSC 21.0	39121400
-------------	----------

# Connector - SACC-M12FR-12SOL-PG 9-M



1404423

<https://www.phoenixcontact.com/pc/products/1404423>

## Environmental Product Compliance

REACH SVHC	Lead 7439-92-1
China RoHS	Environmentally Friendly Use Period = 50 years
	For information on hazardous substances, refer to the manufacturer's declaration available under "Downloads"

# Connector - SACC-M12FR-12SOL-PG 9-M



1404423

<https://www.phoenixcontact.com/pc/products/1404423>

## Accessories

### Screw plug

Screw plug - PROT-M12 MS-PA-CHAIN - 1430899

<https://www.phoenixcontact.com/pc/products/1430899>

M12 sealing cap with fixing band, for sensor cables, for free M12 sockets



---

### Stripping tool

Stripping tool - WIREFOX SAC - 1212623

<https://www.phoenixcontact.com/pc/products/1212623>

Stripping pliers, for halogen-free sensor/actuator cables (SAC cables), with PUR and PVC insulation, from Ø of 4.4 to 7 mm, any stripping length



# Connector - SACC-M12FR-12SOL-PG 9-M



1404423

<https://www.phoenixcontact.com/pc/products/1404423>

## Torque screwdriver

Torque screwdriver - TSD 04 SAC - 1208429

<https://www.phoenixcontact.com/pc/products/1208429>



Torque screwdriver, with preset torque of 0.4 Nm and 4 mm hexagonal drive for M12 connectors

---

## Torque screwdriver

Torque screwdriver - TSD-M 1,2NM - 1212224

<https://www.phoenixcontact.com/pc/products/1212224>



Torque screw driver, accuracy as per EN ISO 6789 standard, adjustable from 0.3 - 1.2 Nm

# Connector - SACC-M12FR-12SOL-PG 9-M



1404423

<https://www.phoenixcontact.com/pc/products/1404423>

## Adapter insert

Adapter insert - TSD-M SAC-BIT ADAPTER - 1212600

<https://www.phoenixcontact.com/pc/products/1212600>



Adapter bit for TSD-M...torque tools, E6.3-1/4" drive with 4 mm hexagon to accommodate SAC bits

---

## Tool

Tool - SACC BIT M12-D20 - 1208445

<https://www.phoenixcontact.com/pc/products/1208445>



Nut for assembling M12 connectors for assembly with a knurl diameter of 20 mm, for 4 mm hexagonal drive

---

Phoenix Contact 2022 © - all rights reserved  
<https://www.phoenixcontact.com>

PHOENIX CONTACT GmbH & Co. KG  
Flachsmarktstraße 8  
D-32825 Blomberg  
+49 (0) 5235-3 00  
[info@phoenixcontact.com](mailto:info@phoenixcontact.com)