

Ferrule - AI120 -27 BU

3201822

<https://www.phoenixcontact.com/pc/products/3201822>



Please be informed that the data shown in this PDF document is generated from our Online Catalog. Please find the complete data in the user documentation. Our General Terms of Use for Downloads are valid.

Ferrule, sleeve length: 27 mm, length: 48 mm, color: blue



Your advantages

- The insulation reliability of close connections is increased and the splicing of wires is prevented
- The ferrules with plastic sleeve are made from soft tin-plated electrolytic copper

Ferrule - AI120 -27 BU



3201822

<https://www.phoenixcontact.com/pc/products/3201822>

Commercial Data

Item number	3201822
Packing unit	25 pc
Minimum order quantity	25 pc
Sales Key	05
Product Key	BH3411
Catalog Page	Page 481 (C-3-2019)
GTIN	4017918156916
Weight per Piece (including packing)	8.752 g
Weight per Piece (excluding packing)	8.752 g
Customs tariff number	85369010
Country of origin	DE

Ferrule - AI120 -27 BU

3201822

<https://www.phoenixcontact.com/pc/products/3201822>

Technical Data

Notes

General	Ferrules are not included in DIN 46228-4: 1990-09
---------	---

Product properties

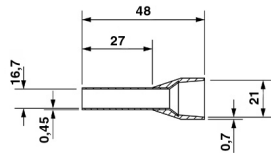
Product type	Ferrule
--------------	---------

Connection data

Conductor connection

Conductor cross section flexible max.	120 mm ²
Conductor cross section AWG max.	5
Stripping length	32 mm

Dimensions

Dimensional drawing	
Length	48 mm
Sleeve length	27 mm
Maximum stripping length	32 mm
Ferrule diameter	16.7 mm
Sleeve wall thickness	0.45 mm
Insulating collar thickness	0.7 mm
Inner dimensions of the insulating collar	21 mm

Material specifications

Color	blue
Material	E-CU
Flammability rating according to UL 94	HB
Coating	tin-plated (galvanic)
Components	free from silicone and halogen

Connector

Material	E-CU
Material	E-CU

Mechanical properties

Technical data

Sleeve length	27 mm
---------------	-------

Ferrule - AI120 -27 BU



3201822

<https://www.phoenixcontact.com/pc/products/3201822>

Environmental and real-life conditions

Ambient conditions

Permanent temperature	105 °C (-40°C no load / 0°C dynamic load)
Short-term temperature	120 °C

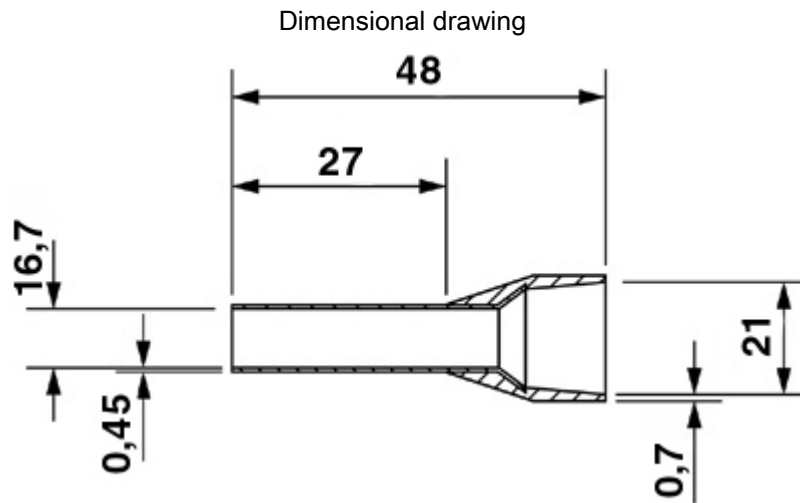
Ferrule - AI120 -27 BU

3201822

<https://www.phoenixcontact.com/pc/products/3201822>



Drawings



Ferrule - AI120 -27 BU



3201822

<https://www.phoenixcontact.com/pc/products/3201822>

Approvals



CSA

Approval ID: 247397



CSAus

Approval ID: 247397

cCSAus

Ferrule - AI120 -27 BU



3201822

<https://www.phoenixcontact.com/pc/products/3201822>

Classifications

ECLASS

ECLASS-9.0	27400201
ECLASS-10.0.1	27400201
ECLASS-11.0	27400201

ETIM

ETIM 8.0	EC000005
----------	----------

UNSPSC

UNSPSC 21.0	27121700
-------------	----------

Ferrule - AI120 -27 BU

3201822

<https://www.phoenixcontact.com/pc/products/3201822>



Environmental Product Compliance

China RoHS

Environmentally friendly use period: unlimited = EFUP-e

No hazardous substances above threshold values

Phoenix Contact 2022 © - all rights reserved

<https://www.phoenixcontact.com>

PHOENIX CONTACT GmbH & Co. KG

Flachmarktstraße 8

D-32825 Blomberg

+49 (0) 5235-3 00

info@phoenixcontact.com