

Contact insert - HC-B 16-I-CT-F

1648283

<https://www.phoenixcontact.com/pc/products/1648283>



Please be informed that the data shown in this PDF document is generated from our Online Catalog. Please find the complete data in the user documentation. Our General Terms of Use for Downloads are valid.



Contact insert, number of positions: 16+PE, size: B16, number of connections per position: 1, Socket, Crimp connection, 500 V, 16 A, 0.5 mm² ... 4 mm², application: Power

Your advantages

- For fast coding with plastic profile

Contact insert - HC-B 16-I-CT-F



1648283

<https://www.phoenixcontact.com/pc/products/1648283>

Commercial Data

Item number	1648283
Packing unit	1 pc
Minimum order quantity	1 pc
Product Key	BF7ABC
Catalog Page	Page 545 (C-2-2019)
GTIN	4046356092418
Weight per Piece (including packing)	59.6 g
Weight per Piece (excluding packing)	59.3 g
Customs tariff number	85366990
Country of origin	CN

Contact insert - HC-B 16-I-CT-F

1648283

<https://www.phoenixcontact.com/pc/products/1648283>

Technical Data

Notes

General	For HEAVYCON ADVANCE and HEAVYCON housing of B16 type, crimp contacts CK 2,5-ED (crimp contacts not included in the scope of supply).
General	Connectors may be operated only when there is no load/voltage.

Product properties

Type	B16 B32
Product type	Contact insert with a fixed no. of positions
Number of positions	16
Connection profile	16+PE
Application	Power
Number of connections per position	1
Contact type	turned
Series	HC-B

Insulation characteristics

Overvoltage category	III
Degree of pollution	3

Connection data

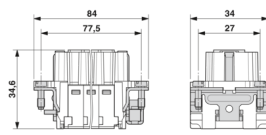
Connection technology

Connection technology	Crimp connection
Number of connections per position	1
Connection in acc. with standard	IEC / EN

Conductor connection

Connection cross section AWG	20 ... 12
Stripping length of the individual wire	7.5 mm

Dimensions

Dimensional drawing	
Width	34 mm
Height	34.6 mm
Length	84 mm
Drill hole distance, horizontal	77.5 mm

Mechanical characteristics

Contact insert - HC-B 16-I-CT-F



1648283

<https://www.phoenixcontact.com/pc/products/1648283>

Contact diameter	2.5 mm
------------------	--------

Electrical properties

Rated voltage (III/3)	500 V
Rated surge voltage	6 kV
Rated current	16 A
SCCR	5 kA (UL 2237)

Material specifications

Color	light grey
Flammability rating according to UL 94	V0
Contact material	Copper alloy
Contact surface material	Ag (alternatively Au)
Contact carrier material	PC
Standards/regulations	PC: Fire protection in rail vehicles - requirement sets R22, R23, and R24 acc. to DIN EN 45545-2 (Risk level HL1 - HL3)

Connector

Insertion/withdrawal cycles	≥ 500
-----------------------------	-------

Cable / line

Cable structure

Stripping length of the individual wire	7.5 mm
---	--------

Mounting

Assembly instructions	To ensure correct use, installation in housing with IP54 protection or better is required
	Remove the crimp contact using a screwdriver. The opening for the screwdriver is next to the opening where the conductor is inserted.

Ambient conditions

Degree of protection	IP20
Ambient temperature (operation)	-40 °C ... 125 °C (including heating up of contacts)

Standards and regulations

Constructional and testing regulations	DIN EN 61984
	DIN EN 60664
	IEC 60352
Tests	DIN EN 61984
	DIN EN 60664
	IEC 60352

Testing

Standards/regulations	PC: Fire protection in rail vehicles - requirement sets R22, R23, and R24 acc. to DIN EN 45545-2 (Risk level HL1 - HL3)
-----------------------	---

Contact insert - HC-B 16-I-CT-F

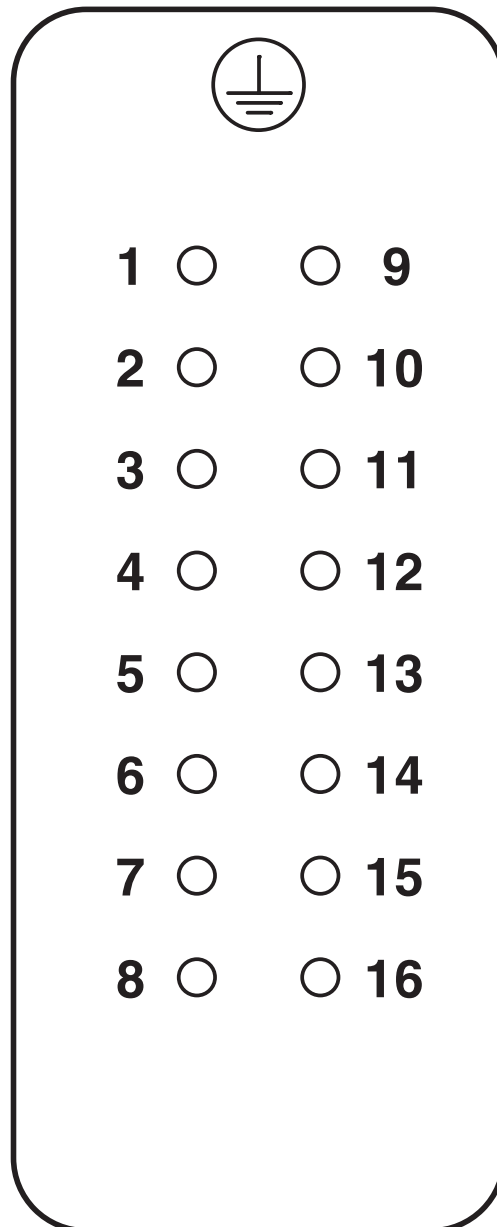
1648283

<https://www.phoenixcontact.com/pc/products/1648283>



Drawings

Schematic diagram



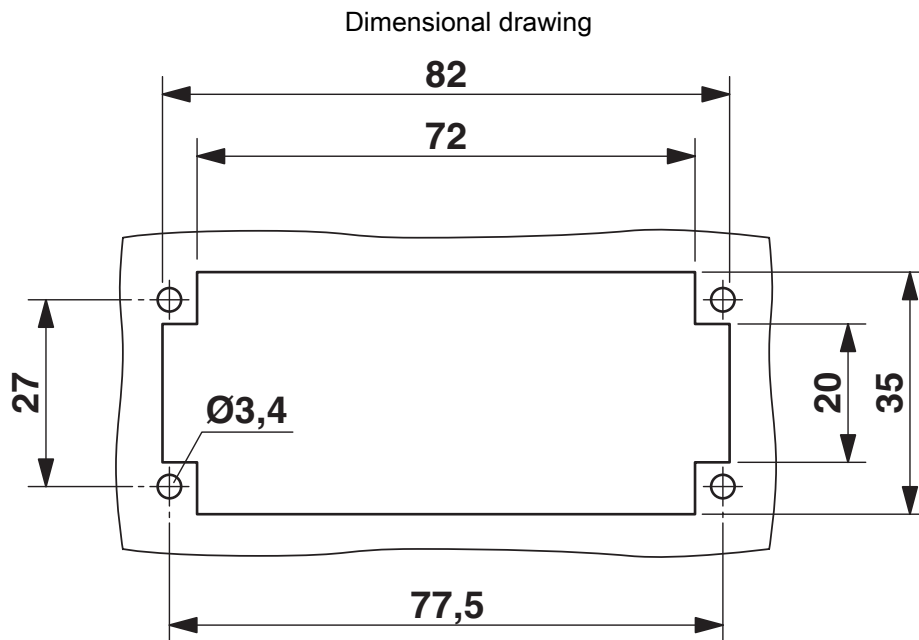
Connector pin assignment, connection side

Contact insert - HC-B 16-I-CT-F

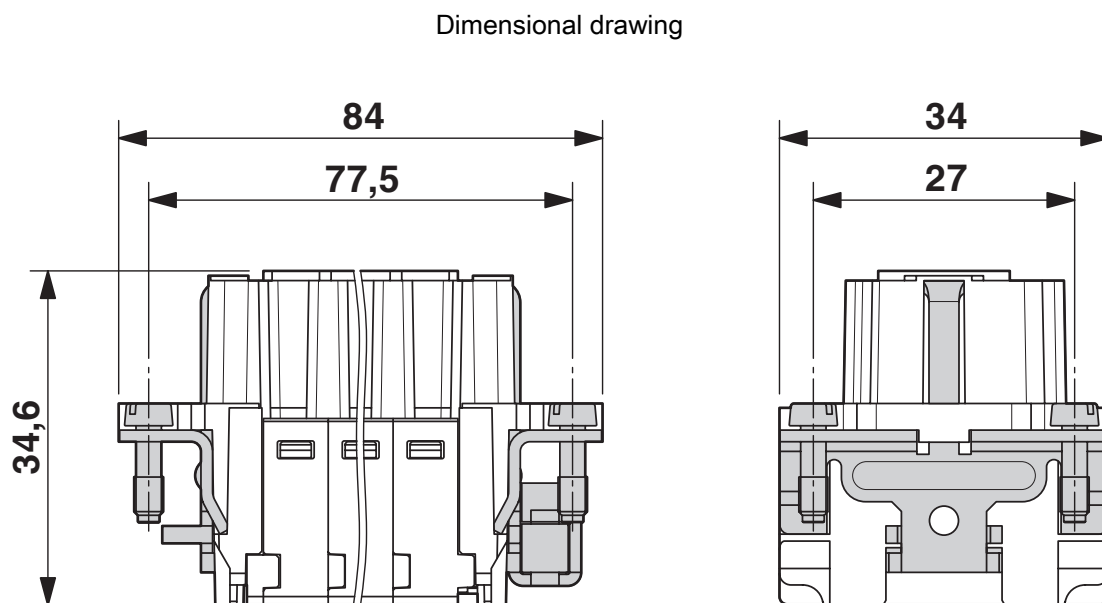


1648283

<https://www.phoenixcontact.com/pc/products/1648283>



Mounting cutout when used without housing



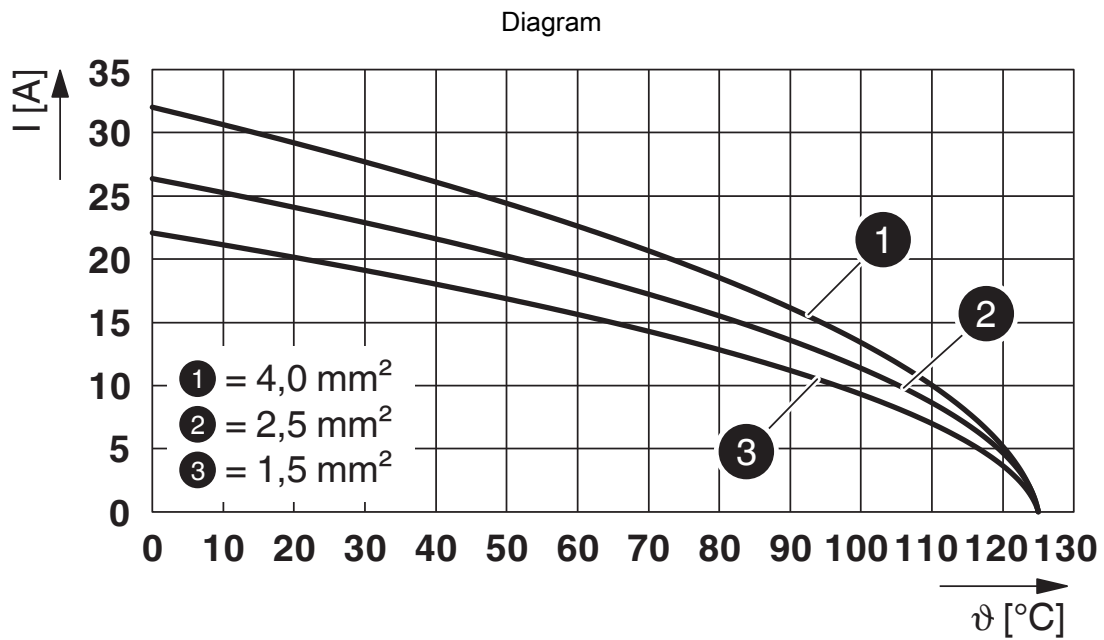
Female insert

Contact insert - HC-B 16-I-CT-F



1648283

<https://www.phoenixcontact.com/pc/products/1648283>



Derating diagram

Contact insert - HC-B 16-I-CT-F



1648283

<https://www.phoenixcontact.com/pc/products/1648283>

Approvals

DNV

Approval ID: TAE000037S



CSA

Approval ID: 013631_6233_01

	Nominal Voltage U_N	Nominal Current I_N	Cross Section AWG	Cross Section mm^2
	600 V	20 A	20 - 12	-



EAC

Approval ID: RU C-DE.BL08.B.00511



cULus Recognized

Approval ID: E468743

	Nominal Voltage U_N	Nominal Current I_N	Cross Section AWG	Cross Section mm^2
	600 V	13 A	-	-



cULus Recognized

Approval ID: E468743

	Nominal Voltage U_N	Nominal Current I_N	Cross Section AWG	Cross Section mm^2
	600 V	14 A	-	-

Contact insert - HC-B 16-I-CT-F



1648283

<https://www.phoenixcontact.com/pc/products/1648283>

Classifications

ECLASS

ECLASS-9.0	27440205
ECLASS-10.0.1	27440205
ECLASS-11.0	27440205

ETIM

ETIM 8.0	EC000438
----------	----------

UNSPSC

UNSPSC 21.0	39121500
-------------	----------

Contact insert - HC-B 16-I-CT-F



1648283

<https://www.phoenixcontact.com/pc/products/1648283>

Environmental Product Compliance

China RoHS	Environmentally friendly use period: unlimited = EFUP-e
	No hazardous substances above threshold values

Contact insert - HC-B 16-I-CT-F

1648283

<https://www.phoenixcontact.com/pc/products/1648283>



Accessories

Coding bolt

Coding bolt - HC-CB - 1772722

<https://www.phoenixcontact.com/pc/products/1772722>



Coding pin, prevents mismatching of up to six connectors with an identical number of positions

Assembly tool

Assembly tool - UNIFOX MT-CK 1.6/2.5 - 1089092

<https://www.phoenixcontact.com/pc/products/1089092>



Assembly tool, for CK 1.6... crimp contacts for small conductor cross sections

Contact insert - HC-B 16-I-CT-F

1648283

<https://www.phoenixcontact.com/pc/products/1648283>



Contact insert

Contact insert - HC-B 16-I-CT-M - 1648270

<https://www.phoenixcontact.com/pc/products/1648270>



Contact insert, number of positions: 16+PE, size: B16, number of connections per position: 1, Pin, Crimp connection, 500 V, 16 A, 0.5 mm² ... 4 mm², application: Power

DIN rail mounting frame

DIN rail mounting frame - HC-CIF-B16-HFWL-PL - 1424336

<https://www.phoenixcontact.com/pc/products/1424336>



DIN rail mounting frame, type: B16, for contact inserts, Top frame

Contact insert - HC-B 16-I-CT-F

1648283

<https://www.phoenixcontact.com/pc/products/1648283>



DIN rail mounting frame

DIN rail mounting frame - HC-CIF-B06-24-BFAFL-PL - 1424338

<https://www.phoenixcontact.com/pc/products/1424338>



DIN rail mounting frame, type: B6 - B24, for contact inserts, Base frame

Adapter

Adapter - HC-B-PE-PT - 1054672

<https://www.phoenixcontact.com/pc/products/1054672>



PE adapter with PT connection, for 1 PE connection, for HC-B / HC-BB / HC-DD / HC-D40 / HC-D64 contact inserts

Contact insert - HC-B 16-I-CT-F

1648283

<https://www.phoenixcontact.com/pc/products/1648283>



Coding element

Coding element - HC-CP-CK2.5-PL - 1095419

<https://www.phoenixcontact.com/pc/products/1095419>

Dummy socket for contact carrier with turned CK 2,5-ED... socket contacts. For HC-A../HC-BB../HC-M... series contact inserts.



Coding element

Coding element - HC-CST - 1676857

<https://www.phoenixcontact.com/pc/products/1676857>

Coding peg for coding up to 16 connectors



Contact insert - HC-B 16-I-CT-F

1648283

<https://www.phoenixcontact.com/pc/products/1648283>



Coding element

Coding element - HC-CBU - 1676860

<https://www.phoenixcontact.com/pc/products/1676860>



Coding socket for coding up to 16 connectors

Coding profile

Coding profile - CP-HC - 1686478

<https://www.phoenixcontact.com/pc/products/1686478>



Coding profile, 4 coding profiles per strip, for insertion in coding keyways

Contact insert - HC-B 16-I-CT-F

1648283

<https://www.phoenixcontact.com/pc/products/1648283>



Adapter plate

Adapter plate - HC-B24/16-ADP-SS - 1034216

<https://www.phoenixcontact.com/pc/products/1034216>

Adapter plate, type: B24 to B16



Strain relief clamp

Strain relief clamp - HC-B-ZG - 1685327

<https://www.phoenixcontact.com/pc/products/1685327>

Strain relief clamps contact inserts of series: B-, BB-, D 40, D 64, DD and HV, straight cable exit



Contact insert - HC-B 16-I-CT-F

1648283

<https://www.phoenixcontact.com/pc/products/1648283>

Strain relief clamp

Strain relief clamp - HC-B-ZS - 1685330

<https://www.phoenixcontact.com/pc/products/1685330>



Strain relief clamps contact inserts of series: B-, BB-, D 40, D 64, DD and HV, lateral cable exit

Screw

Screw - HC-B-PES - 1604997

<https://www.phoenixcontact.com/pc/products/1604997>



PE screw, for contact inserts HC-B / HC-BB / HC-DD / HC-D40 / HC-D64

Contact insert - HC-B 16-I-CT-F

1648283

<https://www.phoenixcontact.com/pc/products/1648283>



Contact removal tool

Contact removal tool - UNIFOX RT-CK 2.5 - 1072067

<https://www.phoenixcontact.com/pc/products/1072067>

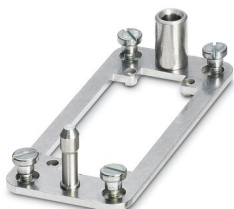


Contact removal tool, for turned CK 2,5... contacts

Docking frames

Docking frames - HC-B 16-ANDOCK - 1586138

<https://www.phoenixcontact.com/pc/products/1586138>



Docking frame for racks, for contact inserts of B16 type, with four M5 flat headed screws, rack balance x/y axis ± 1.5 mm

Contact insert - HC-B 16-I-CT-F

1648283

<https://www.phoenixcontact.com/pc/products/1648283>

Crimp contact

Crimp contact - CK2,5-ED-0,50BU AG - 1663640

<https://www.phoenixcontact.com/pc/products/1663640>



Crimp contact, contact diameter: 2.5 mm, turned, Socket, contact material: Copper alloy, contact surface: silver-plated, connection cross section: 0.5 mm² ... 0.5 mm², AWG 20

Crimp contact

Crimp contact - CK2,5-ED-0,75BU AG - 1663653

<https://www.phoenixcontact.com/pc/products/1663653>



Turned 2.5 crimp contact, individual female contact, core diameter 0.75 mm², silver-plated

Contact insert - HC-B 16-I-CT-F

1648283

<https://www.phoenixcontact.com/pc/products/1648283>

Crimp contact

Crimp contact - CK2,5-ED-1,00BU AG - 1663666

<https://www.phoenixcontact.com/pc/products/1663666>



Turned 2.5 crimp contact, individual female contact, core diameter 0.75 to 1.00 mm², silver-plated

Crimp contact

Crimp contact - CK2,5-ED-1,50BU AG - 1663679

<https://www.phoenixcontact.com/pc/products/1663679>



Crimp contact, contact diameter: 2.5 mm, turned, Socket, contact material: Copper alloy, contact surface: silver-plated, connection cross section: 1.5 mm² ... 1.5 mm², AWG 16

Contact insert - HC-B 16-I-CT-F

1648283

<https://www.phoenixcontact.com/pc/products/1648283>



Crimp contact

Crimp contact - CK2,5-ED-2,50BU AG - 1663682

<https://www.phoenixcontact.com/pc/products/1663682>



Turned 2.5 crimp contact, individual female contact, core diameter 2.5 mm², silver-plated

Crimp contact

Crimp contact - CK2,5-ED-3,00BU AG - 1663695

<https://www.phoenixcontact.com/pc/products/1663695>



Crimp contact, contact diameter: 2.5 mm, turned, Socket, contact material: Copper alloy, contact surface: hard-silver plated, connection cross section: 3 mm² ... 3 mm², AWG 12

Contact insert - HC-B 16-I-CT-F

1648283

<https://www.phoenixcontact.com/pc/products/1648283>

Crimp contact

Crimp contact - CK2,5-ED-4,00BU AG - 1663705

<https://www.phoenixcontact.com/pc/products/1663705>



Crimp contact, contact diameter: 2.5 mm, turned, Socket, contact material: Copper alloy, contact surface: silver-plated, connection cross section: 4 mm² ... 4 mm², AWG 12

Crimp contact

Crimp contact - CK2,5-ED-0,37BU AU - 1585647

<https://www.phoenixcontact.com/pc/products/1585647>



Crimp contact, contact diameter: 2.5 mm, turned, Socket, contact material: Copper alloy, contact surface: gold-plated, connection cross section: 0.14 mm² ... 0.37 mm², AWG 22 ... 26

Contact insert - HC-B 16-I-CT-F

1648283

<https://www.phoenixcontact.com/pc/products/1648283>

Crimp contact

Crimp contact - CK2,5-ED-0,50BU AU - 1674859

<https://www.phoenixcontact.com/pc/products/1674859>



Turned 2.5 crimp contact, individual female contact, core diameter 0.5 mm², gold-plated

Crimp contact

Crimp contact - CK2,5-ED-1,00BU AU - 1674833

<https://www.phoenixcontact.com/pc/products/1674833>



Turned 2.5 crimp contact, individual female contact, core diameter 0.75 to 1.0 mm², gold-plated

Contact insert - HC-B 16-I-CT-F

1648283

<https://www.phoenixcontact.com/pc/products/1648283>

Crimp contact

Crimp contact - CK2,5-ED-1,50BU AU - 1674820

<https://www.phoenixcontact.com/pc/products/1674820>



Crimp contact, contact diameter: 2.5 mm, turned, Socket, contact material: Copper alloy, contact surface: gold-plated, connection cross section: 1.5 mm² ... 1.5 mm², AWG 16

Crimp contact

Crimp contact - CK2,5-ED-2,50BU AU - 1674862

<https://www.phoenixcontact.com/pc/products/1674862>



Crimp contact, contact diameter: 2.5 mm, turned, Socket, contact material: Copper alloy, contact surface: gold-plated, connection cross section: 2.5 mm² ... 2.5 mm², AWG 14

Contact insert - HC-B 16-I-CT-F

1648283

<https://www.phoenixcontact.com/pc/products/1648283>



Crimp contact

Crimp contact - CK2,5-ED-4,00BU AU - 1674846

<https://www.phoenixcontact.com/pc/products/1674846>



Turned 2.5 crimp contact, individual female contact, core diameter 4.00 mm², gold-plated

Crimping pliers

Crimping pliers - CRIMPFOX-1,6/2,5-ED-4,0 - 1687419

<https://www.phoenixcontact.com/pc/products/1687419>



Crimping pliers, for turned contacts, CK 1.6 ED... and CK 2.5 ED...

Contact insert - HC-B 16-I-CT-F

1648283

<https://www.phoenixcontact.com/pc/products/1648283>



Crimping pliers

Crimping pliers - CRIMPFOX-TC 4 - 1212113

<https://www.phoenixcontact.com/pc/products/1212113>



Crimping pliers, for CK 1,6-ED..., CK 2,5-ED..., CK 4,0-ED... turned contacts, 4 marked die stations, unlockable pressure lock, lateral entry, incl. positioning tool

Crimping pliers with digital display

Crimping pliers with digital display - CRIMPFOX-TC MP-6 - 1202888

<https://www.phoenixcontact.com/pc/products/1202888>



Crimping tool, for turned contacts, universal cross-section setting, up to a maximum of 6.0 mm², digital display with 0.01 mm increments, pressure lock can be unlocked, positioning tool necessary as an accessory for contact positioning

Contact insert - HC-B 16-I-CT-F

1648283

<https://www.phoenixcontact.com/pc/products/1648283>



PE multiplier

PE multiplier - HC-B-2PE-PT - 1054675

<https://www.phoenixcontact.com/pc/products/1054675>



PE adapter with PT connection, for 2 PE connections, for HC-B / HC-BB / HC-DD / HC-D40 / HC-D64 contact inserts

PE multiplier

PE multiplier - HC-B-3PE - 1644326

<https://www.phoenixcontact.com/pc/products/1644326>



PE multiplier, for 3 PE connections, for HC-B / HC-BB / HC-DD / HC-D40 / HC-D64 contact inserts

Phoenix Contact 2022 © - all rights reserved
<https://www.phoenixcontact.com>

PHOENIX CONTACT GmbH & Co. KG
Flachsmarktstraße 8
D-32825 Blomberg
+49 (0) 5235-3 00
info@phoenixcontact.com