

# Contact insert - HC-K 4/0-EBUS



1679427

<https://www.phoenixcontact.com/pc/products/1679427>

Please be informed that the data shown in this PDF document is generated from our Online Catalog. Please find the complete data in the user documentation. Our General Terms of Use for Downloads are valid.

---

HEAVYCON socket insert, K4/0 series, 4-pos., screw connection without wire protection



# Contact insert - HC-K 4/0-EBUS



1679427

<https://www.phoenixcontact.com/pc/products/1679427>

## Commercial Data

Item number	1679427
Packing unit	1 pc
Minimum order quantity	1 pc
Product Key	BF7ABA
Catalog Page	Page 565 (C-2-2019)
GTIN	4017918168865
Weight per Piece (including packing)	117.1 g
Weight per Piece (excluding packing)	114.9 g
Customs tariff number	85366990
Country of origin	CN

# Contact insert - HC-K 4/0-EBUS

1679427

<https://www.phoenixcontact.com/pc/products/1679427>

## Technical Data

### Notes

General	For HEAVYCON-ADVANCE housings of B16 type and HEAVYCON housings of B16 and B32 types
General	Connectors may be operated only when there is no load/voltage.

### Product properties

Type	B16 B32
Product type	Contact insert with a fixed no. of positions
Number of positions	4
Connection profile	4+PE
No. of power contacts	4
No. of control contacts	0
Contact type	turned
Series	HC-K
Screwdriver blade	0.8 x 4.5 mm (power contacts)

### Insulation characteristics

Overvoltage category	III
Degree of pollution	3

### Connection data

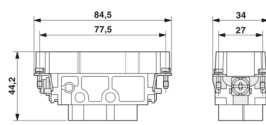
#### Connection technology

Connection technology	Screw connection (power contacts)
-----------------------	-----------------------------------

#### Conductor connection

Connection cross section AWG	16 ... 6
Tightening torque	3 Nm (4.0 mm <sup>2</sup> ... 16 mm <sup>2</sup> ) 2 Nm (2.5 mm <sup>2</sup> ) 1.2 Nm (1.5 mm <sup>2</sup> )
Stripping length of the individual wire	14 mm

### Dimensions

Dimensional drawing	
Width	34 mm
Height	44.2 mm
Length	84.5 mm
Drill hole distance, horizontal	77.5 mm

# Contact insert - HC-K 4/0-EBUS



1679427

<https://www.phoenixcontact.com/pc/products/1679427>

## Mechanical characteristics

Contact diameter	6 mm
------------------	------

## Electrical properties

Rated voltage (III/3)	830 V (power contacts)
Rated surge voltage	8 kV (power contacts)
Rated current	80 A (power contacts)

## Material specifications

Flammability rating according to UL 94	V0
Contact material	Cu alloy
Contact surface material	Ag
Contact carrier material	PC
Material of contact surface, power contact	Ag
Standards/regulations	PC: Fire protection in rail vehicles - requirement set R22 acc. to DIN EN 45545-2 (Risk level HL1 - HL2) PC: Fire protection in rail vehicles - requirement set R23 acc. to DIN EN 45545-2 (Risk level HL1 - HL3)

## Connector

Insertion/withdrawal cycles	≥ 500
-----------------------------	-------

## Cable / line

### Cable structure

Stripping length of the individual wire	14 mm
---	-------

## Mounting

Assembly instructions	To ensure correct use, installation in housing with IP54 protection or better is required
	Use wire end protection (screw connections do not have wire protection)

## Ambient conditions

Ambient temperature (operation)	-40 °C ... 125 °C
---------------------------------	-------------------

## Standards and regulations

### Testing

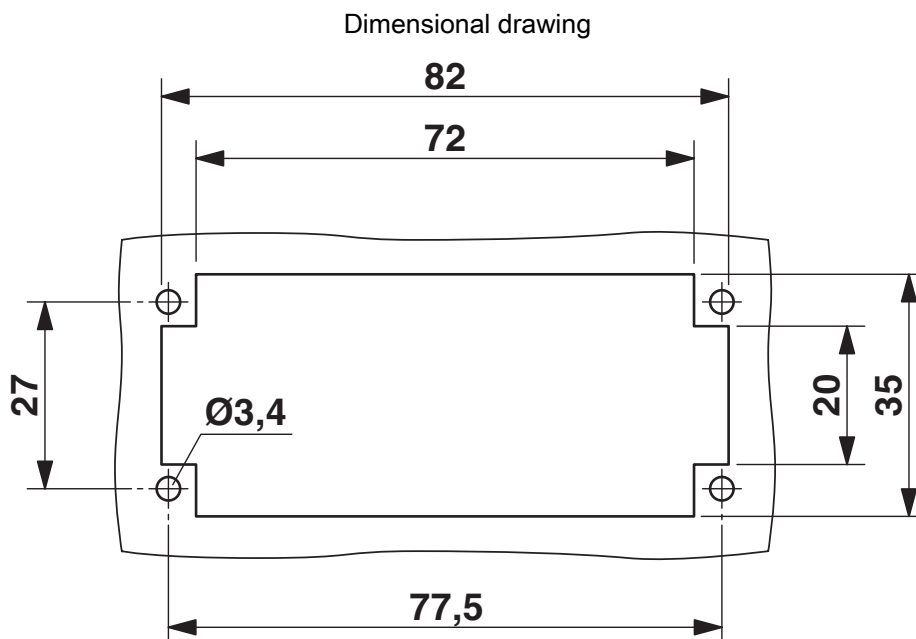
Standards/regulations	PC: Fire protection in rail vehicles - requirement set R22 acc. to DIN EN 45545-2 (Risk level HL1 - HL2)
	PC: Fire protection in rail vehicles - requirement set R23 acc. to DIN EN 45545-2 (Risk level HL1 - HL3)

# Contact insert - HC-K 4/0-EBUS

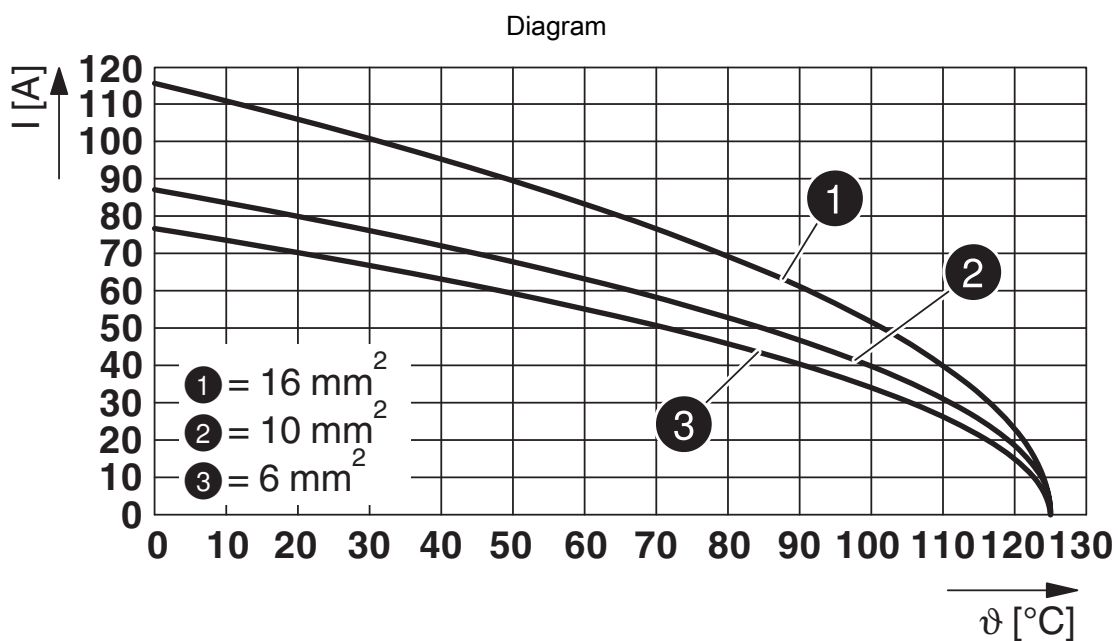
1679427

<https://www.phoenixcontact.com/pc/products/1679427>

## Drawings



Mounting cutout when used without housing



Derating diagram

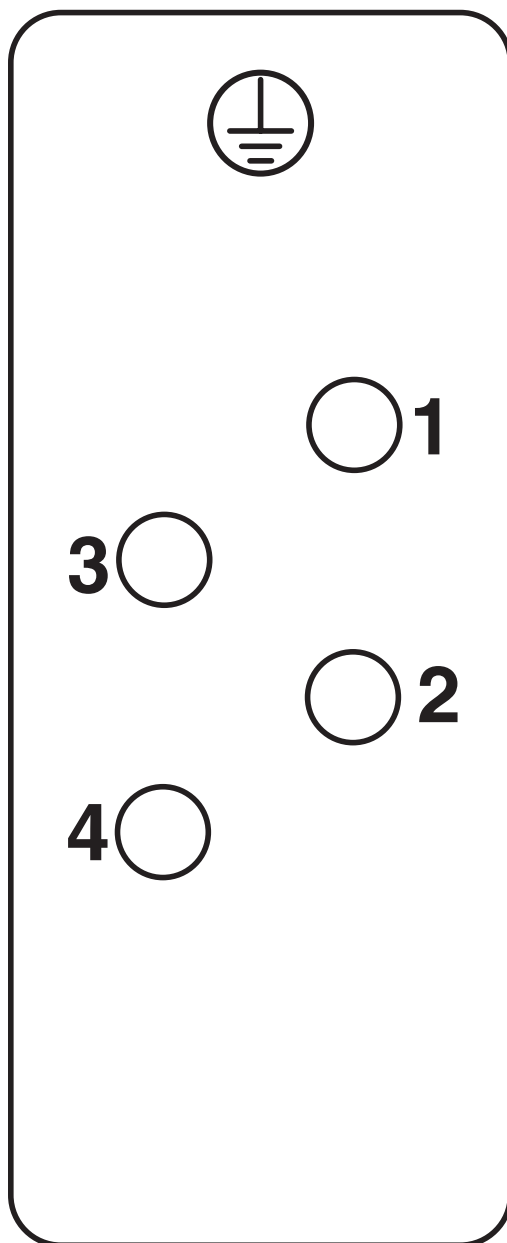
# Contact insert - HC-K 4/0-EBUS

1679427

<https://www.phoenixcontact.com/pc/products/1679427>



Schematic diagram



Connector pin assignment, connection side

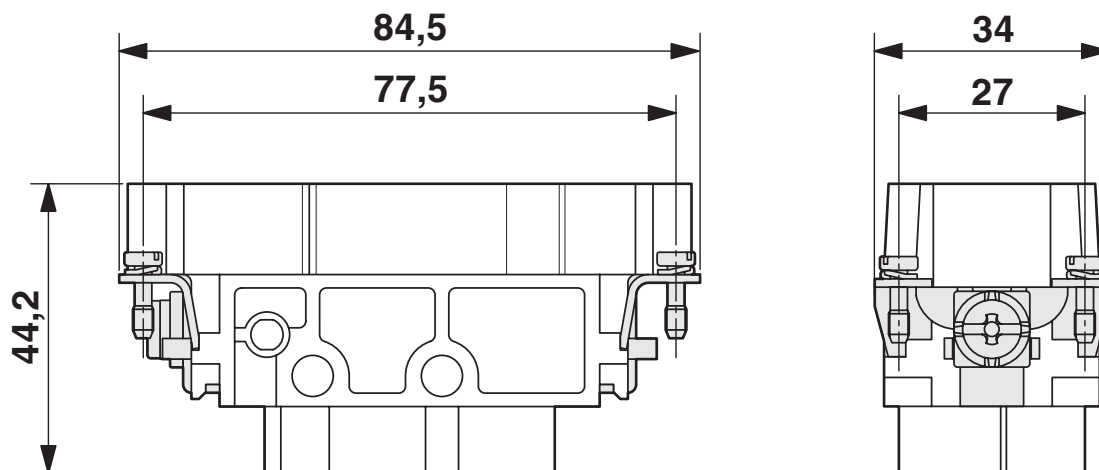
# Contact insert - HC-K 4/0-EBUS

1679427

<https://www.phoenixcontact.com/pc/products/1679427>



Dimensional drawing



Female insert

# Contact insert - HC-K 4/0-EBUS





1679427

<https://www.phoenixcontact.com/pc/products/1679427>

## Approvals

 <b>UL Recognized</b> Approval ID: E118976				
	Nominal Voltage $U_N$	Nominal Current $I_N$	Cross Section AWG	Cross Section $\text{mm}^2$
	600 V	80 A	- 6	-

 <b>EAC</b> Approval ID: RU C-DE.AI30.B.01102				
---	--	--	--	--

 <b>EAC</b> Approval ID: RU C-DE.BL08.B.00511				
---	--	--	--	--



# Contact insert - HC-K 4/0-EBUS



1679427

<https://www.phoenixcontact.com/pc/products/1679427>

## Classifications

### ECLASS

ECLASS-9.0	27440205
ECLASS-10.0.1	27440205
ECLASS-11.0	27440205

### ETIM

ETIM 8.0	EC000438
----------	----------

### UNSPSC

UNSPSC 21.0	39121500
-------------	----------

# Contact insert - HC-K 4/0-EBUS



1679427

<https://www.phoenixcontact.com/pc/products/1679427>

## Environmental Product Compliance

China RoHS	Environmentally friendly use period: unlimited = EFUP-e
	No hazardous substances above threshold values

# Contact insert - HC-K 4/0-EBUS

1679427

<https://www.phoenixcontact.com/pc/products/1679427>



## Accessories

### Coding bolt

Coding bolt - HC-CB - 1772722

<https://www.phoenixcontact.com/pc/products/1772722>



Coding pin, prevents mismatching of up to six connectors with an identical number of positions

---

### Screwdriver

Screwdriver - SZF 2-0,8X4,0 - 1204520

<https://www.phoenixcontact.com/pc/products/1204520>



Actuation tool, for ST terminal blocks, also suitable for use as a bladed screwdriver, size: 0.8 x 4.0 x 100 mm, 2-component grip, with non-slip grip

# Contact insert - HC-K 4/0-EBUS

1679427

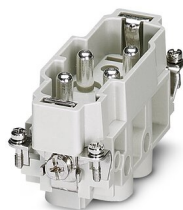
<https://www.phoenixcontact.com/pc/products/1679427>



## Contact insert

Contact insert - HC-K 4/0-ESTS - 1679414

<https://www.phoenixcontact.com/pc/products/1679414>



HEAVYCON plug insert, K4/0 series, 4-pos., screw connection without wire protection

---

## Coding element

Coding element - HC-CST - 1676857

<https://www.phoenixcontact.com/pc/products/1676857>



Coding peg for coding up to 16 connectors

# Contact insert - HC-K 4/0-EBUS

1679427

<https://www.phoenixcontact.com/pc/products/1679427>



## Coding element

Coding element - HC-CBU - 1676860

<https://www.phoenixcontact.com/pc/products/1676860>



Coding socket for coding up to 16 connectors

---

Phoenix Contact 2022 © - all rights reserved

<https://www.phoenixcontact.com>

PHOENIX CONTACT GmbH & Co. KG

Flachsmarktstraße 8

D-32825 Blomberg

+49 (0) 5235-3 00

[info@phoenixcontact.com](mailto:info@phoenixcontact.com)