

Contact insert - HC-K 4/0-ESTS

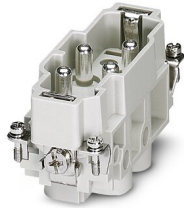


1679414

<https://www.phoenixcontact.com/pc/products/1679414>

Please be informed that the data shown in this PDF document is generated from our Online Catalog. Please find the complete data in the user documentation. Our General Terms of Use for Downloads are valid.

HEAVYCON plug insert, K4/0 series, 4-pos., screw connection without wire protection



Contact insert - HC-K 4/0-ESTS



1679414

<https://www.phoenixcontact.com/pc/products/1679414>

Commercial Data

| | |
|--------------------------------------|---------------------|
| Item number | 1679414 |
| Packing unit | 1 pc |
| Minimum order quantity | 1 pc |
| Product Key | BF7ABA |
| Catalog Page | Page 565 (C-2-2019) |
| GTIN | 4017918168858 |
| Weight per Piece (including packing) | 120 g |
| Weight per Piece (excluding packing) | 115.8 g |
| Customs tariff number | 85366990 |
| Country of origin | CN |

Contact insert - HC-K 4/0-ESTS



1679414

<https://www.phoenixcontact.com/pc/products/1679414>

Technical Data

Notes

| | |
|---------|--------------------------------------------------------------------------------------|
| General | For HEAVYCON-ADVANCE housings of B16 type and HEAVYCON housings of B16 and B32 types |
| General | Connectors may be operated only when there is no load/voltage. |

Product properties

| | |
|-------------------------|----------------------------------------------|
| Type | B16 B32 |
| Product type | Contact insert with a fixed no. of positions |
| Number of positions | 4 |
| Connection profile | 4+PE |
| No. of power contacts | 4 |
| No. of control contacts | 0 |
| Contact type | turned |
| Series | HC-K |
| Screwdriver blade | 0.8 x 4.5 mm (power contacts) |

Insulation characteristics

| | |
|----------------------|-----|
| Overvoltage category | III |
| Degree of pollution | 3 |

Connection data

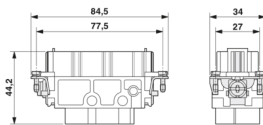
Connection technology

| | |
|-----------------------|-----------------------------------|
| Connection technology | Screw connection (power contacts) |
|-----------------------|-----------------------------------|

Conductor connection

| | |
|-----------------------------------------|----------------------------------------------------|
| Connection cross section AWG | 16 ... 6 |
| Tightening torque | 3 Nm (4.0 mm ² ... 16 mm ²) |
| | 2 Nm (2.5 mm ²) |
| | 1.2 Nm (1.5 mm ²) |
| Stripping length of the individual wire | 14 mm |

Dimensions

| | |
|---------------------------------|--------------------------------------------------------------------------------------|
| Dimensional drawing |  |
| Width | 34 mm |
| Height | 42 mm |
| Length | 84.5 mm |
| Drill hole distance, horizontal | 77.5 mm |

Contact insert - HC-K 4/0-ESTS



1679414

<https://www.phoenixcontact.com/pc/products/1679414>

Mechanical characteristics

| | |
|------------------|------|
| Contact diameter | 6 mm |
|------------------|------|

Electrical properties

| | |
|-----------------------|------------------------|
| Rated voltage (III/3) | 830 V (power contacts) |
| Rated surge voltage | 8 kV (power contacts) |
| Rated current | 80 A (power contacts) |

Material specifications

| | |
|--------------------------------------------|----------------------------------------------------------------------------------------------------------------------------------------------------------------------------------------------------------------------|
| Flammability rating according to UL 94 | V0 |
| Contact material | Cu alloy |
| Contact surface material | Ag |
| Contact carrier material | PC |
| Material of contact surface, power contact | Ag |
| Standards/regulations | PC: Fire protection in rail vehicles - requirement set R22 acc. to DIN EN 45545-2 (Risk level HL1 - HL2) PC: Fire protection in rail vehicles - requirement set R23 acc. to DIN EN 45545-2 (Risk level HL1 - HL3) |

Connector

| | |
|-----------------------------|-------|
| Insertion/withdrawal cycles | ≥ 500 |
|-----------------------------|-------|

Cable / line

Cable structure

| | |
|-----------------------------------------|-------|
| Stripping length of the individual wire | 14 mm |
|-----------------------------------------|-------|

Mounting

| | |
|-----------------------|-------------------------------------------------------------------------------------------|
| Assembly instructions | To ensure correct use, installation in housing with IP54 protection or better is required |
| | Use wire end protection (screw connections do not have wire protection) |

Ambient conditions

| | |
|---------------------------------|-------------------|
| Ambient temperature (operation) | -40 °C ... 125 °C |
|---------------------------------|-------------------|

Standards and regulations

Testing

| | |
|-----------------------|----------------------------------------------------------------------------------------------------------|
| Standards/regulations | PC: Fire protection in rail vehicles - requirement set R22 acc. to DIN EN 45545-2 (Risk level HL1 - HL2) |
| | PC: Fire protection in rail vehicles - requirement set R23 acc. to DIN EN 45545-2 (Risk level HL1 - HL3) |

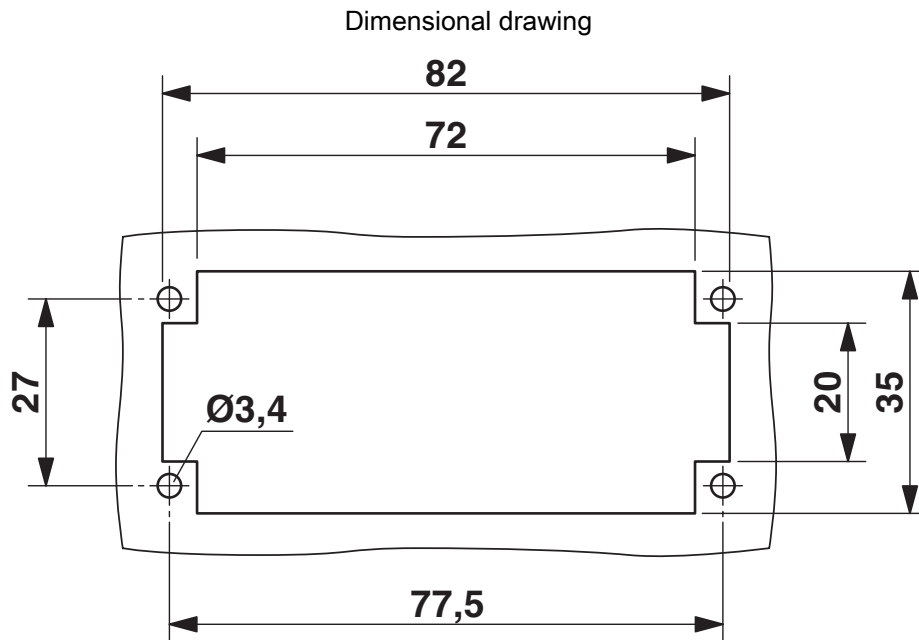
Contact insert - HC-K 4/0-ESTS



1679414

<https://www.phoenixcontact.com/pc/products/1679414>

Drawings



Mounting cutout when used without housing

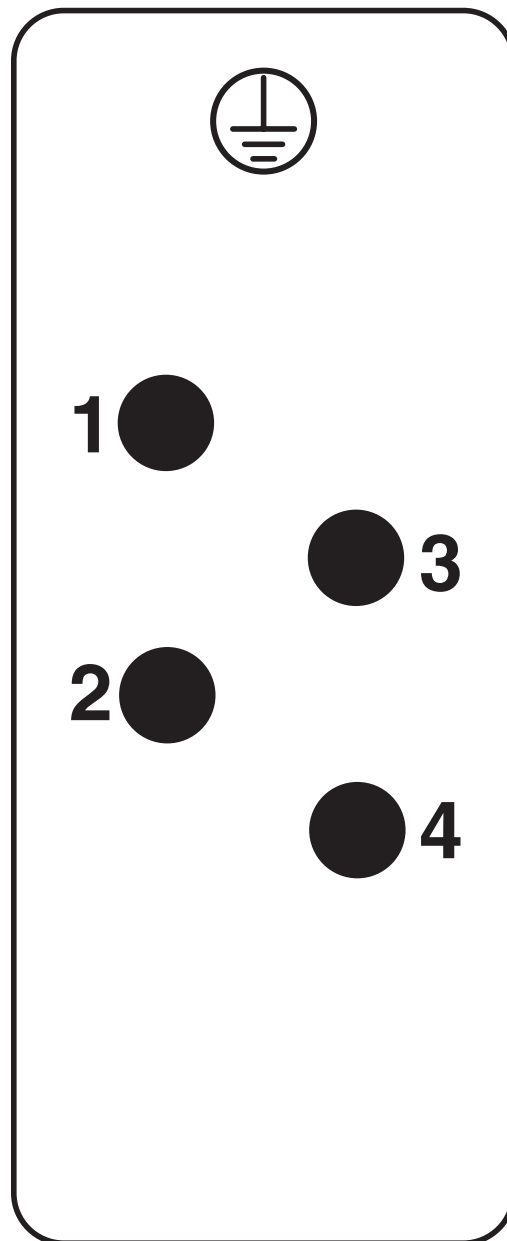
Contact insert - HC-K 4/0-ESTS

1679414

<https://www.phoenixcontact.com/pc/products/1679414>



Schematic diagram



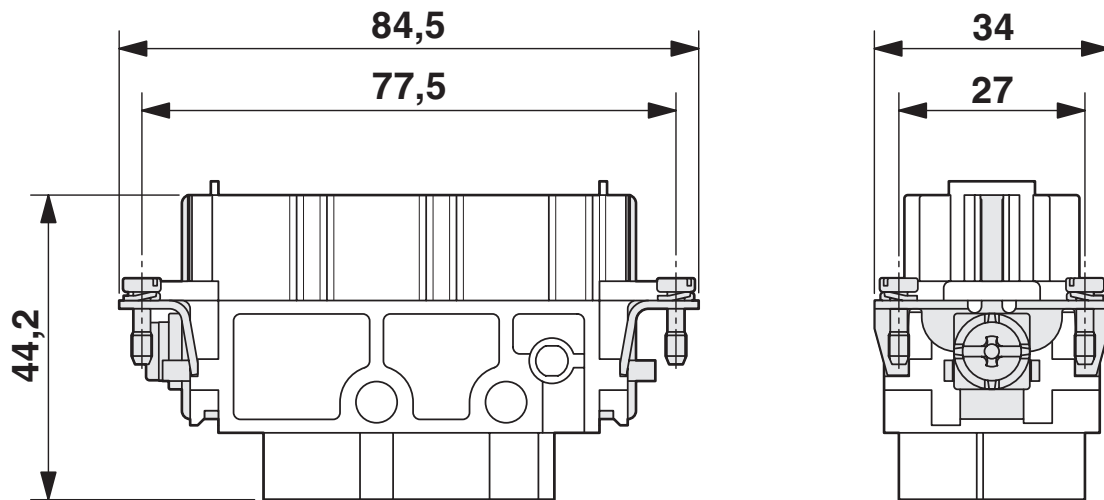
Connector pin assignment, connection side

Contact insert - HC-K 4/0-ESTS

1679414

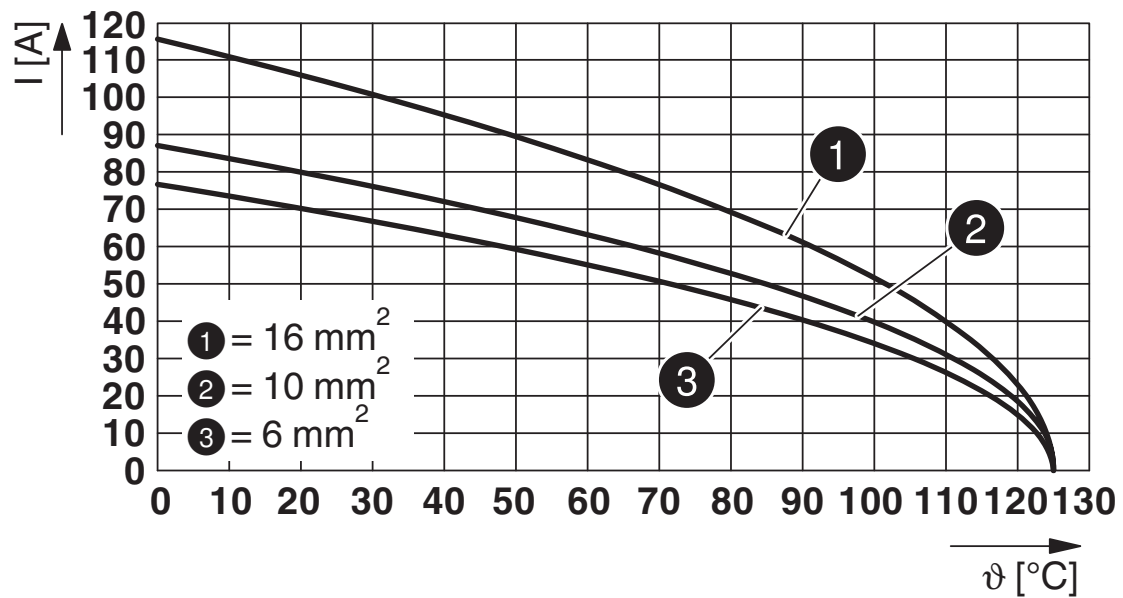
<https://www.phoenixcontact.com/pc/products/1679414>

Dimensional drawing



Male insert

Diagram



Derating diagram

Contact insert - HC-K 4/0-ESTS





1679414

<https://www.phoenixcontact.com/pc/products/1679414>

Approvals

| | | | | | |
|-----------------------------------------------------------------------------------|----------------------------------------------|-----------------------|-------------------|----------------------|--|
|  | UL Recognized Approval ID: E118976 | | | | |
| | Nominal Voltage U_N | Nominal Current I_N | Cross Section AWG | Cross Section mm^2 | |
| | 600 V | 80 A | - 6 | - | |

| | | | | | |
|-----------------------------------------------------------------------------------|-------------------------------------------------|--|--|--|--|
|  | EAC Approval ID: RU C-DE.AI30.B.01102 | | | | |
|-----------------------------------------------------------------------------------|-------------------------------------------------|--|--|--|--|

| | | | | | |
|-----------------------------------------------------------------------------------|-------------------------------------------------|--|--|--|--|
|  | EAC Approval ID: RU C-DE.BL08.B.00511 | | | | |
|-----------------------------------------------------------------------------------|-------------------------------------------------|--|--|--|--|

Contact insert - HC-K 4/0-ESTS



1679414

<https://www.phoenixcontact.com/pc/products/1679414>

Classifications

ECLASS

| | |
|---------------|----------|
| ECLASS-9.0 | 27440205 |
| ECLASS-10.0.1 | 27440205 |
| ECLASS-11.0 | 27440205 |

ETIM

| | |
|----------|----------|
| ETIM 8.0 | EC000438 |
|----------|----------|

UNSPSC

| | |
|-------------|----------|
| UNSPSC 21.0 | 39121500 |
|-------------|----------|

Contact insert - HC-K 4/0-ESTS



1679414

<https://www.phoenixcontact.com/pc/products/1679414>

Environmental Product Compliance

| | |
|------------|---------------------------------------------------------|
| China RoHS | Environmentally friendly use period: unlimited = EFUP-e |
| | No hazardous substances above threshold values |

Contact insert - HC-K 4/0-ESTS

1679414

<https://www.phoenixcontact.com/pc/products/1679414>



Accessories

Coding bolt

Coding bolt - HC-CB - 1772722

<https://www.phoenixcontact.com/pc/products/1772722>



Coding pin, prevents mismatching of up to six connectors with an identical number of positions

Screwdriver

Screwdriver - SZF 2-0,8X4,0 - 1204520

<https://www.phoenixcontact.com/pc/products/1204520>



Actuation tool, for ST terminal blocks, also suitable for use as a bladed screwdriver, size: 0.8 x 4.0 x 100 mm, 2-component grip, with non-slip grip

Contact insert - HC-K 4/0-ESTS

1679414

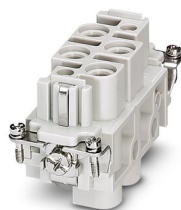
<https://www.phoenixcontact.com/pc/products/1679414>



Contact insert

Contact insert - HC-K 4/0-EBUS - 1679427

<https://www.phoenixcontact.com/pc/products/1679427>



HEAVYCON socket insert, K4/0 series, 4-pos., screw connection without wire protection

Coding element

Coding element - HC-CST - 1676857

<https://www.phoenixcontact.com/pc/products/1676857>



Coding peg for coding up to 16 connectors

Contact insert - HC-K 4/0-ESTS

1679414

<https://www.phoenixcontact.com/pc/products/1679414>



Coding element

Coding element - HC-CBU - 1676860

<https://www.phoenixcontact.com/pc/products/1676860>



Coding socket for coding up to 16 connectors

Phoenix Contact 2022 © - all rights reserved

<https://www.phoenixcontact.com>

PHOENIX CONTACT GmbH & Co. KG

Flachsmarktstraße 8

D-32825 Blomberg

+49 (0) 5235-3 00

info@phoenixcontact.com