

Crimp contact - CK4,0-ED-4,00BU AG



1663297

<https://www.phoenixcontact.com/pc/products/1663297>

Please be informed that the data shown in this PDF document is generated from our Online Catalog. Please find the complete data in the user documentation. Our General Terms of Use for Downloads are valid.



Crimp contact, contact diameter: 4 mm, turned, Socket, contact material: Copper alloy, contact surface: silver-plated, connection cross section: 4 mm² ... 4 mm², AWG 12

Crimp contact - CK4,0-ED-4,00BU AG



1663297

<https://www.phoenixcontact.com/pc/products/1663297>

Commercial Data

Item number	1663297
Packing unit	25 pc
Minimum order quantity	25 pc
Product Key	BF7AIE
Catalog Page	Page 511 (C-2-2019)
GTIN	4017918123109
Weight per Piece (including packing)	2.784 g
Weight per Piece (excluding packing)	2.682 g
Customs tariff number	85366990
Country of origin	DE

Crimp contact - CK4,0-ED-4,00BU AG



1663297

<https://www.phoenixcontact.com/pc/products/1663297>

Technical Data

Product properties

Product type	Crimp contact
Type	Individual female contact
Contact type	turned
Series	HC-M-03
	HC-M-03/04
	HC-M-04
	HC-K
	HC-M-02
	HC-HS
	HC-COM

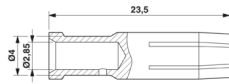
Material specifications

Contact material	Copper alloy
Contact surface material	silver-plated

Notes

General	For HC-M-3 modules
---------	--------------------

Dimensions

Dimensional drawing	
Width	4 mm
Height	4 mm
Depth	23.5 mm

Mechanical characteristics

Contact diameter	4 mm
------------------	------

Environmental and real-life conditions

Ambient conditions

Ambient temperature (operation)	-40 °C ... 125 °C
---------------------------------	-------------------

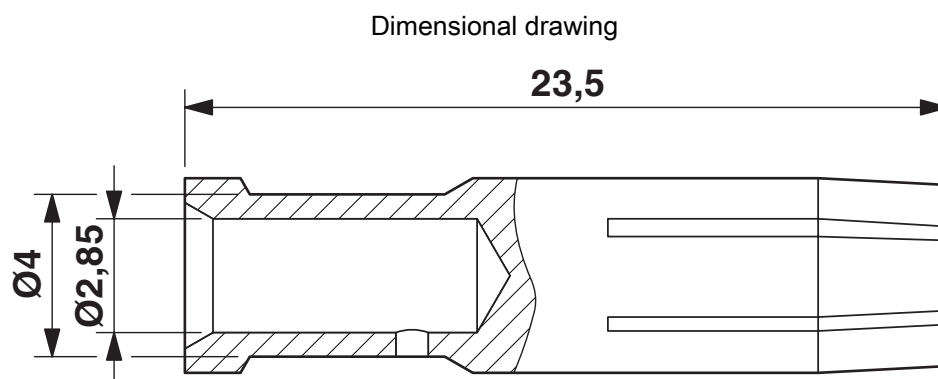
Crimp contact - CK4,0-ED-4,00BU AG

1663297

<https://www.phoenixcontact.com/pc/products/1663297>



Drawings



Crimp contact - CK4,0-ED-4,00BU AG



1663297

<https://www.phoenixcontact.com/pc/products/1663297>

Approvals



EAC

Approval ID: RU C-DE.AI30.B.01102



EAC

Approval ID: EAC-Zulassung

Crimp contact - CK4,0-ED-4,00BU AG



1663297

<https://www.phoenixcontact.com/pc/products/1663297>

Classifications

ECLASS

ECLASS-9.0	27440204
ECLASS-10.0.1	27440204
ECLASS-11.0	27440204

ETIM

ETIM 8.0	EC000796
----------	----------

UNSPSC

UNSPSC 21.0	39121500
-------------	----------

Crimp contact - CK4,0-ED-4,00BU AG



1663297

<https://www.phoenixcontact.com/pc/products/1663297>

Environmental Product Compliance

REACH SVHC	Lead 7439-92-1
China RoHS	Environmentally Friendly Use Period = 50 years
	For information on hazardous substances, refer to the manufacturer's declaration available under "Downloads"

Crimp contact - CK4,0-ED-4,00BU AG

1663297

<https://www.phoenixcontact.com/pc/products/1663297>



Accessories

Contact removal tool

Contact removal tool - UNIFOX RT-CK 4.0 - 1072064

<https://www.phoenixcontact.com/pc/products/1072064>



Contact removal tool, for rotated CK-4,0-... contacts

Crimp contact

Crimp contact - CK4,0-ED-4,00ST AG - 1663255

<https://www.phoenixcontact.com/pc/products/1663255>



Crimp contact, contact diameter: 4 mm, turned, Pin, contact material: Copper alloy, contact surface: silver-plated, connection cross section: 4 mm² ... 4 mm², AWG 12

Crimp contact - CK4,0-ED-4,00BU AG

1663297

<https://www.phoenixcontact.com/pc/products/1663297>



Crimping pliers with digital display

Crimping pliers with digital display - CRIMPFOX-TC MP-6 - 1202888

<https://www.phoenixcontact.com/pc/products/1202888>



Crimping tool, for turned contacts, universal cross-section setting, up to a maximum of 6.0 mm², digital display with 0.01 mm increments, pressure lock can be unlocked, positioning tool necessary as an accessory for contact positioning

Crimping pliers

Crimping pliers - CRIMPFOX-4,0-ED-6,00 - 1205859

<https://www.phoenixcontact.com/pc/products/1205859>



Crimping pliers, for CK 4,0... contacts, for 4.0 - 6.0 mm² conductor cross sections

Phoenix Contact 2022 © - all rights reserved

<https://www.phoenixcontact.com>

PHOENIX CONTACT GmbH & Co. KG

Flachsmarktstraße 8

D-32825 Blomberg

+49 (0) 5235-3 00

info@phoenixcontact.com