

Panel feed-through - SACC-DSIV-M12FS-5CON-L180



1694237

<https://www.phoenixcontact.com/pc/products/1694237>

Please be informed that the data shown in this PDF document is generated from our Online Catalog. Please find the complete data in the user documentation. Our General Terms of Use for Downloads are valid.



Sensor/actuator flush-type socket, 5-pos., M12, A-coded, rear/screw mounting with M12 thread, with polarity protection, with straight solder connection

Your advantages

- Standard pin assignments and codings for signal transmission with a uniform design-in design

Panel feed-through - SACC-DSIV-M12FS-5CON-L180



1694237

<https://www.phoenixcontact.com/pc/products/1694237>

Commercial Data

Item number	1694237
Packing unit	10 pc
Minimum order quantity	1 pc
Note	Made to Order (non-returnable)
Sales Key	02
Product Key	ABQCAB
Catalog Page	Page 189 (C-2-2013)
GTIN	4017918177515
Weight per Piece (including packing)	14.905 g
Weight per Piece (excluding packing)	14.51 g
Customs tariff number	85366990
Country of origin	HU

Technical Data

Notes

Notes on operation	The electrical and mechanical data specified assume that the connector pair is correctly locked and mounted. If the connector is unlocked and if there is a danger of contamination, the connector must be sealed using a protective cap > IP54. Influences arising from litz wires, cables or PCB assembly must also be taken into consideration.
--------------------	--

Product properties

Product type	Circular connectors (device side)
Number of positions	5
Shielded	no
Coding	A - standard

Insulation characteristics

Overvoltage category	II
Degree of pollution	3

Ambient conditions

Degree of protection	IP67
Degree of protection	IP67
Ambient temperature (operation)	-25 °C ... 85 °C (Plug / socket)
	-40 °C ... 85 °C (without mechanical actuation)
	-25 °C ... 85 °C (Cable, flexible installation)
	-40 °C ... 85 °C (cable, fixed installation)

Connector

Insertion/withdrawal cycles	> 100
-----------------------------	-------

Header 1

Head design	Socket
Head cable outlet	straight
Head thread type	M12
Coding	A-coded

Electrical properties

Rated surge voltage	1.5 kV
Contact resistance	≤ 3 mΩ
Insulation resistance	≥ 100 MΩ
Nominal voltage U_N	60 V
Nominal current I_N	4 A

Material specifications

Flammability rating according to UL 94	HB
--	----

Panel feed-through - SACC-DSIV-M12FS-5CON-L180



1694237

<https://www.phoenixcontact.com/pc/products/1694237>

Sealing material	NBR
Contact material	CuZn
Contact surface material	Au
Contact carrier material	PA 6.6
Cable gland material	Nickel-plated brass

Connection data

Conductor connection

Connection method	Solder pins
-------------------	-------------

Mounting

Mounting type	Rear mounting M12 x 1 With locking nut
Assembly instructions	With locking nut

Standards and regulations

M12

Standards/specifications	IEC 61076-2-101
--------------------------	-----------------

Cable / line

Ambient conditions

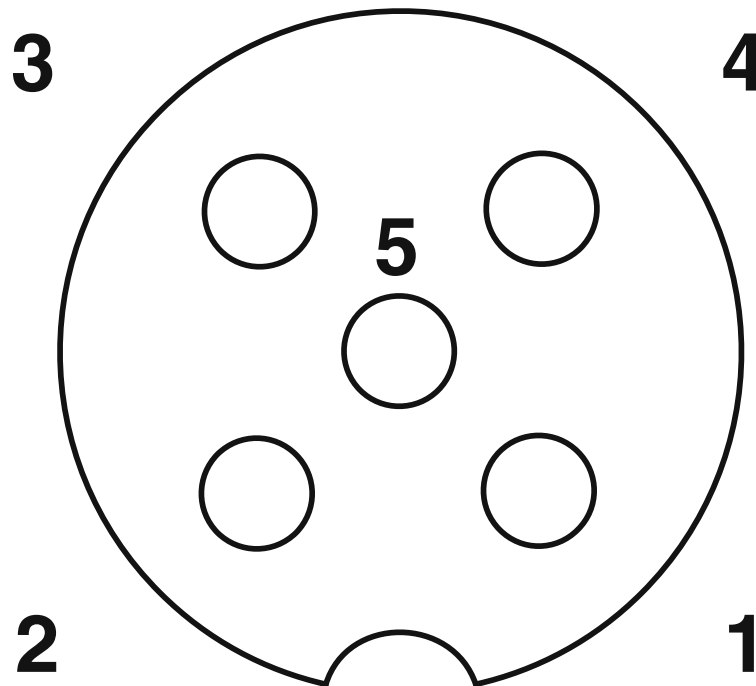
Ambient temperature (operation)	-25 °C ... 85 °C (Cable, flexible installation)
	-40 °C ... 85 °C (cable, fixed installation)

1694237

<https://www.phoenixcontact.com/pc/products/1694237>

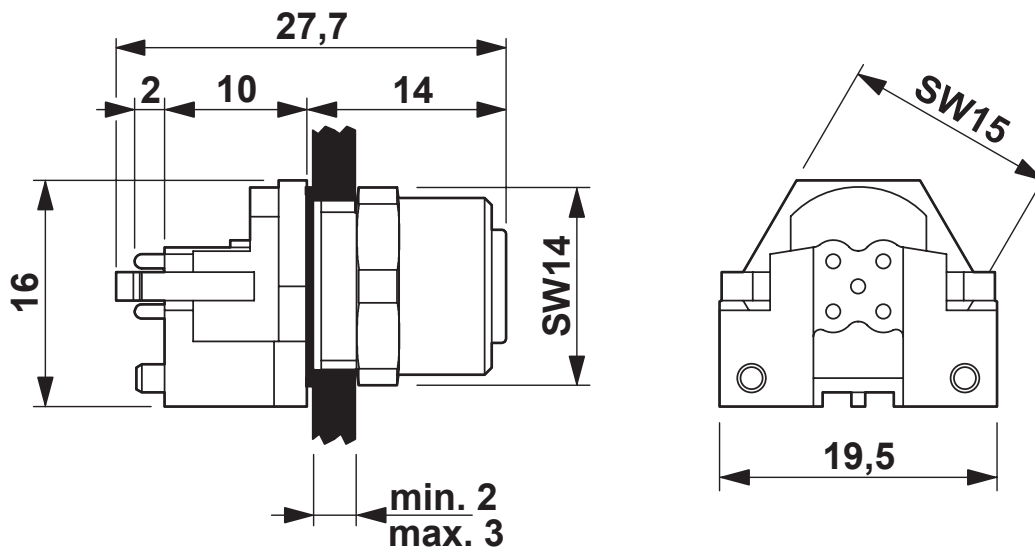
Drawings

Schematic diagram



Pin assignment M12 socket, 5-pos., A-coded, socket side view

Dimensional drawing



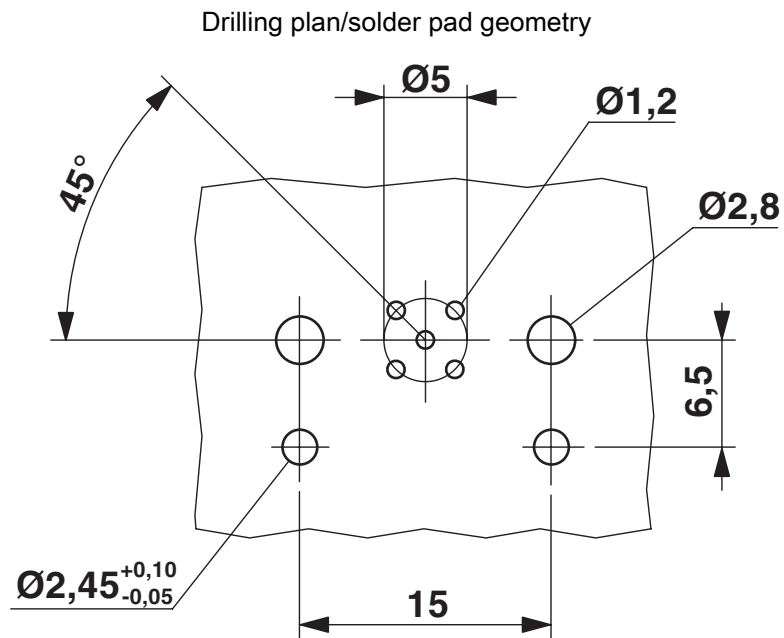
M12 flush-type connector

Panel feed-through - SACC-DSIV-M12FS-5CON-L180



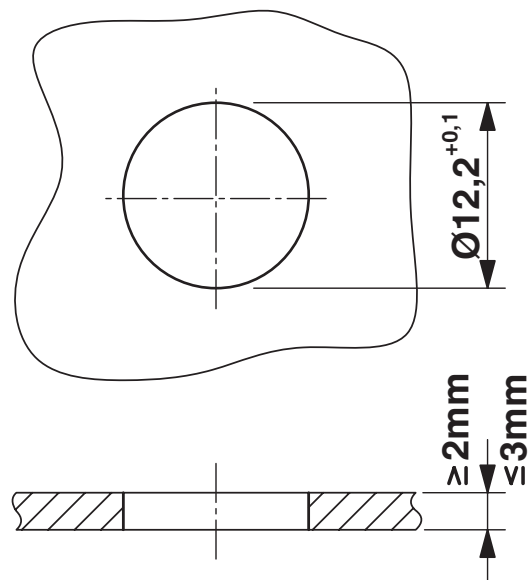
1694237

<https://www.phoenixcontact.com/pc/products/1694237>



M12 flush-type connector

Dimensional drawing



Mounting cutout

Panel feed-through - SACC-DSIV-M12FS-5CON-L180




1694237

<https://www.phoenixcontact.com/pc/products/1694237>

Approvals

 cUL Recognized Approval ID: FILE E 221474				
	Nominal Voltage U_N	Nominal Current I_N	Cross Section AWG	Cross Section mm^2
	125 V	4 A	-	-

 UL Recognized Approval ID: FILE E 221474				
	Nominal Voltage U_N	Nominal Current I_N	Cross Section AWG	Cross Section mm^2
	125 V	4 A	-	-

 EAC Approval ID: B.01687	
--	--

cULus Recognized	
-------------------------	--

1694237

<https://www.phoenixcontact.com/pc/products/1694237>

Classifications

ECLASS

ECLASS-10.0.1	27440102
ECLASS-9.0	27440102
ECLASS-11.0	27440102

ETIM

ETIM 8.0	EC002635
----------	----------

UNSPSC

UNSPSC 21.0	39121400
-------------	----------

1694237

<https://www.phoenixcontact.com/pc/products/1694237>

Environmental Product Compliance

REACH SVHC	Lead 7439-92-1
China RoHS	Environmentally Friendly Use Period = 50 years
	For information on hazardous substances, refer to the manufacturer's declaration available under "Downloads"

1694237

<https://www.phoenixcontact.com/pc/products/1694237>

Accessories

Screw plug

Screw plug - PROT-M12 - 1680539

<https://www.phoenixcontact.com/pc/products/1680539>



An M12 screw plug for the unoccupied M12 sockets of the sensor/actuator cable, boxes and flush-type connectors

Screw plug

Screw plug - PROT-M12 SH - 1503302

<https://www.phoenixcontact.com/pc/products/1503302>



An M12 screw plug for the unoccupied M12 sockets of the shielded sensor/actuator cable, boxes and flush-type connectors

1694237

<https://www.phoenixcontact.com/pc/products/1694237>

Screw plug

Screw plug - PROT-M12 FB - 1555538

<https://www.phoenixcontact.com/pc/products/1555538>



M12 high-grade steel screw plug, for unoccupied M12 sockets of the sensor/actuator cables, boxes and flush-type connectors for the food industry

Phoenix Contact 2022 © - all rights reserved

<https://www.phoenixcontact.com>

PHOENIX CONTACT GmbH & Co. KG

Flachsmarktstraße 8

D-32825 Blomberg

+49 (0) 5235-3 00

info@phoenixcontact.com