

Device connector, rear mounting - SACC-DSIV-M12MS-5CON-L 90



1694224

<https://www.phoenixcontact.com/pc/products/1694224>

Please be informed that the data shown in this PDF document is generated from our Online Catalog. Please find the complete data in the user documentation. Our General Terms of Use for Downloads are valid.

Sensor/actuator flush-type connector, plug, 5-pos., M12, A-coded, rear/screw mounting with M12 thread, with polarity protection, with angled solder connection



Device connector, rear mounting - SACC-DSIV-M12MS-5CON-L 90



1694224

<https://www.phoenixcontact.com/pc/products/1694224>

Commercial Data

Item number	1694224
Packing unit	10 pc
Minimum order quantity	1 pc
Note	Made to Order (non-returnable)
Sales Key	02
Product Key	ABQCAC
Catalog Page	Page 60 (PC-2011)
GTIN	4017918177508
Weight per Piece (including packing)	12.03 g
Weight per Piece (excluding packing)	11.64 g
Customs tariff number	85366990
Country of origin	HU

Device connector, rear mounting - SACC-DSIV-M12MS-5CON-L 90



1694224

<https://www.phoenixcontact.com/pc/products/1694224>

Technical Data

Product properties

Product type	Circular connectors (device side)
Number of positions	5
Shielded	no
Coding	A - standard

Insulation characteristics

Overvoltage category	II
Degree of pollution	3

Ambient conditions

Degree of protection	IP67
Degree of protection	IP67
Ambient temperature (operation)	-25 °C ... 85 °C (Plug / socket)

Connector

Header 1

Head design	Plug
Head cable outlet	straight
Head thread type	M12
Coding	A-coded

Electrical properties

Contact resistance	$\leq 5 \text{ m}\Omega$
Insulation resistance	$\geq 100 \text{ M}\Omega$
Nominal voltage U_N	60 V
Nominal current I_N	4 A

Material specifications

Flammability rating according to UL 94	HB
Sealing material	NBR
Contact material	CuZn
Contact surface material	Au
Contact carrier material	PA 6.6
Cable gland material	Nickel-plated brass

Connection data

Conductor connection

Connection method	Solder pins
-------------------	-------------

Device connector, rear mounting - SACC-DSIV-M12MS-5CON-L 90



1694224

<https://www.phoenixcontact.com/pc/products/1694224>

Mounting

Mounting type	Rear mounting M12 x 1 With locking nut
Assembly instructions	With locking nut

Standards and regulations

M12

Standards/specifications	IEC 61076-2-101
--------------------------	-----------------

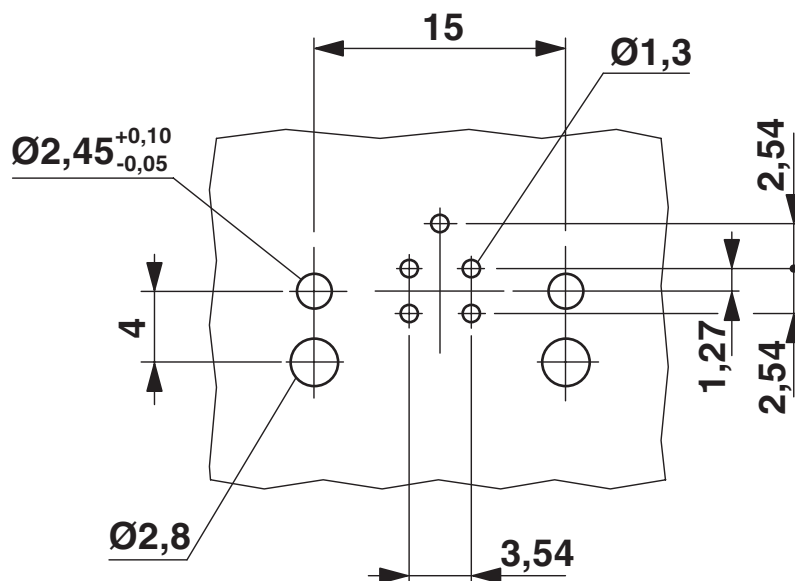
Device connector, rear mounting - SACC-DSIV-M12MS-5CON-L 90

1694224

<https://www.phoenixcontact.com/pc/products/1694224>

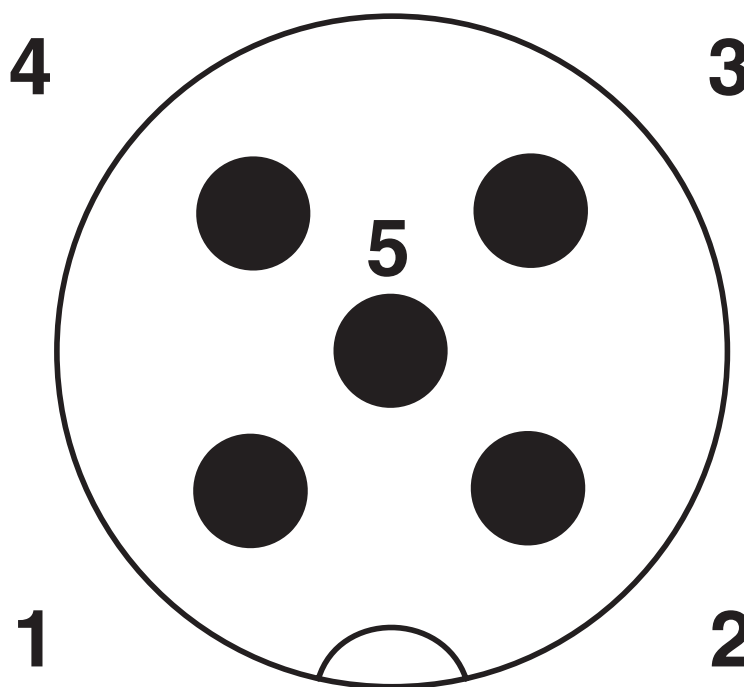
Drawings

Drilling plan/solder pad geometry



M12 flush-type connector

Schematic diagram



Pin assignment M12 male connector, 5-pos., A-coded, male side

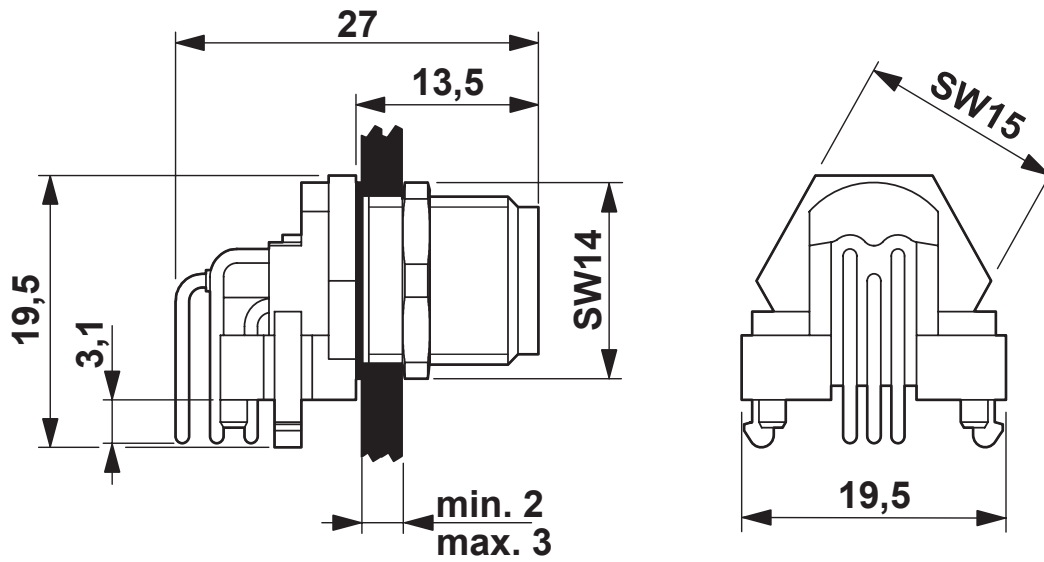
Device connector, rear mounting - SACC-DSIV-M12MS-5CON-L 90



1694224

<https://www.phoenixcontact.com/pc/products/1694224>

Dimensional drawing



M12 flush-type connector

Device connector, rear mounting - SACC-DSIV-M12MS-5CON-L 90





1694224

<https://www.phoenixcontact.com/pc/products/1694224>

Approvals

 cUL Recognized Approval ID: FILE E 221474				
	Nominal Voltage U_N	Nominal Current I_N	Cross Section AWG	Cross Section mm^2
	125 V	4 A	-	-

 UL Recognized Approval ID: FILE E 221474				
	Nominal Voltage U_N	Nominal Current I_N	Cross Section AWG	Cross Section mm^2
	125 V	4 A	-	-

 EAC Approval ID: B.01687				
---	--	--	--	--

cULus Recognized				
-------------------------	--	--	--	--

Device connector, rear mounting - SACC-DSIV-M12MS-5CON-L 90



1694224

<https://www.phoenixcontact.com/pc/products/1694224>

Classifications

ECLASS

ECLASS-9.0	27440102
ECLASS-10.0.1	27440102
ECLASS-11.0	27440102

ETIM

ETIM 8.0	EC002635
----------	----------

UNSPSC

UNSPSC 21.0	39121400
-------------	----------

Device connector, rear mounting - SACC-DSIV-M12MS-5CON-L 90



1694224

<https://www.phoenixcontact.com/pc/products/1694224>

Environmental Product Compliance

REACH SVHC	Lead 7439-92-1
China RoHS	Environmentally Friendly Use Period = 50 years
	For information on hazardous substances, refer to the manufacturer's declaration available under "Downloads"

Phoenix Contact 2022 © - all rights reserved
<https://www.phoenixcontact.com>

PHOENIX CONTACT GmbH & Co. KG
Flachmarktstraße 8
D-32825 Blomberg
+49 (0) 5235-3 00
info@phoenixcontact.com