

D-SUB panel mounting frames - VS-09-A

1688366

<https://www.phoenixcontact.com/pc/products/1688366>

Please be informed that the data shown in this PDF document is generated from our Online Catalog. Please find the complete data in the user documentation. Our General Terms of Use for Downloads are valid.



D-SUB panel mounting frame, shell size 1, IP67 degree of protection

D-SUB panel mounting frames - VS-09-A



1688366

<https://www.phoenixcontact.com/pc/products/1688366>

Commercial Data

Item number	1688366
Packing unit	5 pc
Minimum order quantity	1 pc
Product Key	ABNFAC
Catalog Page	Page 444 (C-2-2019)
GTIN	4017918817510
Weight per Piece (including packing)	8.9 g
Weight per Piece (excluding packing)	8.86 g
Customs tariff number	85389099
Country of origin	DE

Technical Data

Notes

Safety note

<p>Safety note</p>	<p>WARNING: The connectors may not be plugged in or disconnected under load. Ignoring the warning or improper use may damage persons and/or property.</p> <ul style="list-style-type: none"> • WARNING: Commission properly functioning products only. The products must be regularly inspected for damage. Decommission defective products immediately. Replace damaged products. Repairs are not possible. • WARNING: Only electrically qualified personnel may install and operate the product. They must observe the following safety notes. The qualified personnel must be familiar with the basics of electrical engineering. They must be able to recognize and prevent danger. The relevant symbol on the packaging indicates that only personnel familiar with electrical engineering are allowed to install and operate the product. • The products are suitable for applications in plant, controller, and electrical device engineering. • When operating the connectors in outdoor applications, they must be separately protected against environmental influences. • Assembled products may not be manipulated or improperly opened. • Only use mating connectors that are specified in the technical data of the standards listed (e.g. the ones listed in the product accessories online at phoenixcontact.com/products). • When using the product in direct connection with third-party manufacturers, the user is responsible. • For operating voltages > 50 V AC, conductive connector housings must be grounded • Only use tools recommended by Phoenix Contact • The installation notes/Design In documents online on the download page at phoenixcontact.com/products must be observed for this product. • Use a protective cap to protect connectors that are not in use. The suitable accessories are available online in the accessory section of the product at phoenixcontact.com/products • Operate the connector only when it is fully plugged in and interlocked. • Operate the connector only when it is fully plugged in. • Ensure that when laying the cable, the tensile load on the connectors does not exceed the upper limit specified in the standards. • Observe the minimum bending radius of the cable. Lay the cable without twisting it. • VDE 0100/1.97 § 411.1.3.2 and DIN EN 60 204/11.98 § 14.1.3 are applicable when combining several circuits in a cable and/or connector
--------------------	--

Product properties

D-SUB panel mounting frames - VS-09-A

1688366

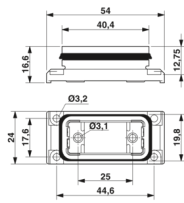
<https://www.phoenixcontact.com/pc/products/1688366>

Type	Shell size 1
Product type	Panel mounting frame
Connection profile	D-SUB
Type	RJ45

Insulation characteristics

Degree of pollution	2
---------------------	---

Dimensions

Dimensional drawing	
Width	24 mm
Height	54 mm
Length	16.7 mm

Material specifications

Color	gray
Material	Plastic
Flammability rating according to UL 94	V0
Sealing material	Flat gasket: NBR; profile gasket: EPDM
Seal material	NBR
Seal material, flat gasket	NBR
Housing material	PA

Connector

Insertion/withdrawal cycles	≥ 1000
Connection profile	D-SUB
Insertion/withdrawal cycles	≥ 1000
Material	Plastic
Housing material	PA
Degree of protection	IP67
Connection profile	D-SUB
Insertion/withdrawal cycles	≥ 1000
Material	Plastic

Environmental and real-life conditions

Ambient conditions

Degree of protection	IP67
Ambient temperature (operation)	-40 °C ... 80 °C
Ambient temperature (storage/transport)	-40 °C ... 80 °C

D-SUB panel mounting frames - VS-09-A



1688366

<https://www.phoenixcontact.com/pc/products/1688366>

Ambient temperature (assembly)	-40 °C ... 80 °C
--------------------------------	------------------

Mounting

Mounting type	Front mounting
---------------	----------------

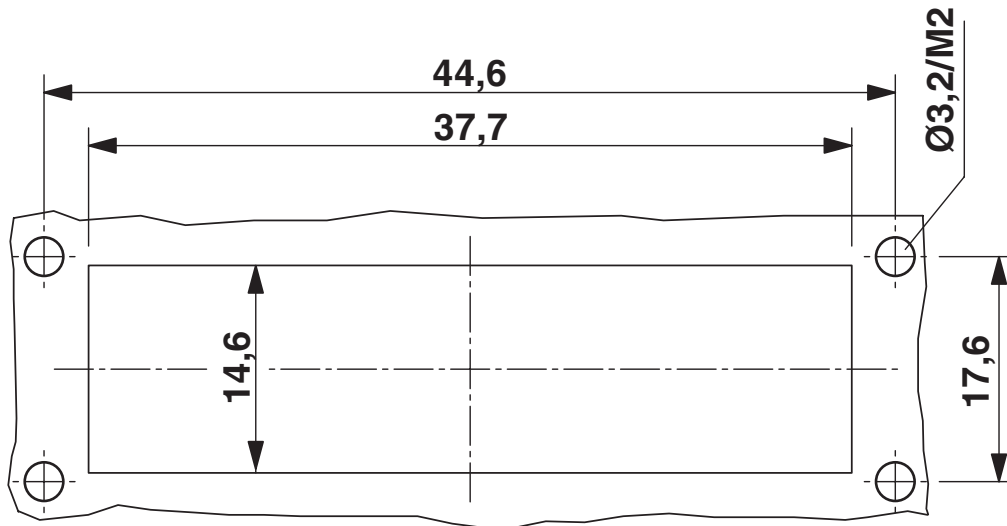
D-SUB panel mounting frames - VS-09-A

1688366

<https://www.phoenixcontact.com/pc/products/1688366>

Drawings

Dimensional drawing



Mounting cutout

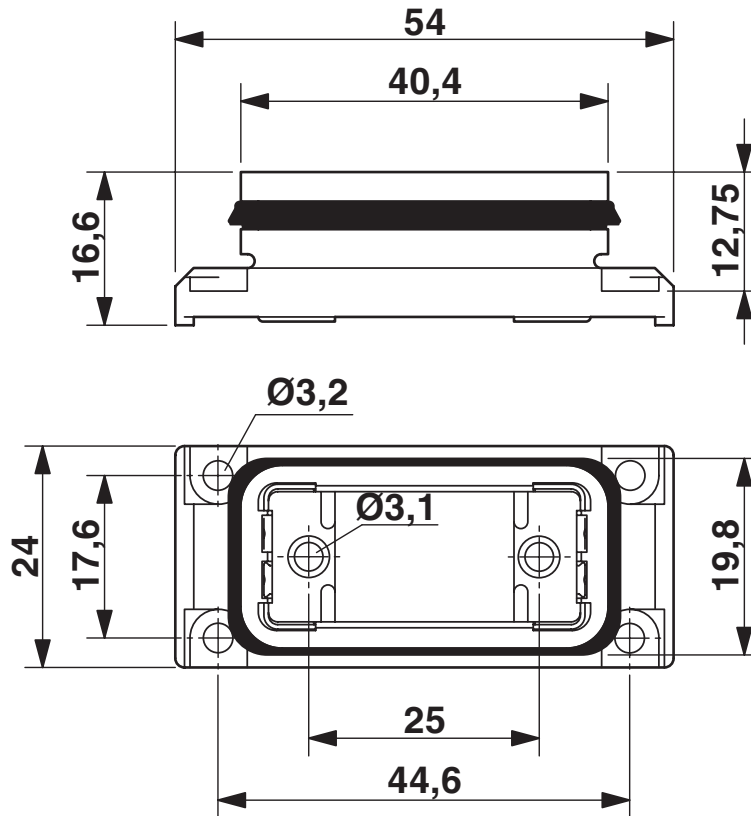
D-SUB panel mounting frames - VS-09-A

1688366

<https://www.phoenixcontact.com/pc/products/1688366>



Dimensional drawing



D-SUB panel mounting frame

D-SUB panel mounting frames - VS-09-A



1688366

<https://www.phoenixcontact.com/pc/products/1688366>

Approvals



EAC

Approval ID: B.01687

D-SUB panel mounting frames - VS-09-A



1688366

<https://www.phoenixcontact.com/pc/products/1688366>

Classifications

ECLASS

ECLASS-9.0	27440201
ECLASS-10.0.1	27440201
ECLASS-11.0	27440201

ETIM

ETIM 8.0	EC002309
----------	----------

UNSPSC

UNSPSC 21.0	31261500
-------------	----------

D-SUB panel mounting frames - VS-09-A



1688366

<https://www.phoenixcontact.com/pc/products/1688366>

Environmental Product Compliance

China RoHS	Environmentally friendly use period: unlimited = EFUP-e
	No hazardous substances above threshold values

D-SUB panel mounting frames - VS-09-A



1688366

<https://www.phoenixcontact.com/pc/products/1688366>

Accessories

D-SUB protective cover

D-SUB protective cover - VS-09-SD - 1887086

<https://www.phoenixcontact.com/pc/products/1887086>

D-SUB protective cover, material: PA, housing size: 1, color: gray



D-SUB EMC shroud

D-SUB EMC shroud - VS-09-A-EMV-S - 1688463

<https://www.phoenixcontact.com/pc/products/1688463>

D-SUB EMC shroud, for panel mounting frame VS-09-..., shell size 1, shielded



Phoenix Contact 2022 © - all rights reserved

<https://www.phoenixcontact.com>

PHOENIX CONTACT GmbH & Co. KG

Flachsmarktstraße 8

D-32825 Blomberg

+49 (0) 5235-3 00

info@phoenixcontact.com