

Contact insert - HC-BB10-I-PT-F

1014417

<https://www.phoenixcontact.com/pc/products/1014417>

Please be informed that the data shown in this PDF document is generated from our Online Catalog. Please find the complete data in the user documentation. Our General Terms of Use for Downloads are valid.



Contact insert, number of positions: 10+PE, size: B6, power contacts: 10, control contacts: 0, number of connections per position: 1, Socket, Push-in connection, 500 V, 16 A, 0.5 mm² ... 2.5 mm², application: Power

Your advantages

- Easy installation without tools, even when mounted, with push-in connection technology
- Shortest installation time compared to other connection technologies
- Quick and effortless wiring, in particular when space is tight
- Automatic cabling with robots possible
- Safe wiring and operation with color-coded actuators
- Shock and vibration-resistant in accordance with DIN EN 61373
- Cost-effective and fast coding with plastic profiles
- High contact density

Contact insert - HC-BB10-I-PT-F



1014417

<https://www.phoenixcontact.com/pc/products/1014417>

Commercial Data

| | |
|--------------------------------------|---------------------|
| Item number | 1014417 |
| Packing unit | 1 pc |
| Minimum order quantity | 1 pc |
| Product Key | BF7ABD |
| Catalog Page | Page 553 (C-2-2019) |
| GTIN | 4055626494319 |
| Weight per Piece (including packing) | 59.1 g |
| Weight per Piece (excluding packing) | 58.2 g |
| Customs tariff number | 85366990 |
| Country of origin | CN |

Contact insert - HC-BB10-I-PT-F



1014417

<https://www.phoenixcontact.com/pc/products/1014417>

Technical Data

Notes

| | |
|---------|---|
| General | for flexible conductors with or without ferrules |
| General | Connectors may be operated only when there is no load/voltage. |
| General | Flexible conductors may be used without ferrules as long as they comply with IEC 60228 Class 1 ... 5. The individual litz wires must have a min. diameter of 0.17 mm. |

Product properties

| | |
|------------------------------------|--|
| Type | B6 |
| Product type | Contact insert with a fixed no. of positions |
| Number of positions | 10 |
| Connection profile | 10+PE |
| Application | Power |
| Number of connections per position | 1 |
| No. of power contacts | 10 |
| No. of control contacts | 0 |
| Contact type | turned |
| Series | HC-BB |

Insulation characteristics

| | |
|----------------------|-----|
| Overvoltage category | III |
| Degree of pollution | 3 |

Connection data

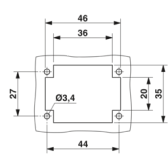
Connection technology

| | |
|------------------------------------|--------------------|
| Connection technology | Push-in connection |
| Number of connections per position | 1 |
| Connection in acc. with standard | IEC / EN |

Conductor connection

| | |
|---|-----------|
| Connection cross section AWG | 20 ... 14 |
| Stripping length of the individual wire | 10 mm |

Dimensions

| | |
|---------------------|--|
| Dimensional drawing |  |
| Width | 34 mm |
| Height | 32.5 mm |
| Length | 51 mm |

Contact insert - HC-BB10-I-PT-F



1014417

<https://www.phoenixcontact.com/pc/products/1014417>

| | |
|---------------------------------|-------|
| Drill hole distance, horizontal | 44 mm |
| Drill hole distance, vertical | 27 mm |

Mechanical characteristics

| | |
|------------------------|--------|
| Minimum housing height | 72 mm |
| Contact diameter | 2.5 mm |

Electrical properties

| | |
|-----------------------|-----------------------|
| Rated voltage (III/3) | 500 V |
| Rated surge voltage | 6 kV |
| Rated current | 16 A (power contacts) |

Material specifications

| | |
|--|---|
| Color | gray |
| Flammability rating according to UL 94 | V0 |
| Contact material | Copper alloy |
| Contact surface material | Ag |
| Contact carrier material | PC |
| Standards/regulations | PC: Fire protection in rail vehicles - requirement sets R22, R23, and R24 acc. to DIN EN 45545-2 (Risk level HL1 - HL3) |

Connector

| | |
|-----------------------------|-------|
| Insertion/withdrawal cycles | ≥ 500 |
|-----------------------------|-------|

Cable / line

Cable structure

| | |
|---|-------|
| Stripping length of the individual wire | 10 mm |
|---|-------|

Mounting

| | |
|-----------------------|---|
| Assembly instructions | To ensure correct use, installation in housing with IP54 protection or better is required |
|-----------------------|---|

Ambient conditions

| | |
|---------------------------------|--|
| Ambient temperature (operation) | -40 °C ... 125 °C (including heating up of contacts) |
|---------------------------------|--|

Standards and regulations

Testing

| | |
|-----------------------|---|
| Standards/regulations | PC: Fire protection in rail vehicles - requirement sets R22, R23, and R24 acc. to DIN EN 45545-2 (Risk level HL1 - HL3) |
|-----------------------|---|

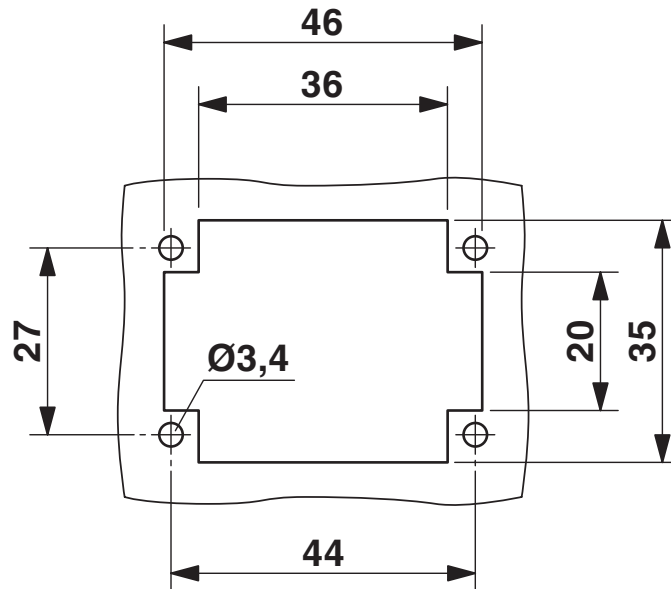
Contact insert - HC-BB10-I-PT-F

1014417

<https://www.phoenixcontact.com/pc/products/1014417>

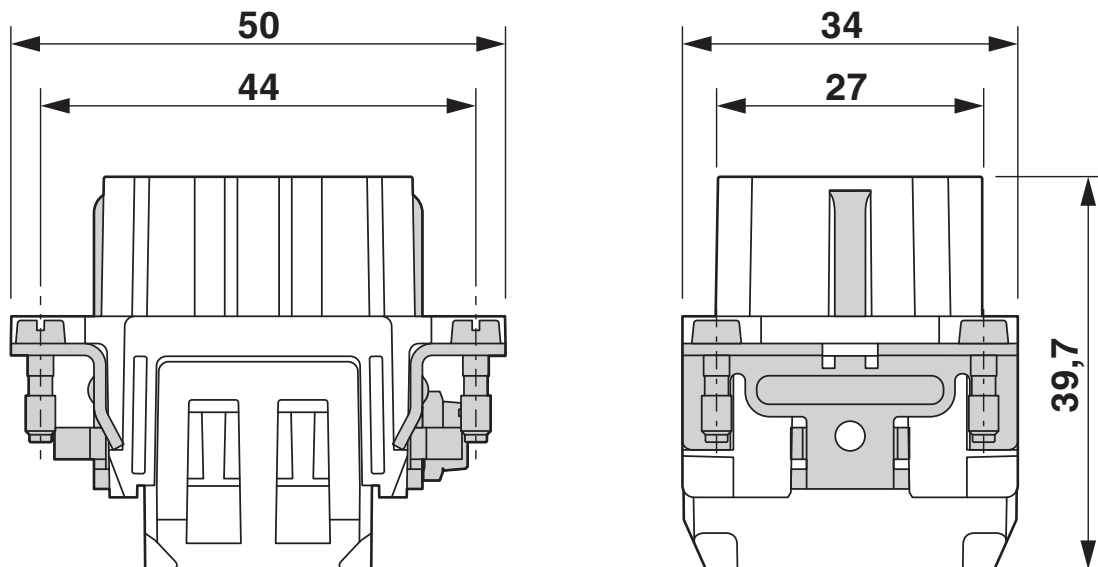
Drawings

Dimensional drawing



Mounting cutout when used without housing

Dimensional drawing



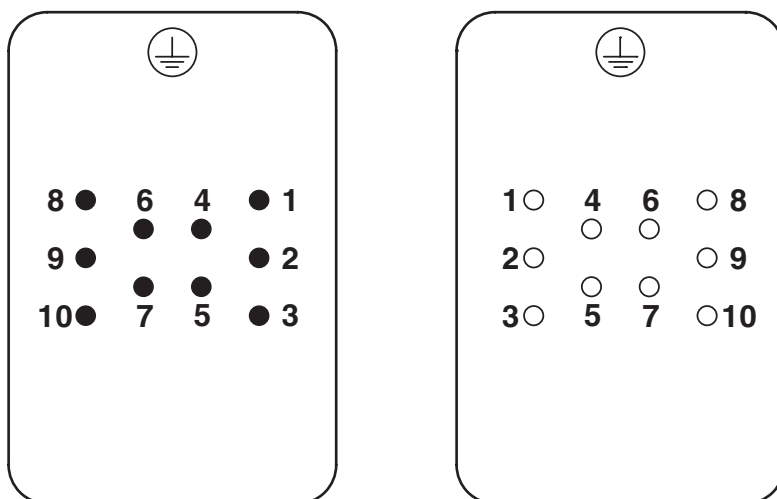
Female insert

Contact insert - HC-BB10-I-PT-F

1014417

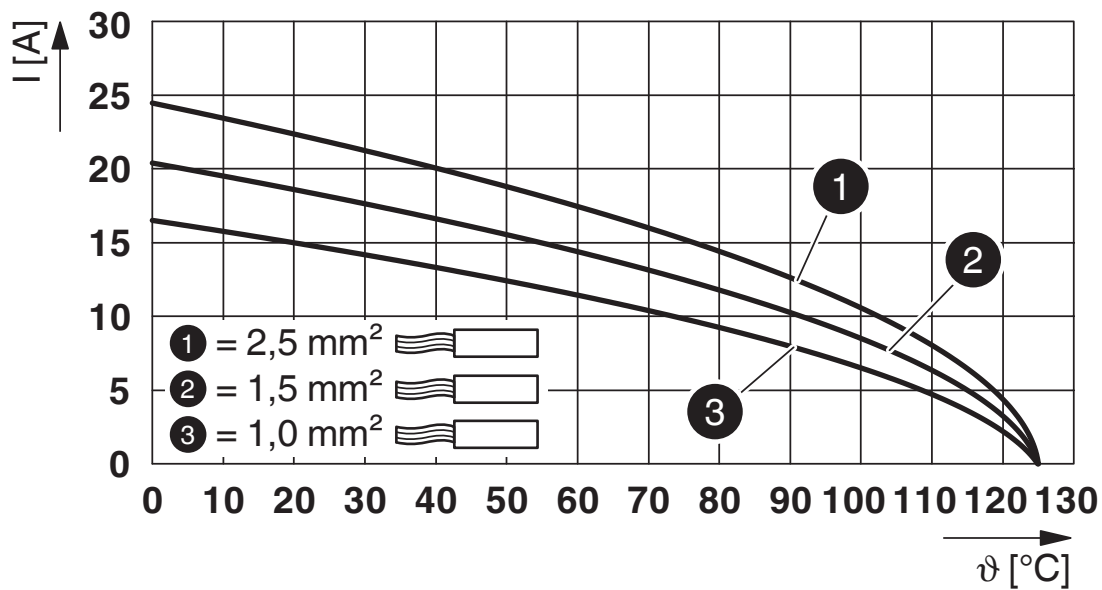
<https://www.phoenixcontact.com/pc/products/1014417>

Schematic diagram



Connector pin assignment: Left pin - right socket

Diagram

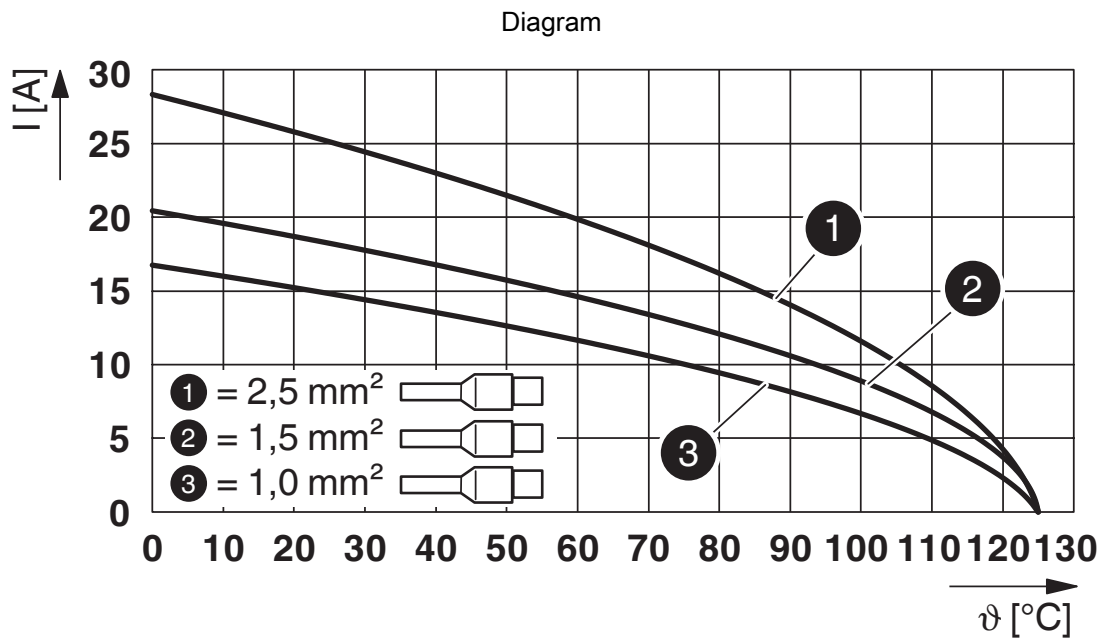


Derating diagram for flexible conductors

Contact insert - HC-BB10-I-PT-F

1014417

<https://www.phoenixcontact.com/pc/products/1014417>



Derating diagram for flexible conductors with ferrule

Contact insert - HC-BB10-I-PT-F



1014417

<https://www.phoenixcontact.com/pc/products/1014417>

Approvals

DNV

Approval ID: TAE000037S



EAC

Approval ID: RU C-DE.BL08.B.00511



UL Recognized

Approval ID: E468743

| | Nominal Voltage U_N | Nominal Current I_N | Cross Section AWG | Cross Section mm^2 |
|--|-----------------------|-----------------------|-------------------|-----------------------------|
| | 600 V | 21 A | - 14 | - |

Contact insert - HC-BB10-I-PT-F



1014417

<https://www.phoenixcontact.com/pc/products/1014417>

Classifications

ECLASS

| | |
|---------------|----------|
| ECLASS-9.0 | 27440205 |
| ECLASS-10.0.1 | 27440205 |
| ECLASS-11.0 | 27440205 |

ETIM

| | |
|----------|----------|
| ETIM 8.0 | EC000438 |
|----------|----------|

UNSPSC

| | |
|-------------|----------|
| UNSPSC 21.0 | 39121500 |
|-------------|----------|

Contact insert - HC-BB10-I-PT-F



1014417

<https://www.phoenixcontact.com/pc/products/1014417>

Environmental Product Compliance

| | |
|------------|---|
| China RoHS | Environmentally friendly use period: unlimited = EFUP-e |
| | No hazardous substances above threshold values |

Contact insert - HC-BB10-I-PT-F

1014417

<https://www.phoenixcontact.com/pc/products/1014417>

Accessories

Electrical crimping tool

Electrical crimping tool - CF CRIMPHANDY 0,5 - 1212463

<https://www.phoenixcontact.com/pc/products/1212463>



Mobile handheld device, battery-powered, for processing on-tape ferrules 0.5 mm² with functional end, suitable for PVC insulated conductors (H05V-K), incl. battery, charger, CUTFOX 12 cable cutter, waste guide plate 2, service tool for error correction, and one strip of ferrules 0.5 mm², packed in a robust case.

Electrical crimping tool

Electrical crimping tool - CF CRIMPHANDY 0,75 - 1212464

<https://www.phoenixcontact.com/pc/products/1212464>



Mobile handheld device, battery-powered, for processing on-tape ferrules 0.75 mm² with functional end, suitable for PVC insulated conductors (H05V-K), incl. battery, charger, CUTFOX 12 cable cutter, waste guide plate 2, service tool for error correction, and one strip of ferrules 0.75 mm², packed in a robust case.

Contact insert - HC-BB10-I-PT-F

1014417

<https://www.phoenixcontact.com/pc/products/1014417>

Electrical crimping tool

Electrical crimping tool - CF CRIMPHANDY 1,0 - 1212465

<https://www.phoenixcontact.com/pc/products/1212465>



Mobile handheld device, battery-powered, for processing on-tape ferrules 1.0 mm² with functional end, suitable for PVC insulated conductors (H05V-K), incl. battery, charger, CUTFOX 12 cable cutter, waste guide plate 2, service tool for error correction, and one strip of ferrules 1.0 mm², packed in a robust case.

Electrical crimping tool

Electrical crimping tool - CF CRIMPHANDY 1,5 - 1212466

<https://www.phoenixcontact.com/pc/products/1212466>



Mobile handheld device, battery-powered, for processing on-tape ferrules 1.5 mm² with functional end, suitable for PVC insulated conductors (H07V-K), incl. battery, charger, CUTFOX 12 cable cutter, waste guide plate 2, service tool for error correction, and one strip of ferrules 1.5 mm², packed in a robust case.

Contact insert - HC-BB10-I-PT-F

1014417

<https://www.phoenixcontact.com/pc/products/1014417>

Coding bolt

Coding bolt - HC-CB - 1772722

<https://www.phoenixcontact.com/pc/products/1772722>

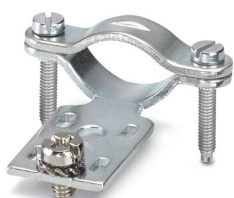


Coding pin, prevents mismatching of up to six connectors with an identical number of positions

Strain relief clamp

Strain relief clamp - HC-B-ZG - 1685327

<https://www.phoenixcontact.com/pc/products/1685327>



Strain relief clamps contact inserts of series: B-, BB-, D 40, D 64, DD and HV, straight cable exit

Contact insert - HC-BB10-I-PT-F

1014417

<https://www.phoenixcontact.com/pc/products/1014417>

Strain relief clamp

Strain relief clamp - HC-B-ZS - 1685330

<https://www.phoenixcontact.com/pc/products/1685330>



Strain relief clamps contact inserts of series: B-, BB-, D 40, D 64, DD and HV, lateral cable exit

Screw

Screw - HC-B-PES - 1604997

<https://www.phoenixcontact.com/pc/products/1604997>



PE screw, for contact inserts HC-B / HC-BB / HC-DD / HC-D40 / HC-D64

Contact insert - HC-BB10-I-PT-F

1014417

<https://www.phoenixcontact.com/pc/products/1014417>

Contact insert

Contact insert - HC-BB10-I-PT-M - 1014418

<https://www.phoenixcontact.com/pc/products/1014418>



Contact insert, number of positions: 10+PE, size: B6, power contacts: 10, control contacts: 0, number of connections per position: 1, Pin, Push-in connection, 500 V, 16 A, 0.5 mm² ... 2.5 mm², application: Power

DIN rail mounting frame

DIN rail mounting frame - HC-CIF-B06-HFWL-PL - 1424334

<https://www.phoenixcontact.com/pc/products/1424334>



DIN rail mounting frame, type: B6, for contact inserts, Top frame

Contact insert - HC-BB10-I-PT-F

1014417

<https://www.phoenixcontact.com/pc/products/1014417>

DIN rail mounting frame

DIN rail mounting frame - HC-CIF-B06-24-BFAFL-PL - 1424338

<https://www.phoenixcontact.com/pc/products/1424338>



DIN rail mounting frame, type: B6 - B24, for contact inserts, Base frame

Docking frames

Docking frames - HC-B 6-ANDOCK - 1586112

<https://www.phoenixcontact.com/pc/products/1586112>



Docking frames for racks, for type B6 contact inserts, with 4 M5 flat headed screws, slide-in offset for x/y axis of ± 1.5 mm

Contact insert - HC-BB10-I-PT-F

1014417

<https://www.phoenixcontact.com/pc/products/1014417>

Adapter

Adapter - HC-B-PE-PT - 1054672

<https://www.phoenixcontact.com/pc/products/1054672>



PE adapter with PT connection, for 1 PE connection, for HC-B / HC-BB / HC-DD / HC-D40 / HC-D64 contact inserts

Coding element

Coding element - HC-CST - 1676857

<https://www.phoenixcontact.com/pc/products/1676857>



Coding peg for coding up to 16 connectors

Contact insert - HC-BB10-I-PT-F

1014417

<https://www.phoenixcontact.com/pc/products/1014417>

Coding element

Coding element - HC-CBU - 1676860

<https://www.phoenixcontact.com/pc/products/1676860>



Coding socket for coding up to 16 connectors

Coding profile

Coding profile - CP-HC-S - 1410916

<https://www.phoenixcontact.com/pc/products/1410916>



Coding profile, 4 elements per star, for insertion in a coding keyway, for contact inserts HC-BB... / HC-A10-I-UT... / HC-A16-I-UT...

Contact insert - HC-BB10-I-PT-F

1014417

<https://www.phoenixcontact.com/pc/products/1014417>



Adapter plate

Adapter plate - HC-B24/6-ADP-SS - 1034215

<https://www.phoenixcontact.com/pc/products/1034215>

Adapter plate, type: B24 to B6



PE multiplier

PE multiplier - HC-B-2PE-PT - 1054675

<https://www.phoenixcontact.com/pc/products/1054675>

PE adapter with PT connection, for 2 PE connections, for HC-B / HC-BB / HC-DD / HC-D40 / HC-D64 contact inserts



Contact insert - HC-BB10-I-PT-F

1014417

<https://www.phoenixcontact.com/pc/products/1014417>



PE multiplier

PE multiplier - HC-B-3PE - 1644326

<https://www.phoenixcontact.com/pc/products/1644326>

PE multiplier, for 3 PE connections, for HC-B / HC-BB / HC-DD / HC-D40 / HC-D64 contact inserts



Crimping pliers

Crimping pliers - CRIMPFOX CENTRUS 6S - 1213144

<https://www.phoenixcontact.com/pc/products/1213144>

Crimping pliers, for uninsulated and insulated ferrules, DIN 46228 Part 1 and 4, from 0.14 mm² ... 6 mm², also for TWIN ferrules up to 2 x 4 mm², automatic cross section adjustment, lateral insertion, equipped with fall protection



Contact insert - HC-BB10-I-PT-F

1014417

<https://www.phoenixcontact.com/pc/products/1014417>

Crimping pliers

Crimping pliers - CRIMPFOX CENTRUS 10S - 1213154

<https://www.phoenixcontact.com/pc/products/1213154>



Crimping pliers, for uninsulated and insulated ferrules, DIN 46228 Part 1 and 4, from 0.14 mm² ... 10 mm², also for TWIN ferrules up to 2 x 4 mm², automatic cross section adjustment, lateral insertion, equipped with fall protection

Crimping pliers

Crimping pliers - CRIMPFOX 6 - 1212034

<https://www.phoenixcontact.com/pc/products/1212034>



Crimping pliers, for ferrules without insulating collar according to DIN 46228 Part 1 and ferrules with insulating collar according to DIN 46228 Part 4, 0.25 mm² ... 6.0 mm², lateral entry, trapezoidal crimp

Contact insert - HC-BB10-I-PT-F

1014417

<https://www.phoenixcontact.com/pc/products/1014417>



Crimping pliers

Crimping pliers - CRIMPFOX 10S - 1212045

<https://www.phoenixcontact.com/pc/products/1212045>



Crimping pliers, for ferrules without insulating collar according to DIN 46228 Part 1 and ferrules with insulating collar according to DIN 46228 Part 4, 0.14 mm² ... 10 mm², unlockable pressure lock, lateral entry

Phoenix Contact 2022 © - all rights reserved

<https://www.phoenixcontact.com>

PHOENIX CONTACT GmbH & Co. KG

Flachsmarktstraße 8

D-32825 Blomberg

+49 (0) 5235-3 00

info@phoenixcontact.com