

Protective cover - HC-B06-HCLWS-PLR-BK



1414634

<https://www.phoenixcontact.com/pc/products/1414634>

Please be informed that the data shown in this PDF document is generated from our Online Catalog. Please find the complete data in the user documentation. Our General Terms of Use for Downloads are valid.



Protective cover B6, with single locking latch, protective cover material: PA, height: 21.6 mm, seal: yes, diameter of retaining cord eyelet: 30 mm

Protective cover - HC-B06-HCLWS-PLR-BK



1414634

<https://www.phoenixcontact.com/pc/products/1414634>

Commercial Data

Item number	1414634
Packing unit	10 pc
Minimum order quantity	1 pc
Product Key	BF7AZC
Catalog Page	Page 654 (C-2-2019)
GTIN	4055626131184
Weight per Piece (including packing)	44.86 g
Weight per Piece (excluding packing)	43 g
Customs tariff number	85389099
Country of origin	PL

1414634

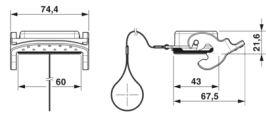
<https://www.phoenixcontact.com/pc/products/1414634>

Technical Data

Product properties

Type	B6
Product type	Protective cover
Type	for sleeve housing for single locking latch
Housing type	Protective cover
Seal present	yes
Locking type	with single locking latch

Dimensions

Dimensional drawing	
Width	43 mm
Height	21.6 mm
Length	60 mm
Diameter of retaining cord eyelet	30 mm

Material specifications

Color	black
Material	PA
Flammability rating according to UL 94	HB
Sealing material	NBR (profile gasket)
Material, protective cover	PA

Connector

Material	PA
Type of locking	with single locking latch
Material	PA

Mechanical properties

Mechanical data

Locking type	Latch
--------------	-------

Environmental and real-life conditions

Ambient conditions

Degree of protection	IP66
Ambient temperature (operation)	-20 °C ... 100 °C

Mounting

Protective cover - HC-B06-HCLWS-PLR-BK



1414634

<https://www.phoenixcontact.com/pc/products/1414634>

Assembly instructions

Plastic protective cover for short-term protection

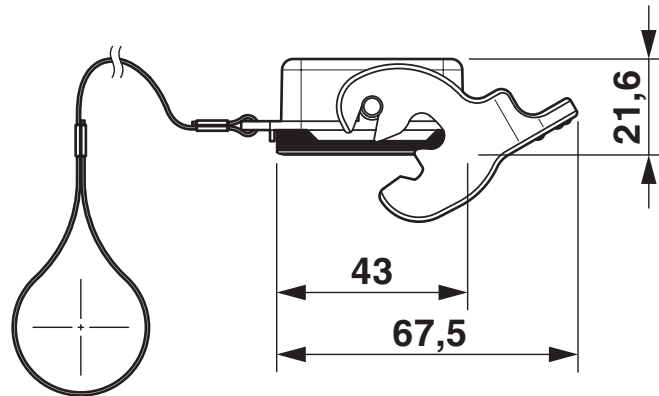
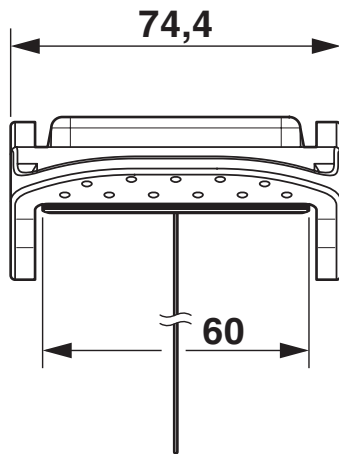
Protective cover - HC-B06-HCLWS-PLR-BK

1414634

<https://www.phoenixcontact.com/pc/products/1414634>

Drawings

Dimensional drawing



Dimensional drawing

Protective cover - HC-B06-HCLWS-PLR-BK



1414634

<https://www.phoenixcontact.com/pc/products/1414634>

Approvals



EAC

Approval ID: RU C-DE.AI30.B.01102

Protective cover - HC-B06-HCLWS-PLR-BK



1414634

<https://www.phoenixcontact.com/pc/products/1414634>

Classifications

ECLASS

ECLASS-9.0	27440208
ECLASS-10.0.1	27440208
ECLASS-11.0	27440208

ETIM

ETIM 8.0	EC002314
----------	----------

UNSPSC

UNSPSC 21.0	39121400
-------------	----------

Protective cover - HC-B06-HCLWS-PLR-BK



1414634

<https://www.phoenixcontact.com/pc/products/1414634>

Environmental Product Compliance

China RoHS	Environmentally friendly use period: unlimited = EFUP-e No hazardous substances above threshold values
------------	---

Phoenix Contact 2022 © - all rights reserved
<https://www.phoenixcontact.com>

PHOENIX CONTACT GmbH & Co. KG
Flachmarktstraße 8
D-32825 Blomberg
+49 (0) 5235-3 00
info@phoenixcontact.com