

Housing - HC-EVO-B16-BWD-PLRBK



1407648

<https://www.phoenixcontact.com/pc/products/1407648>

Please be informed that the data shown in this PDF document is generated from our Online Catalog. Please find the complete data in the user documentation. Our General Terms of Use for Downloads are valid.



Panel mounting base B16, with double locking latch, material: PA, height: 30.5 mm, cable gland: none, Standard, with flat gasket

Your advantages

- Lower costs than metal version
- Low weight
- Lower risk of condensation

Housing - HC-EVO-B16-BWD-PLRBK



1407648

<https://www.phoenixcontact.com/pc/products/1407648>

Commercial Data

Item number	1407648
Packing unit	1 pc
Minimum order quantity	1 pc
Product Key	BF7APL
Catalog Page	Page 622 (C-2-2019)
GTIN	4046356777117
Weight per Piece (including packing)	93.2 g
Weight per Piece (excluding packing)	92 g
Customs tariff number	85389099
Country of origin	PL

Housing - HC-EVO-B16-BWD-PLRBK



1407648

<https://www.phoenixcontact.com/pc/products/1407648>

Technical Data

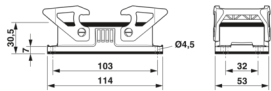
Notes

General	For contact inserts HC-B16, BB32, D40, DD72, HS6, HV6, M, K, HV06-I-PR, HV 6-E...C
---------	--

Product properties

Type	B16
Product type	Housing with locking latch
Application	Standard
Housing type	Panel mounting base
Locking type	with double locking latch
Pg screw connection	none

Dimensions

Dimensional drawing	
Width	53 mm
Height	30.5 mm
Length	114 mm
Hole diameter	4.5 mm

Installation dimensions

Width of the assembly cutout	35 mm
Length of the assembly cutout	86 mm

Material specifications

Color	black
Flammability rating according to UL 94	V0 (Housing) V0 (Interlock)
Sealing material	NBR (profile gasket) NBR (Flat gasket)
Locking latch material	PA
Impact strength	IK09
Housing material	PA

Ambient conditions

Degree of protection	IP66
Degree of protection	12 (UL 50e)
Impact strength	IK09
Ambient temperature (operation)	-40 °C ... 125 °C

Connector

Housing - HC-EVO-B16-BWD-PLRBK



1407648

<https://www.phoenixcontact.com/pc/products/1407648>

Application	Standard
Type of locking	with double locking latch
Housing material	PA
Application	Standard

Mechanical properties

Mechanical data

Locking type	Latch
--------------	-------

Mounting

Assembly instructions	Not for D series terminal adapters
	Not for HC-B 24-ADP-B..... adapter plates

Housing - HC-EVO-B16-BWD-PLRBK

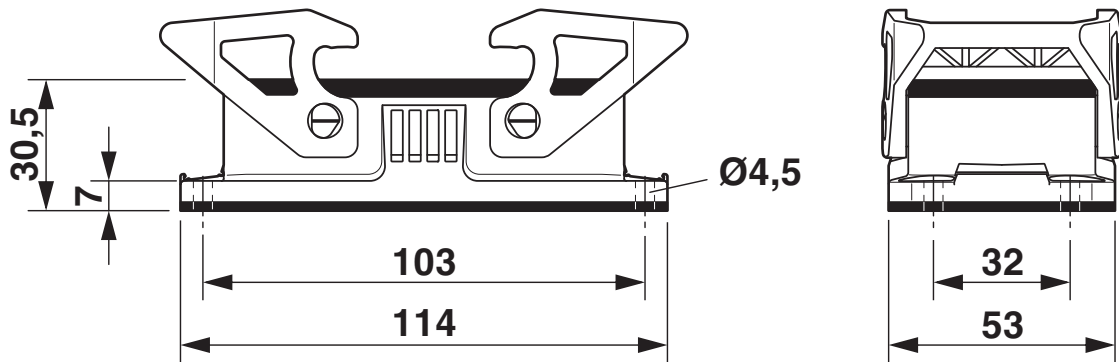


1407648

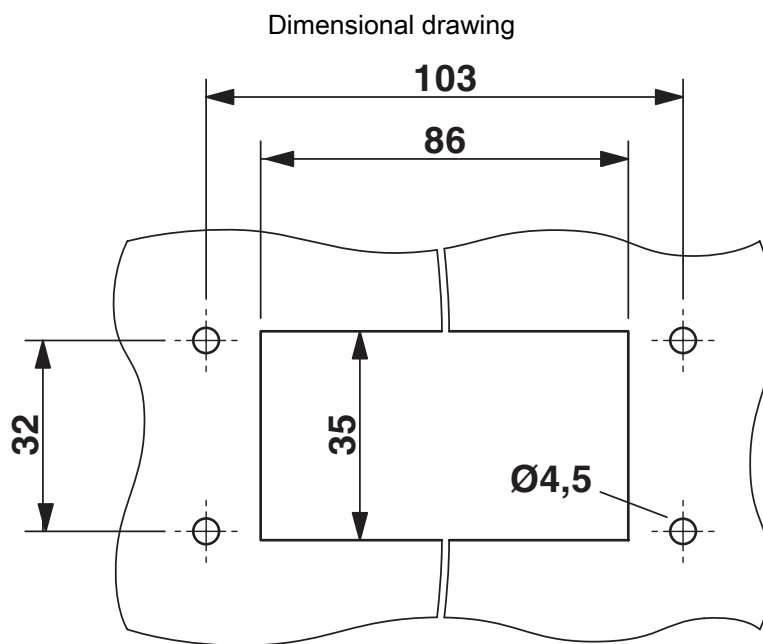
<https://www.phoenixcontact.com/pc/products/1407648>

Drawings

Dimensional drawing



Dimensional drawing



Mounting cutout

Housing - HC-EVO-B16-BWD-PLRBK



1407648

<https://www.phoenixcontact.com/pc/products/1407648>

Approvals

DNV

Approval ID: TAE000037S



cUL Recognized

Approval ID: E255026



UL Recognized

Approval ID: E255026



EAC

Approval ID: RU C-DE.AI30.B.01102



EAC

Approval ID: RU C-DE.BL08.B.00511

cULus Recognized

Housing - HC-EVO-B16-BWD-PLRBK



1407648

<https://www.phoenixcontact.com/pc/products/1407648>

Classifications

ECLASS

ECLASS-10.0.1	27440202
ECLASS-9.0	27440202
ECLASS-11.0	27440202

ETIM

ETIM 8.0	EC000437
----------	----------

UNSPSC

UNSPSC 21.0	31261500
-------------	----------

Housing - HC-EVO-B16-BWD-PLRBK



1407648

<https://www.phoenixcontact.com/pc/products/1407648>

Environmental Product Compliance

China RoHS	Environmentally friendly use period: unlimited = EFUP-e
	No hazardous substances above threshold values

Housing - HC-EVO-B16-BWD-PLRBK



1407648

<https://www.phoenixcontact.com/pc/products/1407648>

Accessories

Snap-in markers

Snap-in markers - US-EMP (20X9) - 0829439

<https://www.phoenixcontact.com/pc/products/0829439>

Snap-in markers, Card, white, unlabeled, can be labeled with: BLUEMARK ID COLOR, BLUEMARK ID, THERMOMARK PRIME, THERMOMARK CARD 2.0, THERMOMARK CARD, mounting type: snap in, lettering field size: 20 x 9 mm, Number of individual labels: 70



Profile gasket

Profile gasket - HC-B16-SP-RBK - 1407708

<https://www.phoenixcontact.com/pc/products/1407708>

Profile gasket for HEAVYCON EVO supporting base element type B16



Housing - HC-EVO-B16-BWD-PLRBK

1407648

<https://www.phoenixcontact.com/pc/products/1407648>



Flat gasket

Flat gasket - HC-B16-SG-RBK - 1407704

<https://www.phoenixcontact.com/pc/products/1407704>

Replacement flat gasket, for HEAVYCON EVO panel mounting base type B16



Housing brackets

Housing brackets - HC-B10-24-DL-PLBK - 1407696

<https://www.phoenixcontact.com/pc/products/1407696>

Replacement double locking latch for HEAVYCON EVO housing, HC-B10/HC-B16/HC-B24, PA



Phoenix Contact 2022 © - all rights reserved
<https://www.phoenixcontact.com>

PHOENIX CONTACT GmbH & Co. KG
Flachsmarktstraße 8
D-32825 Blomberg
+49 (0) 5235-3 00
info@phoenixcontact.com