

Ferrule - A 16 -12

3200425

<https://www.phoenixcontact.com/pc/products/3200425>



Please be informed that the data shown in this PDF document is generated from our Online Catalog. Please find the complete data in the user documentation. Our General Terms of Use for Downloads are valid.

Ferrule, length: 12 mm, color: silver



Your advantages

- The dimensions of the ferrules conform to DIN 46228-1
- The ferrules without plastic sleeve are made from soft tin-plated electrolytic copper

Ferrule - A 16 -12



3200425

<https://www.phoenixcontact.com/pc/products/3200425>

Commercial Data

Item number	3200425
Packing unit	100 pc
Minimum order quantity	100 pc
Sales Key	05
Product Key	BH3412
Catalog Page	Page 480 (C-3-2019)
GTIN	4017918094072
Weight per Piece (including packing)	0.434 g
Weight per Piece (excluding packing)	0.4 g
Customs tariff number	85369010
Country of origin	DE

Ferrule - A 16 -12

3200425

<https://www.phoenixcontact.com/pc/products/3200425>

Technical Data

Product properties

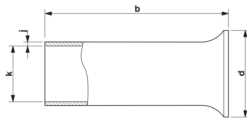
Product type	Ferrule
Conductor category	Stranded conductors, class 2, 5, 6 / B, C, K, M

Connection data

Conductor connection

Conductor cross section flexible max.	16 mm ²
Conductor cross section AWG max.	6
Stripping length	12 mm

Dimensions

Dimensional drawing	
Length	12 mm
Maximum stripping length	12 mm
Ferrule diameter	5.8 mm
Sleeve wall thickness	0.2 mm
Inner dimensions of the insulating collar	7.5 mm

Material specifications

Color	silver
Material	CU-DHP
Coating	tin-plated (galvanic)

Connector

Material	CU-DHP
Material	CU-DHP

Environmental and real-life conditions

Ambient conditions

Permanent temperature	105 °C
Short-term temperature	120 °C

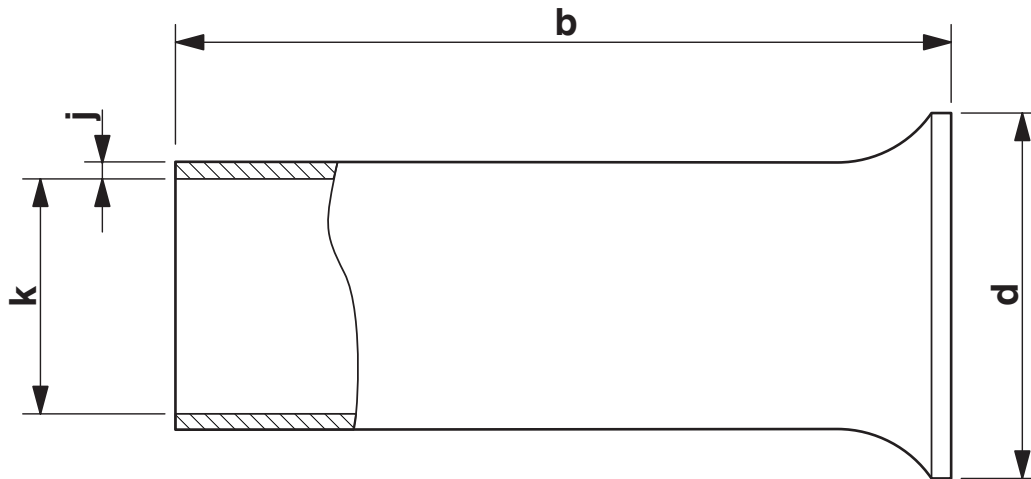
Ferrule - A 16 -12

3200425

<https://www.phoenixcontact.com/pc/products/3200425>

Drawings

Dimensional drawing



Sleeve length (b), insulating collar inner dimension (d), sleeve diameter (k), sleeve wall thickness (j)


Ferrule - A 16 -12




3200425


<https://www.phoenixcontact.com/pc/products/3200425>

Approvals


 **CSA**
Approval ID: 247397

 **UL Listed**
Approval ID: E488001

	Nominal Voltage U_N	Nominal Current I_N	Cross Section AWG	Cross Section mm^2
			-	-

 **cUL Listed**
Approval ID: E488001

	Nominal Voltage U_N	Nominal Current I_N	Cross Section AWG	Cross Section mm^2
			-	-

 **CSAus**
Approval ID: 247397

cULus Listed

cCSAus

Ferrule - A 16 -12

3200425

<https://www.phoenixcontact.com/pc/products/3200425>



Classifications

ECLASS

ECLASS-9.0	27400201
ECLASS-10.0.1	27400201
ECLASS-11.0	27400201

ETIM

ETIM 8.0	EC000005
----------	----------

UNSPSC

UNSPSC 21.0	27121700
-------------	----------

Ferrule - A 16 -12

3200425

<https://www.phoenixcontact.com/pc/products/3200425>



Environmental Product Compliance

China RoHS	Environmentally friendly use period: unlimited = EFUP-e
	No hazardous substances above threshold values

Ferrule - A 16 -12

3200425

<https://www.phoenixcontact.com/pc/products/3200425>



Accessories

Crimping pliers

Crimping pliers - CRIMPFOX 25R - 1212039

<https://www.phoenixcontact.com/pc/products/1212039>



Crimping pliers, for ferrules without insulating collar according to DIN 46228 Part 1 and ferrules with insulating collar according to DIN 46228 Part 4, 10 mm² ... 25 mm², lateral entry, WM crimp

Crimping pliers

Crimping pliers - CRIMPFOX 16 S - 1207983

<https://www.phoenixcontact.com/pc/products/1207983>



Crimping pliers for ferrules up to 16 mm²

Phoenix Contact 2022 © - all rights reserved

<https://www.phoenixcontact.com>

PHOENIX CONTACT GmbH & Co. KG

Flachsmarktstraße 8

D-32825 Blomberg

+49 (0) 5235-3 00

info@phoenixcontact.com