

Front adapters - FLKM 14-PA-AB/1756/IN/EXTC



2302874

<https://www.phoenixcontact.com/pc/products/2302874>

Please be informed that the data shown in this PDF document is generated from our Online Catalog. Please find the complete data in the user documentation. Our General Terms of Use for Downloads are valid.



VARIOFACE front adapter, for Allen Bradley ControlLogix and Honeywell PlantScape, input card IA 16, IB 16, IC 16, IN 16.

The front adapters are pushed into the high 1756-TBE hoods (not supplied as standard).

Commercial Data

Item number	2302874
Packing unit	1 pc
Minimum order quantity	1 pc
Note	Made to Order (non-returnable)
Product Key	CK2111
Catalog Page	Page 471 (C-5-2019)
GTIN	4017918917531
Weight per Piece (including packing)	59.5 g
Weight per Piece (excluding packing)	31.5 g
Customs tariff number	85369010
Country of origin	DE

Technical Data

Notes

Notes on operation	Do not connect adjacent channels to SELV/ PELV and voltages dangerous to the touch.
Notes on operation	No additional touch protection is required when using a SELV/PELV voltage (≤ 25 V AC or 60 V DC).
Notes on operation	At least one functional insulation against adjacent modules is complied with (in the support rail direction). If the application has stricter requirements for the insulation (basic insulation or reinforced insulation), they must be realized by applying suitable measures (e. g. partition plates).

Product properties

Product type	Front adapter
Insulation characteristics	
Overvoltage category	II
Pollution degree	2
Insulation	Functional insulation

Electrical properties

Max. permissible operating voltage	25 V AC
	60 V DC
Max. permissible current	1 A (per path)
Nominal operating mode	100% operating factor
Rated insulation voltage	63 V
Rated surge voltage	0.6 kV

Supported controller ALLEN-BRADLEY ControlLogix

Suitable I/O card	1756-IN16
	1756-IA16
	1756-IB16
	1756-IC16

Supported controller HONEYWELL Experion PKS C200

Suitable I/O card	TC-IDA 161
-------------------	------------

Connection data

Field level

Connection method	IDC/FLK pin strip
Number of connections	2
Number of positions	14
Pitch	2.54 mm

Supply

Connection method	Screw connection
-------------------	------------------

Front adapters - FLKM 14-PA-AB/1756/IN/EXTC



2302874

<https://www.phoenixcontact.com/pc/products/2302874>

Conductor cross section solid	0.14 mm ² ... 1.5 mm ²
Conductor cross section flexible	0.14 mm ² ... 1.5 mm ²
Conductor cross section AWG	28 ... 16

Environmental and real-life conditions

Ambient conditions

Degree of protection	IP00
Degree of protection Installation location	≥ IP54 (Installation location)
Ambient temperature (operation)	-20 °C ... 50 °C
Ambient temperature (storage/transport)	-20 °C ... 70 °C
Altitude	≤ 2000 m

Standards and regulations

Air clearances and creepage distances between the power circuits

Standards/regulations	DIN EN 50178
-----------------------	--------------

Mounting

Assembly instructions	in rows with zero spacing
Mounting position	any

Front adapters - FLKM 14-PA-AB/1756/IN/EXTC

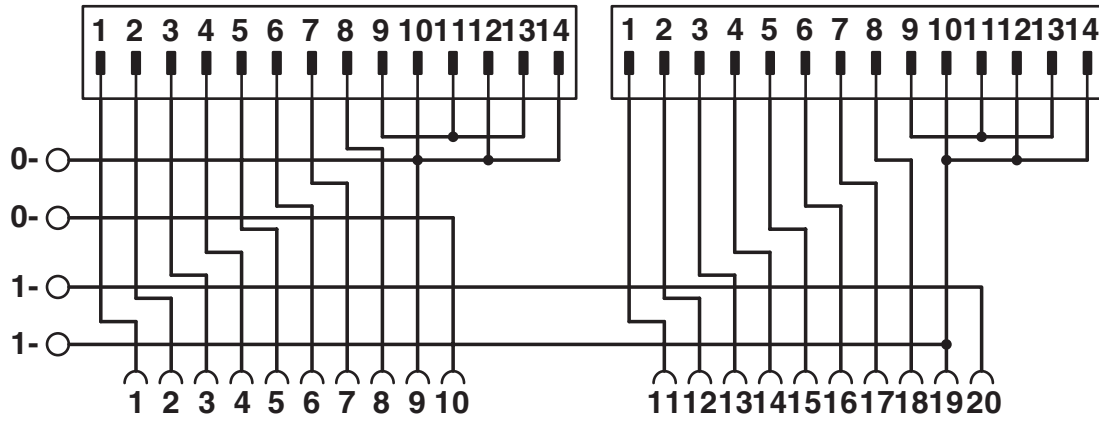


2302874

<https://www.phoenixcontact.com/pc/products/2302874>

Drawings

Circuit diagram




Front adapters - FLKM 14-PA-AB/1756/IN/EXTC



2302874

<https://www.phoenixcontact.com/pc/products/2302874>

Approvals

 cUL Recognized Approval ID: FILE E 238705				
	Nominal Voltage U_N	Nominal Current I_N	Cross Section AWG	Cross Section mm^2
	125 V	1 A	-	-

 UL Recognized Approval ID: FILE E 238705				
	Nominal Voltage U_N	Nominal Current I_N	Cross Section AWG	Cross Section mm^2
	125 V	1 A	-	-

cULus Recognized

Front adapters - FLKM 14-PA-AB/1756/IN/EXTC



2302874

<https://www.phoenixcontact.com/pc/products/2302874>

Classifications

ECLASS

ECLASS-9.0	27242292
ECLASS-10.0.1	27242292
ECLASS-11.0	27242292

ETIM

ETIM 8.0	EC002584
----------	----------

UNSPSC

UNSPSC 21.0	32151600
-------------	----------

Front adapters - FLKM 14-PA-AB/1756/IN/EXTC



2302874

<https://www.phoenixcontact.com/pc/products/2302874>

Environmental Product Compliance

REACH SVHC	Lead 7439-92-1
China RoHS	Environmentally Friendly Use Period = 50 years
	For information on hazardous substances, refer to the manufacturer's declaration available under "Downloads"

Front adapters - FLKM 14-PA-AB/1756/IN/EXTC



2302874

<https://www.phoenixcontact.com/pc/products/2302874>

Accessories

Cable

Cable - FLK 14/EZ-DR/ 30/KONFEK - 2295729

<https://www.phoenixcontact.com/pc/products/2295729>



Round cable set; connection 1: IDC/FLK socket strip (1x 14-position); connection 2: IDC/FLK socket strip (1x 14-position); cable length: 0.3 m

Cable

Cable - FLK 14/EZ-DR/ 50/KONFEK - 2288901

<https://www.phoenixcontact.com/pc/products/2288901>



Round cable set; connection 1: IDC/FLK socket strip (1x 14-position); connection 2: IDC/FLK socket strip (1x 14-position); cable length: 0.5 m

Front adapters - FLKM 14-PA-AB/1756/IN/EXTC

2302874

<https://www.phoenixcontact.com/pc/products/2302874>

Cable

Cable - FLK 14/EZ-DR/ 100/KONFEK - 2288914

<https://www.phoenixcontact.com/pc/products/2288914>



Round cable set; connection 1: IDC/FLK socket strip (1x 14-position); connection 2: IDC/FLK socket strip (1x 14-position); cable length: 1 m

Cable

Cable - FLK 14/EZ-DR/ 150/KONFEK - 2288927

<https://www.phoenixcontact.com/pc/products/2288927>



Round cable set; connection 1: IDC/FLK socket strip (1x 14-position); connection 2: IDC/FLK socket strip (1x 14-position); cable length: 1.5 m

Front adapters - FLKM 14-PA-AB/1756/IN/EXTC

2302874

<https://www.phoenixcontact.com/pc/products/2302874>

Cable

Cable - FLK 14/EZ-DR/ 200/KONFEK - 2288930

<https://www.phoenixcontact.com/pc/products/2288930>



Round cable set; connection 1: IDC/FLK socket strip (1x 14-position); connection 2: IDC/FLK socket strip (1x 14-position); cable length: 2 m

Cable

Cable - FLK 14/EZ-DR/ 250/KONFEK - 2288943

<https://www.phoenixcontact.com/pc/products/2288943>



Round cable set; connection 1: IDC/FLK socket strip (1x 14-position); connection 2: IDC/FLK socket strip (1x 14-position); cable length: 2.5 m

Front adapters - FLKM 14-PA-AB/1756/IN/EXTC



2302874

<https://www.phoenixcontact.com/pc/products/2302874>

Cable

Cable - FLK 14/EZ-DR/ 300/KONFEK - 2288956

<https://www.phoenixcontact.com/pc/products/2288956>



Round cable set; connection 1: IDC/FLK socket strip (1x 14-position); connection 2: IDC/FLK socket strip (1x 14-position); cable length: 3 m

Cable

Cable - FLK 14/EZ-DR/ 350/KONFEK - 2288969

<https://www.phoenixcontact.com/pc/products/2288969>



Round cable set; connection 1: IDC/FLK socket strip (1x 14-position); connection 2: IDC/FLK socket strip (1x 14-position); cable length: 3.5 m

Front adapters - FLKM 14-PA-AB/1756/IN/EXTC



2302874

<https://www.phoenixcontact.com/pc/products/2302874>

Cable

Cable - FLK 14/EZ-DR/ 400/KONFEK - 2288972

<https://www.phoenixcontact.com/pc/products/2288972>



Round cable set; connection 1: IDC/FLK socket strip (1x 14-position); connection 2: IDC/FLK socket strip (1x 14-position); cable length: 4 m

Cable

Cable - FLK 14/EZ-DR/ 500/KONFEK - 2290834

<https://www.phoenixcontact.com/pc/products/2290834>



Round cable set; connection 1: IDC/FLK socket strip (1x 14-position); connection 2: IDC/FLK socket strip (1x 14-position); cable length: 5 m

Front adapters - FLKM 14-PA-AB/1756/IN/EXTC



2302874

<https://www.phoenixcontact.com/pc/products/2302874>

Cable

Cable - FLK 14/EZ-DR/ 600/KONFEK - 2290863

<https://www.phoenixcontact.com/pc/products/2290863>



Round cable set; connection 1: IDC/FLK socket strip (1x 14-position); connection 2: IDC/FLK socket strip (1x 14-position); cable length: 6 m

Cable

Cable - FLK 14/EZ-DR/ 800/KONFEK - 2299563

<https://www.phoenixcontact.com/pc/products/2299563>



Round cable set; connection 1: IDC/FLK socket strip (1x 14-position); connection 2: IDC/FLK socket strip (1x 14-position); cable length: 8 m

Front adapters - FLKM 14-PA-AB/1756/IN/EXTC

2302874

<https://www.phoenixcontact.com/pc/products/2302874>

Cable

Cable - FLK 14/EZ-DR/1000/KONFEK - 2299576

<https://www.phoenixcontact.com/pc/products/2299576>



Round cable set; connection 1: IDC/FLK socket strip (1x 14-position); connection 2: IDC/FLK socket strip (1x 14-position); cable length: 10 m

Cable

Cable - FLK 14/EZ-DR/HF/ 50/KONFEK - 2305952

<https://www.phoenixcontact.com/pc/products/2305952>



Assembled, halogen-free round cable; connection 1: IDC/FLK socket strip (1x 14-position); connection 2: IDC/FLK socket strip (1x 14-position); cable length: 0.5 m

Front adapters - FLKM 14-PA-AB/1756/IN/EXTC

2302874

<https://www.phoenixcontact.com/pc/products/2302874>

Cable

Cable - FLK 14/EZ-DR/HF/ 100/KONFEK - 2305965

<https://www.phoenixcontact.com/pc/products/2305965>



Assembled, halogen-free round cable; connection 1: IDC/FLK socket strip (1x 14-position); connection 2: IDC/FLK socket strip (1x 14-position); cable length: 1 m

Cable

Cable - FLK 14/EZ-DR/HF/ 150/KONFEK - 2305978

<https://www.phoenixcontact.com/pc/products/2305978>



Assembled, halogen-free round cable; connection 1: IDC/FLK socket strip (1x 14-position); connection 2: IDC/FLK socket strip (1x 14-position); cable length: 1.5 m

Front adapters - FLKM 14-PA-AB/1756/IN/EXTC

2302874

<https://www.phoenixcontact.com/pc/products/2302874>

Cable

Cable - FLK 14/EZ-DR/HF/ 200/KONFEK - 2305981

<https://www.phoenixcontact.com/pc/products/2305981>



Assembled, halogen-free round cable; connection 1: IDC/FLK socket strip (1x 14-position); connection 2: IDC/FLK socket strip (1x 14-position); cable length: 2 m

Cable

Cable - FLK 14/EZ-DR/HF/ 250/KONFEK - 2305994

<https://www.phoenixcontact.com/pc/products/2305994>



Assembled, halogen-free round cable; connection 1: IDC/FLK socket strip (1x 14-position); connection 2: IDC/FLK socket strip (1x 14-position); cable length: 2.5 m

Front adapters - FLKM 14-PA-AB/1756/IN/EXTC



2302874

<https://www.phoenixcontact.com/pc/products/2302874>

Cable

Cable - FLK 14/EZ-DR/HF/ 300/KONFEK - 2304759

<https://www.phoenixcontact.com/pc/products/2304759>



Assembled, halogen-free round cable; connection 1: IDC/FLK socket strip (1x 14-position); connection 2: IDC/FLK socket strip (1x 14-position); cable length: 3 m

Cable

Cable - FLK 14/EZ-DR/HF/ 400/KONFEK - 2304762

<https://www.phoenixcontact.com/pc/products/2304762>



Assembled, halogen-free round cable; connection 1: IDC/FLK socket strip (1x 14-position); connection 2: IDC/FLK socket strip (1x 14-position); cable length: 4 m

Front adapters - FLKM 14-PA-AB/1756/IN/EXTC



2302874

<https://www.phoenixcontact.com/pc/products/2302874>

Cable

Cable - FLK 14/EZ-DR/HF/ 500/KONFEK - 2304717

<https://www.phoenixcontact.com/pc/products/2304717>



Assembled, halogen-free round cable; connection 1: IDC/FLK socket strip (1x 14-position); connection 2: IDC/FLK socket strip (1x 14-position); cable length: 5 m

Cable

Cable - FLK 14/EZ-DR/HF/ 600/KONFEK - 2306003

<https://www.phoenixcontact.com/pc/products/2306003>



Assembled, halogen-free round cable; connection 1: IDC/FLK socket strip (1x 14-position); connection 2: IDC/FLK socket strip (1x 14-position); cable length: 6 m

Front adapters - FLKM 14-PA-AB/1756/IN/EXTC

2302874

<https://www.phoenixcontact.com/pc/products/2302874>

Cable

Cable - FLK 14-EZ-DR-HF/... - 2314040

<https://www.phoenixcontact.com/pc/products/2314040>



Assembled, halogen-free round cable; connection 1: IDC/FLK socket strip (1x 14-position); connection 2: IDC/FLK socket strip (1x 14-position); cable length: variable

Cable

Cable - FLK 14/EZ-DR/ 50/KONFEK/S - 2296977

<https://www.phoenixcontact.com/pc/products/2296977>



Assembled shielded round cable; connection 1: IDC/FLK socket strip (1x 14-position); connection 2: IDC/FLK socket strip (1x 14-position) (The braided shield is routed to a separate cable end.); cable length: 0.5 m

Front adapters - FLKM 14-PA-AB/1756/IN/EXTC



2302874

<https://www.phoenixcontact.com/pc/products/2302874>

Cable

Cable - FLK 14/EZ-DR/ 100/KONFEK/S - 2296980

<https://www.phoenixcontact.com/pc/products/2296980>



Assembled shielded round cable; connection 1: IDC/FLK socket strip (1x 14-position); connection 2: IDC/FLK socket strip (1x 14-position) (The braided shield is routed to a separate cable end.); cable length: 1 m

Cable

Cable - FLK 14/EZ-DR/ 120/KONFEK/S - 2299071

<https://www.phoenixcontact.com/pc/products/2299071>



Assembled shielded round cable; connection 1: IDC/FLK socket strip (1x 14-position); connection 2: IDC/FLK socket strip (1x 14-position) (The braided shield is routed to a separate cable end.); cable length: 1.2 m

Front adapters - FLKM 14-PA-AB/1756/IN/EXTC



2302874

<https://www.phoenixcontact.com/pc/products/2302874>

Cable

Cable - FLK 14/EZ-DR/ 150/KONFEK/S - 2296993

<https://www.phoenixcontact.com/pc/products/2296993>



Assembled shielded round cable; connection 1: IDC/FLK socket strip (1x 14-position); connection 2: IDC/FLK socket strip (1x 14-position) (The braided shield is routed to a separate cable end.); cable length: 1.5 m

Cable

Cable - FLK 14/EZ-DR/ 180/KONFEK/S - 2299084

<https://www.phoenixcontact.com/pc/products/2299084>



Assembled shielded round cable; connection 1: IDC/FLK socket strip (1x 14-position); connection 2: IDC/FLK socket strip (1x 14-position) (The braided shield is routed to a separate cable end.); cable length: 1.8 m

Front adapters - FLKM 14-PA-AB/1756/IN/EXTC



2302874

<https://www.phoenixcontact.com/pc/products/2302874>

Cable

Cable - FLK 14/EZ-DR/ 200/KONFEK/S - 2297002

<https://www.phoenixcontact.com/pc/products/2297002>



Assembled shielded round cable; connection 1: IDC/FLK socket strip (1x 14-position); connection 2: IDC/FLK socket strip (1x 14-position) (The braided shield is routed to a separate cable end.); cable length: 2 m

Cable

Cable - FLK 14/EZ-DR/ 300/KONFEK/S - 2299013

<https://www.phoenixcontact.com/pc/products/2299013>



Assembled shielded round cable; connection 1: IDC/FLK socket strip (1x 14-position); connection 2: IDC/FLK socket strip (1x 14-position) (The braided shield is routed to a separate cable end.); cable length: 3 m

Front adapters - FLKM 14-PA-AB/1756/IN/EXTC



2302874

<https://www.phoenixcontact.com/pc/products/2302874>

Cable

Cable - FLK 14/EZ-DR/ 400/KONFEK/S - 2299026

<https://www.phoenixcontact.com/pc/products/2299026>



Assembled shielded round cable; connection 1: IDC/FLK socket strip (1x 14-position); connection 2: IDC/FLK socket strip (1x 14-position) (The braided shield is routed to a separate cable end.); cable length: 4 m

Cable

Cable - FLK 14/EZ-DR/ 600/KONFEK/S - 2299039

<https://www.phoenixcontact.com/pc/products/2299039>



Assembled shielded round cable; connection 1: IDC/FLK socket strip (1x 14-position); connection 2: IDC/FLK socket strip (1x 14-position) (The braided shield is routed to a separate cable end.); cable length: 6 m

Front adapters - FLKM 14-PA-AB/1756/IN/EXTC



2302874

<https://www.phoenixcontact.com/pc/products/2302874>

Cable

Cable - FLK 14/EZ-DR/ 800/KONFEK/S - 2299042

<https://www.phoenixcontact.com/pc/products/2299042>



Assembled shielded round cable; connection 1: IDC/FLK socket strip (1x 14-position); connection 2: IDC/FLK socket strip (1x 14-position) (The braided shield is routed to a separate cable end.); cable length: 8 m

Cable

Cable - FLK 14/EZ-DR/1000/KONFEK/S - 2299055

<https://www.phoenixcontact.com/pc/products/2299055>



Assembled shielded round cable; connection 1: IDC/FLK socket strip (1x 14-position); connection 2: IDC/FLK socket strip (1x 14-position) (The braided shield is routed to a separate cable end.); cable length: 10 m

Phoenix Contact 2022 © - all rights reserved
<https://www.phoenixcontact.com>

PHOENIX CONTACT GmbH & Co. KG
Flachsmarktstraße 8
D-32825 Blomberg
+49 (0) 5235-3 00
info@phoenixcontact.com