

# Front adapters - FLKM 14-PA-AB/1756/EXTC



2302861

<https://www.phoenixcontact.com/pc/products/2302861>

Please be informed that the data shown in this PDF document is generated from our Online Catalog. Please find the complete data in the user documentation. Our General Terms of Use for Downloads are valid.



VARIOFACE front adapters, for Allen Bradley ControlLogix and Honeywell PlantScape, max. 2 x 8 channels can be connected.

The front adapters are pushed into the high 1756-TBE hoods (not supplied as standard).

## Commercial Data

Item number	2302861
Packing unit	1 pc
Minimum order quantity	1 pc
Note	Made to Order (non-returnable)
Product Key	CK2111
Catalog Page	Page 471 (C-5-2019)
GTIN	4017918917524
Weight per Piece (including packing)	60 g
Weight per Piece (excluding packing)	32 g
Customs tariff number	85369010
Country of origin	DE

# Front adapters - FLKM 14-PA-AB/1756/EXTC



2302861

<https://www.phoenixcontact.com/pc/products/2302861>

## Technical Data

### Notes

Notes on operation	Do not connect adjacent channels to SELV/ PELV and voltages dangerous to the touch.
Notes on operation	No additional touch protection is required when using a SELV/PELV voltage ( $\leq 25$ V AC or 60 V DC).
Notes on operation	At least one functional insulation against adjacent modules is complied with (in the support rail direction). If the application has stricter requirements for the insulation (basic insulation or reinforced insulation), they must be realized by applying suitable measures (e. g. partition plates).

### Product properties

Product type	Front adapter
Insulation characteristics	
Overvoltage category	II
Pollution degree	2
Insulation	Functional insulation

### Electrical properties

Max. permissible operating voltage	25 V AC
	60 V DC
Max. permissible current	1 A (per path)
	8 A (per connection, supply via separate power supply)
Nominal operating mode	100% operating factor
Rated insulation voltage	63 V
Rated surge voltage	0.6 kV

### Supported controller ALLEN-BRADLEY ControlLogix

Suitable I/O card	1756-IA8D
	1756-OB16E
	1756-IF6I
	1756-IR6I
	1756-IT6I
	1756-OF4
	1756-OF6CI
	1756-OF6VI
	1756-OF8
	1756-PLS
	1756-IF6CIS
	1756-OF8H

### Supported controller HONEYWELL Experion PKS C200

TC-IDX 081

# Front adapters - FLKM 14-PA-AB/1756/EXTC



2302861

<https://www.phoenixcontact.com/pc/products/2302861>

Suitable I/O card	TC-IXR 061
	TC-IAH 061
	TC-OAH 061
	TC-OAV 061
	TC-OAV 081
	TC-IXL 061

## Connection data

### Field level

Connection method	IDC/FLK pin strip
Number of connections	2
Number of positions	14
Pitch	2.54 mm

### Supply

Connection method	Screw connection
Conductor cross section solid	0.14 mm <sup>2</sup> ... 1.5 mm <sup>2</sup>
Conductor cross section flexible	0.14 mm <sup>2</sup> ... 1.5 mm <sup>2</sup>
Conductor cross section AWG	28 ... 16

## Environmental and real-life conditions

### Ambient conditions

Degree of protection	IP00
Degree of protection Installation location	≥ IP54 (Installation location)
Ambient temperature (operation)	-20 °C ... 50 °C
Ambient temperature (storage/transport)	-20 °C ... 70 °C
Altitude	≤ 2000 m

## Standards and regulations

### Air clearances and creepage distances between the power circuits

Standards/regulations	DIN EN 50178
-----------------------	--------------

## Mounting

Assembly instructions	in rows with zero spacing
Mounting position	any

# Front adapters - FLKM 14-PA-AB/1756/EXTC

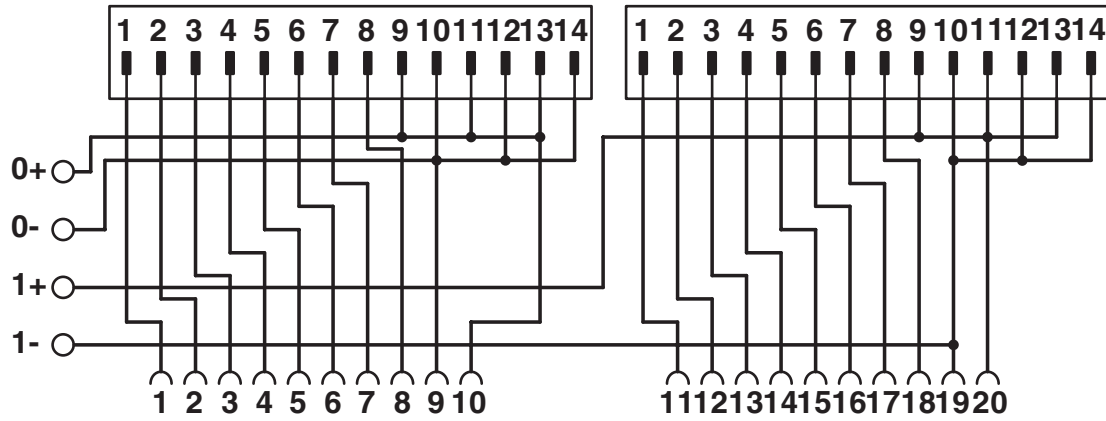


2302861

<https://www.phoenixcontact.com/pc/products/2302861>

## Drawings

Circuit diagram




# Front adapters - FLKM 14-PA-AB/1756/EXTC



2302861

<https://www.phoenixcontact.com/pc/products/2302861>

## Approvals

 <b>cUL Recognized</b> Approval ID: FILE E 238705				
	Nominal Voltage $U_N$	Nominal Current $I_N$	Cross Section AWG	Cross Section $\text{mm}^2$
	125 V	1 A	-	-

 <b>UL Recognized</b> Approval ID: FILE E 238705				
	Nominal Voltage $U_N$	Nominal Current $I_N$	Cross Section AWG	Cross Section $\text{mm}^2$
	125 V	1 A	-	-

**cULus Recognized**

# Front adapters - FLKM 14-PA-AB/1756/EXTC



2302861

<https://www.phoenixcontact.com/pc/products/2302861>

## Classifications

### ECLASS

ECLASS-9.0	27242292
ECLASS-10.0.1	27242292
ECLASS-11.0	27242292

### ETIM

ETIM 8.0	EC002584
----------	----------

### UNSPSC

UNSPSC 21.0	32151600
-------------	----------

# Front adapters - FLKM 14-PA-AB/1756/EXTC



2302861

<https://www.phoenixcontact.com/pc/products/2302861>

## Environmental Product Compliance

REACH SVHC	Lead 7439-92-1
China RoHS	Environmentally Friendly Use Period = 50 years
	For information on hazardous substances, refer to the manufacturer's declaration available under "Downloads"

# Front adapters - FLKM 14-PA-AB/1756/EXTC



2302861

<https://www.phoenixcontact.com/pc/products/2302861>

## Accessories

### Cable

Cable - FLK 14/EZ-DR/ 30/KONFEK - 2295729

<https://www.phoenixcontact.com/pc/products/2295729>



Round cable set; connection 1: IDC/FLK socket strip (1x 14-position); connection 2: IDC/FLK socket strip (1x 14-position); cable length: 0.3 m

### Cable

Cable - FLK 14/EZ-DR/ 50/KONFEK - 2288901

<https://www.phoenixcontact.com/pc/products/2288901>



Round cable set; connection 1: IDC/FLK socket strip (1x 14-position); connection 2: IDC/FLK socket strip (1x 14-position); cable length: 0.5 m



# Front adapters - FLKM 14-PA-AB/1756/EXTC

2302861

<https://www.phoenixcontact.com/pc/products/2302861>

## Cable

Cable - FLK 14/EZ-DR/ 100/KONFEK - 2288914

<https://www.phoenixcontact.com/pc/products/2288914>



Round cable set; connection 1: IDC/FLK socket strip (1x 14-position); connection 2: IDC/FLK socket strip (1x 14-position); cable length: 1 m

---

## Cable

Cable - FLK 14/EZ-DR/ 150/KONFEK - 2288927

<https://www.phoenixcontact.com/pc/products/2288927>



Round cable set; connection 1: IDC/FLK socket strip (1x 14-position); connection 2: IDC/FLK socket strip (1x 14-position); cable length: 1.5 m

# Front adapters - FLKM 14-PA-AB/1756/EXTC

2302861

<https://www.phoenixcontact.com/pc/products/2302861>

## Cable

Cable - FLK 14/EZ-DR/ 200/KONFEK - 2288930

<https://www.phoenixcontact.com/pc/products/2288930>



Round cable set; connection 1: IDC/FLK socket strip (1x 14-position); connection 2: IDC/FLK socket strip (1x 14-position); cable length: 2 m

---

## Cable

Cable - FLK 14/EZ-DR/ 250/KONFEK - 2288943

<https://www.phoenixcontact.com/pc/products/2288943>



Round cable set; connection 1: IDC/FLK socket strip (1x 14-position); connection 2: IDC/FLK socket strip (1x 14-position); cable length: 2.5 m

# Front adapters - FLKM 14-PA-AB/1756/EXTC

2302861

<https://www.phoenixcontact.com/pc/products/2302861>

## Cable

Cable - FLK 14/EZ-DR/ 300/KONFEK - 2288956

<https://www.phoenixcontact.com/pc/products/2288956>



Round cable set; connection 1: IDC/FLK socket strip (1x 14-position); connection 2: IDC/FLK socket strip (1x 14-position); cable length: 3 m

---

## Cable

Cable - FLK 14/EZ-DR/ 350/KONFEK - 2288969

<https://www.phoenixcontact.com/pc/products/2288969>



Round cable set; connection 1: IDC/FLK socket strip (1x 14-position); connection 2: IDC/FLK socket strip (1x 14-position); cable length: 3.5 m

# Front adapters - FLKM 14-PA-AB/1756/EXTC

2302861

<https://www.phoenixcontact.com/pc/products/2302861>

## Cable

Cable - FLK 14/EZ-DR/ 400/KONFEK - 2288972

<https://www.phoenixcontact.com/pc/products/2288972>



Round cable set; connection 1: IDC/FLK socket strip (1x 14-position); connection 2: IDC/FLK socket strip (1x 14-position); cable length: 4 m

---

## Cable

Cable - FLK 14/EZ-DR/ 500/KONFEK - 2290834

<https://www.phoenixcontact.com/pc/products/2290834>



Round cable set; connection 1: IDC/FLK socket strip (1x 14-position); connection 2: IDC/FLK socket strip (1x 14-position); cable length: 5 m

# Front adapters - FLKM 14-PA-AB/1756/EXTC

2302861

<https://www.phoenixcontact.com/pc/products/2302861>

## Cable

Cable - FLK 14/EZ-DR/ 600/KONFEK - 2290863

<https://www.phoenixcontact.com/pc/products/2290863>



Round cable set; connection 1: IDC/FLK socket strip (1x 14-position); connection 2: IDC/FLK socket strip (1x 14-position); cable length: 6 m

---

## Cable

Cable - FLK 14/EZ-DR/ 800/KONFEK - 2299563

<https://www.phoenixcontact.com/pc/products/2299563>



Round cable set; connection 1: IDC/FLK socket strip (1x 14-position); connection 2: IDC/FLK socket strip (1x 14-position); cable length: 8 m

# Front adapters - FLKM 14-PA-AB/1756/EXTC

2302861

<https://www.phoenixcontact.com/pc/products/2302861>

## Cable

Cable - FLK 14/EZ-DR/1000/KONFEK - 2299576

<https://www.phoenixcontact.com/pc/products/2299576>



Round cable set; connection 1: IDC/FLK socket strip (1x 14-position); connection 2: IDC/FLK socket strip (1x 14-position); cable length: 10 m

---

## Cable

Cable - FLK 14/EZ-DR/HF/ 50/KONFEK - 2305952

<https://www.phoenixcontact.com/pc/products/2305952>



Assembled, halogen-free round cable; connection 1: IDC/FLK socket strip (1x 14-position); connection 2: IDC/FLK socket strip (1x 14-position); cable length: 0.5 m

# Front adapters - FLKM 14-PA-AB/1756/EXTC

2302861

<https://www.phoenixcontact.com/pc/products/2302861>

## Cable

Cable - FLK 14/EZ-DR/HF/ 100/KONFEK - 2305965

<https://www.phoenixcontact.com/pc/products/2305965>



Assembled, halogen-free round cable; connection 1: IDC/FLK socket strip (1x 14-position); connection 2: IDC/FLK socket strip (1x 14-position); cable length: 1 m

---

## Cable

Cable - FLK 14/EZ-DR/HF/ 150/KONFEK - 2305978

<https://www.phoenixcontact.com/pc/products/2305978>



Assembled, halogen-free round cable; connection 1: IDC/FLK socket strip (1x 14-position); connection 2: IDC/FLK socket strip (1x 14-position); cable length: 1.5 m

# Front adapters - FLKM 14-PA-AB/1756/EXTC

2302861

<https://www.phoenixcontact.com/pc/products/2302861>

## Cable

Cable - FLK 14/EZ-DR/HF/ 200/KONFEK - 2305981

<https://www.phoenixcontact.com/pc/products/2305981>



Assembled, halogen-free round cable; connection 1: IDC/FLK socket strip (1x 14-position); connection 2: IDC/FLK socket strip (1x 14-position); cable length: 2 m

---

## Cable

Cable - FLK 14/EZ-DR/HF/ 250/KONFEK - 2305994

<https://www.phoenixcontact.com/pc/products/2305994>



Assembled, halogen-free round cable; connection 1: IDC/FLK socket strip (1x 14-position); connection 2: IDC/FLK socket strip (1x 14-position); cable length: 2.5 m



# Front adapters - FLKM 14-PA-AB/1756/EXTC

2302861

<https://www.phoenixcontact.com/pc/products/2302861>

## Cable

Cable - FLK 14/EZ-DR/HF/ 300/KONFEK - 2304759

<https://www.phoenixcontact.com/pc/products/2304759>



Assembled, halogen-free round cable; connection 1: IDC/FLK socket strip (1x 14-position); connection 2: IDC/FLK socket strip (1x 14-position); cable length: 3 m

---

## Cable

Cable - FLK 14/EZ-DR/HF/ 400/KONFEK - 2304762

<https://www.phoenixcontact.com/pc/products/2304762>



Assembled, halogen-free round cable; connection 1: IDC/FLK socket strip (1x 14-position); connection 2: IDC/FLK socket strip (1x 14-position); cable length: 4 m

# Front adapters - FLKM 14-PA-AB/1756/EXTC

2302861

<https://www.phoenixcontact.com/pc/products/2302861>

## Cable

Cable - FLK 14/EZ-DR/HF/ 500/KONFEK - 2304717

<https://www.phoenixcontact.com/pc/products/2304717>



Assembled, halogen-free round cable; connection 1: IDC/FLK socket strip (1x 14-position); connection 2: IDC/FLK socket strip (1x 14-position); cable length: 5 m

---

## Cable

Cable - FLK 14/EZ-DR/HF/ 600/KONFEK - 2306003

<https://www.phoenixcontact.com/pc/products/2306003>



Assembled, halogen-free round cable; connection 1: IDC/FLK socket strip (1x 14-position); connection 2: IDC/FLK socket strip (1x 14-position); cable length: 6 m

# Front adapters - FLKM 14-PA-AB/1756/EXTC

2302861

<https://www.phoenixcontact.com/pc/products/2302861>

## Cable

Cable - FLK 14-EZ-DR-HF/... - 2314040

<https://www.phoenixcontact.com/pc/products/2314040>



Assembled, halogen-free round cable; connection 1: IDC/FLK socket strip (1x 14-position); connection 2: IDC/FLK socket strip (1x 14-position); cable length: variable

---

## Cable

Cable - FLK 14/EZ-DR/ 50/KONFEK/S - 2296977

<https://www.phoenixcontact.com/pc/products/2296977>



Assembled shielded round cable; connection 1: IDC/FLK socket strip (1x 14-position); connection 2: IDC/FLK socket strip (1x 14-position) (The braided shield is routed to a separate cable end.); cable length: 0.5 m

# Front adapters - FLKM 14-PA-AB/1756/EXTC



2302861

<https://www.phoenixcontact.com/pc/products/2302861>

## Cable

Cable - FLK 14/EZ-DR/ 100/KONFEK/S - 2296980

<https://www.phoenixcontact.com/pc/products/2296980>



Assembled shielded round cable; connection 1: IDC/FLK socket strip (1x 14-position); connection 2: IDC/FLK socket strip (1x 14-position) (The braided shield is routed to a separate cable end.); cable length: 1 m

---

## Cable

Cable - FLK 14/EZ-DR/ 120/KONFEK/S - 2299071

<https://www.phoenixcontact.com/pc/products/2299071>



Assembled shielded round cable; connection 1: IDC/FLK socket strip (1x 14-position); connection 2: IDC/FLK socket strip (1x 14-position) (The braided shield is routed to a separate cable end.); cable length: 1.2 m

# Front adapters - FLKM 14-PA-AB/1756/EXTC



2302861

<https://www.phoenixcontact.com/pc/products/2302861>

## Cable

Cable - FLK 14/EZ-DR/ 150/KONFEK/S - 2296993

<https://www.phoenixcontact.com/pc/products/2296993>



Assembled shielded round cable; connection 1: IDC/FLK socket strip (1x 14-position); connection 2: IDC/FLK socket strip (1x 14-position) (The braided shield is routed to a separate cable end.); cable length: 1.5 m

---

## Cable

Cable - FLK 14/EZ-DR/ 180/KONFEK/S - 2299084

<https://www.phoenixcontact.com/pc/products/2299084>



Assembled shielded round cable; connection 1: IDC/FLK socket strip (1x 14-position); connection 2: IDC/FLK socket strip (1x 14-position) (The braided shield is routed to a separate cable end.); cable length: 1.8 m

# Front adapters - FLKM 14-PA-AB/1756/EXTC

2302861

<https://www.phoenixcontact.com/pc/products/2302861>

## Cable

Cable - FLK 14/EZ-DR/ 200/KONFEK/S - 2297002

<https://www.phoenixcontact.com/pc/products/2297002>



Assembled shielded round cable; connection 1: IDC/FLK socket strip (1x 14-position); connection 2: IDC/FLK socket strip (1x 14-position) (The braided shield is routed to a separate cable end.); cable length: 2 m

---

## Cable

Cable - FLK 14/EZ-DR/ 300/KONFEK/S - 2299013

<https://www.phoenixcontact.com/pc/products/2299013>



Assembled shielded round cable; connection 1: IDC/FLK socket strip (1x 14-position); connection 2: IDC/FLK socket strip (1x 14-position) (The braided shield is routed to a separate cable end.); cable length: 3 m

# Front adapters - FLKM 14-PA-AB/1756/EXTC



2302861

<https://www.phoenixcontact.com/pc/products/2302861>

## Cable

Cable - FLK 14/EZ-DR/ 400/KONFEK/S - 2299026

<https://www.phoenixcontact.com/pc/products/2299026>



Assembled shielded round cable; connection 1: IDC/FLK socket strip (1x 14-position); connection 2: IDC/FLK socket strip (1x 14-position) (The braided shield is routed to a separate cable end.); cable length: 4 m

---

## Cable

Cable - FLK 14/EZ-DR/ 600/KONFEK/S - 2299039

<https://www.phoenixcontact.com/pc/products/2299039>



Assembled shielded round cable; connection 1: IDC/FLK socket strip (1x 14-position); connection 2: IDC/FLK socket strip (1x 14-position) (The braided shield is routed to a separate cable end.); cable length: 6 m

# Front adapters - FLKM 14-PA-AB/1756/EXTC



2302861

<https://www.phoenixcontact.com/pc/products/2302861>

## Cable

Cable - FLK 14/EZ-DR/ 800/KONFEK/S - 2299042

<https://www.phoenixcontact.com/pc/products/2299042>



Assembled shielded round cable; connection 1: IDC/FLK socket strip (1x 14-position); connection 2: IDC/FLK socket strip (1x 14-position) (The braided shield is routed to a separate cable end.); cable length: 8 m

## Cable

Cable - FLK 14/EZ-DR/1000/KONFEK/S - 2299055

<https://www.phoenixcontact.com/pc/products/2299055>



Assembled shielded round cable; connection 1: IDC/FLK socket strip (1x 14-position); connection 2: IDC/FLK socket strip (1x 14-position) (The braided shield is routed to a separate cable end.); cable length: 10 m

Phoenix Contact 2022 © - all rights reserved  
<https://www.phoenixcontact.com>

PHOENIX CONTACT GmbH & Co. KG  
Flachsmarktstraße 8  
D-32825 Blomberg  
+49 (0) 5235-3 00  
[info@phoenixcontact.com](mailto:info@phoenixcontact.com)