

Ferrule - AI-TWIN 2X 2,5 -13 BU

3200878

<https://www.phoenixcontact.com/pc/products/3200878>



Please be informed that the data shown in this PDF document is generated from our Online Catalog. Please find the complete data in the user documentation. Our General Terms of Use for Downloads are valid.

Ferrule, sleeve length: 13 mm, length: 21.5 mm, color: blue



Your advantages

- Different versions of the individual TWIN ferrules can be selected for specific applications
- The TWIN ferrules provide a practical way of crimping two conductors in one ferrule
- These special ferrules allow chain bridges to be set up with ease

Ferrule - AI-TWIN 2X 2,5 -13 BU

3200878

<https://www.phoenixcontact.com/pc/products/3200878>



Commercial Data

Item number	3200878
Packing unit	100 pc
Minimum order quantity	100 pc
Sales Key	05
Product Key	BH3413
Catalog Page	Page 486 (C-3-2019)
GTIN	4017918094423
Weight per Piece (including packing)	0.364 g
Weight per Piece (excluding packing)	0.35 g
Customs tariff number	85369010
Country of origin	DE

Ferrule - AI-TWIN 2X 2,5 -13 BU

3200878

<https://www.phoenixcontact.com/pc/products/3200878>

Technical Data

Product properties

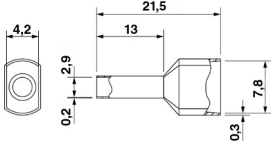
Product type	Ferrule
Conductor category	Stranded conductors, class 2, 5, 6 / B, C, K, M

Connection data

Conductor connection

Conductor cross section flexible max.	2.5 mm ²
Conductor cross section AWG max.	14
Stripping length	17 mm

Dimensions

Dimensional drawing	
Length	21.5 mm
Sleeve length	13 mm
Maximum stripping length	17 mm
Ferrule diameter	2.9 mm
Sleeve wall thickness	0.2 mm
Insulating collar thickness	0.3 mm
Inner dimensions of the insulating collar	4.2 mm

Material specifications

Color	blue
Material	CU-DHP
Flammability rating according to UL 94	HB
Coating	tin-plated (galvanic)
Components	free from silicone and halogen

Connector

Material	CU-DHP
Material	CU-DHP

Mechanical properties

Technical data

Sleeve length	13 mm
---------------	-------

Environmental and real-life conditions

Ferrule - AI-TWIN 2X 2,5 -13 BU



3200878

<https://www.phoenixcontact.com/pc/products/3200878>

Ambient conditions

Permanent temperature	105 °C (-40°C no load / 0°C dynamic load)
Short-term temperature	120 °C

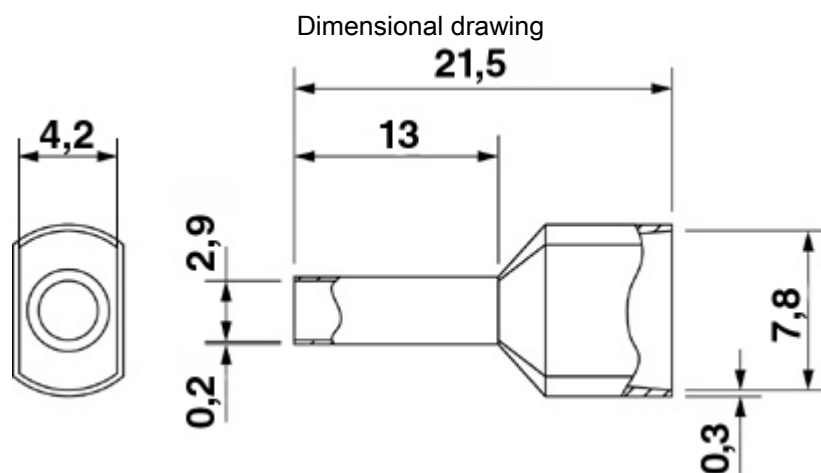
Ferrule - AI-TWIN 2X 2,5 -13 BU

3200878

<https://www.phoenixcontact.com/pc/products/3200878>



Drawings




Ferrule - AI-TWIN 2X 2,5 -13 BU



3200878

<https://www.phoenixcontact.com/pc/products/3200878>

Approvals


 **CSA**
Approval ID: 247397

 **UL Listed**
Approval ID: E488001

	Nominal Voltage U_N	Nominal Current I_N	Cross Section AWG	Cross Section mm^2
			-	-

 **cUL Listed**
Approval ID: E488001

	Nominal Voltage U_N	Nominal Current I_N	Cross Section AWG	Cross Section mm^2
			-	-

 **CSAus**
Approval ID: 247397

cULus Listed

cCSAus

Ferrule - AI-TWIN 2X 2,5 -13 BU



3200878

<https://www.phoenixcontact.com/pc/products/3200878>

Classifications

ECLASS

ECLASS-9.0	27400201
ECLASS-10.0.1	27400201
ECLASS-11.0	27400201

ETIM

ETIM 8.0	EC000005
----------	----------

UNSPSC

UNSPSC 21.0	27121700
-------------	----------

Ferrule - AI-TWIN 2X 2,5 -13 BU

3200878

<https://www.phoenixcontact.com/pc/products/3200878>



Environmental Product Compliance

China RoHS	Environmentally friendly use period: unlimited = EFUP-e
	No hazardous substances above threshold values

Ferrule - AI-TWIN 2X 2,5 -13 BU

3200878

<https://www.phoenixcontact.com/pc/products/3200878>



Accessories

Crimping pliers

Crimping pliers - CRIMPFOX CENTRUS 6S - 1213144

<https://www.phoenixcontact.com/pc/products/1213144>



Crimping pliers, for uninsulated and insulated ferrules, DIN 46228 Part 1 and 4, from 0.14 mm² ... 6 mm², also for TWIN ferrules up to 2 x 4 mm², automatic cross section adjustment, lateral insertion, equipped with fall protection

Crimping pliers

Crimping pliers - CRIMPFOX CENTRUS 10S - 1213154

<https://www.phoenixcontact.com/pc/products/1213154>



Crimping pliers, for uninsulated and insulated ferrules, DIN 46228 Part 1 and 4, from 0.14 mm² ... 10 mm², also for TWIN ferrules up to 2 x 4 mm², automatic cross section adjustment, lateral insertion, equipped with fall protection

Ferrule - AI-TWIN 2X 2,5 -13 BU

3200878

<https://www.phoenixcontact.com/pc/products/3200878>

Crimping pliers

Crimping pliers - CRIMPFOX CENTRUS 6H - 1213146

<https://www.phoenixcontact.com/pc/products/1213146>



Crimping pliers, for uninsulated and insulated ferrules, DIN 46228 Part 1 and 4, from 0.14 mm² ... 6 mm², also for TWIN ferrules up to 2 x 4 mm², automatic cross section adjustment, lateral insertion, equipped with fall protection

Crimping pliers

Crimping pliers - CRIMPFOX CENTRUS 10H - 1213156

<https://www.phoenixcontact.com/pc/products/1213156>



Crimping pliers, for uninsulated and insulated ferrules, DIN 46228 Part 1 and 4, from 0.14 mm² ... 10 mm², also for TWIN ferrules up to 2 x 4 mm², automatic cross section adjustment, lateral insertion, equipped with fall protection

Ferrule - AI-TWIN 2X 2,5 -13 BU

3200878

<https://www.phoenixcontact.com/pc/products/3200878>

Crimping pliers

Crimping pliers - CRIMPFOX 6-M - 1212720

<https://www.phoenixcontact.com/pc/products/1212720>



Crimping pliers, for ferrules without insulating collar according to DIN 46228 Part 1 and ferrules with insulating collar according to DIN 46228 Part 4, 0.25 mm² ... 6.0 mm², lateral entry, trapezoidal crimp

Crimping pliers

Crimping pliers - CRIMPFOX 6 - 1212034

<https://www.phoenixcontact.com/pc/products/1212034>



Crimping pliers, for ferrules without insulating collar according to DIN 46228 Part 1 and ferrules with insulating collar according to DIN 46228 Part 4, 0.25 mm² ... 6.0 mm², lateral entry, trapezoidal crimp

Ferrule - AI-TWIN 2X 2,5 -13 BU

3200878

<https://www.phoenixcontact.com/pc/products/3200878>

Crimping pliers

Crimping pliers - CRIMPFOX 6T - 1212037

<https://www.phoenixcontact.com/pc/products/1212037>



Crimping pliers, for ferrules without insulating collar according to DIN 46228 Part 1 and ferrules with insulating collar according to DIN 46228 Part 4, 0.25 mm² ... 6 mm², lateral entry, trapezoidal crimp

Crimping pliers

Crimping pliers - CRIMPFOX 6T-F - 1212038

<https://www.phoenixcontact.com/pc/products/1212038>



Crimping pliers, for ferrules without insulating collar according to DIN 46228 Part 1 and ferrules with insulating collar according to DIN 46228 Part 4, 0.25 mm² ... 6 mm², front entry, trapezoidal crimp

Ferrule - AI-TWIN 2X 2,5 -13 BU

3200878

<https://www.phoenixcontact.com/pc/products/3200878>

Crimping pliers

Crimping pliers - CRIMPFOX 6S-F - 1212043

<https://www.phoenixcontact.com/pc/products/1212043>



Crimping pliers, for ferrules without insulating collar according to DIN 46228 Part 1 and ferrules with insulating collar according to DIN 46228 Part 4, 0.5 mm² ... 6 mm², front entry, square crimp

Crimping pliers

Crimping pliers - CRIMPFOX DUO 10 - 1031721

<https://www.phoenixcontact.com/pc/products/1031721>



Crimping pliers, type of contact: Insulated and uninsulated ferrules, min. cross section: 0.14 mm², max. cross section: 10 mm², for TWIN ferrules up to 2 x 4 mm², automatic cross section adjustment, rotating die, lateral and frontal insertion, compression: Trapezoidal crimp, black/green

Phoenix Contact 2022 © - all rights reserved
<https://www.phoenixcontact.com>

PHOENIX CONTACT GmbH & Co. KG
Flachsmarktstraße 8
D-32825 Blomberg
+49 (0) 5235-3 00
info@phoenixcontact.com