

Interface module - DFLK 26

2280255

<https://www.phoenixcontact.com/de/produkte/2280255>



Please be informed that the data shown in this PDF document is generated from our Online Catalog. Please find the complete data in the user documentation. Our General Terms of Use for Downloads are valid.



The VARIOFACE feed-through module implements a 1:1 connection between screw connection terminal blocks and an IDC/FLK pin strip (2.54 mm, number of positions: 26).

Interface module - DFLK 26

2280255

<https://www.phoenixcontact.com/de/produkte/2280255>



Commercial Data

Item number	2280255
Packing unit	5 pc
Minimum order quantity	1 pc
Note	Made to Order (non-returnable)
Sales Key	I1 - Systemverkabelung
Product Key	CK2215
Catalog Page	Page 582 (C-7-2015)
GTIN	4017918054366
Weight per Piece (including packing)	83,47 g
Weight per Piece (excluding packing)	0,86 g
Customs tariff number	85369010
Country of origin	DE

Technical Data

Notes

Notes on operation	Do not connect adjacent channels to SELV/ PELV and voltages dangerous to the touch.
Notes on operation	At least one functional insulation against adjacent modules is complied with (in the support rail direction). If the application has stricter requirements for the insulation (basic insulation or reinforced insulation), they must be realized by applying suitable measures (e. g. partition plates).

Product properties

Product type	Interface module
Number of positions	26
Operating mode	100% operating factor

Insulation characteristics

Overvoltage category	II
Pollution degree	2
Insulation	Functional insulation

Electrical properties

Max. permissible operating voltage	25 V AC
	60 V DC
Max. permissible current	1 A (per path)
Max. permissible total current	26 A ($T_A = 50^\circ\text{C}$)
Rated insulation voltage	63 V
Rated surge voltage	0.6 kV

Connection data

Field level

Connection in acc. with standard	IEC / EN
Connection method	Screw connection
Stripping length	8 mm
Screw thread	M3
Conductor cross section solid	0.2 mm ² ... 4 mm ²
Conductor cross section flexible	0.2 mm ² ... 2.5 mm ²
Conductor cross section AWG	24 ... 12

Field level

Connection method	IDC/FLK pin strip
Number of connections	1
Number of positions	26
Pitch	2.54 mm

LED signaling

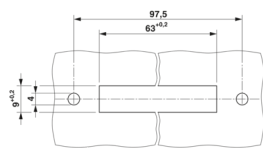
Interface module - DFLK 26

2280255

<https://www.phoenixcontact.com/de/produkte/2280255>

Status display	No
Status display present	No

Dimensions

Dimensional drawing	
Width	40 mm
Height	83.5 mm
Depth	47.5 mm

Material specifications

Housing insulation material	Polyamide 6.6 green
-----------------------------	---------------------

Environmental and real-life conditions

Ambient conditions

Degree of protection	IP20 ≥ IP54 (Installation location)
Ambient temperature (operation)	-20 °C ... 50 °C
Ambient temperature (storage/transport)	-20 °C ... 70 °C
Altitude	≤ 2000 m

Approval data

UKCA

Certificate	UKCA-compliant
-------------	----------------

Standards and regulations

Air clearances and creepage distances

Standards/regulations	DIN EN 50178
-----------------------	--------------

Mounting

Mounting type	Rear mounting
Assembly instructions	in rows with zero spacing
Mounting position	any

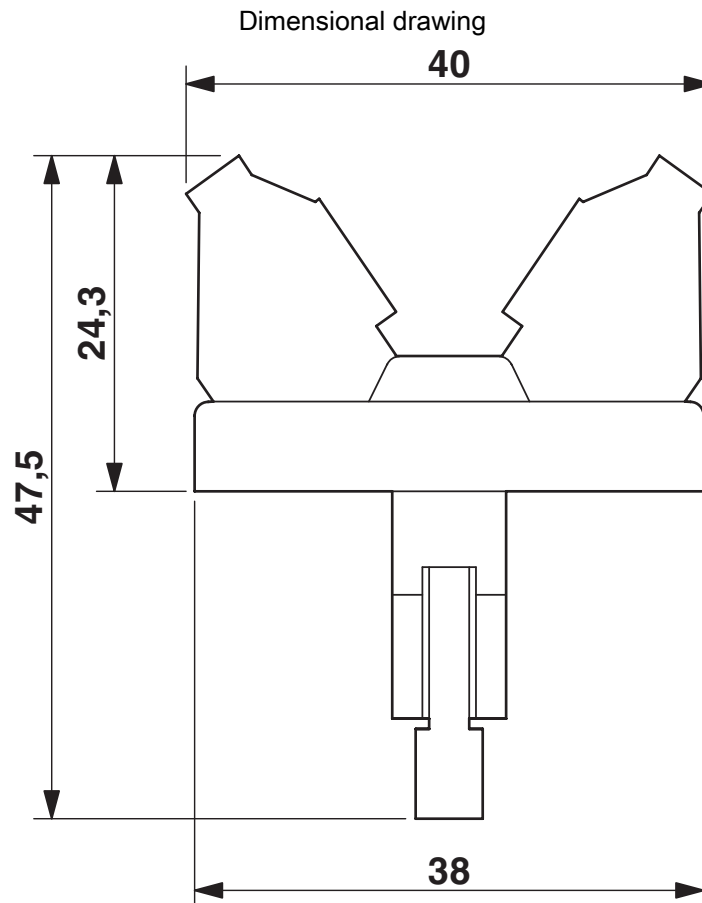
Interface module - DFLK 26

2280255

<https://www.phoenixcontact.com/de/produkte/2280255>



Drawings



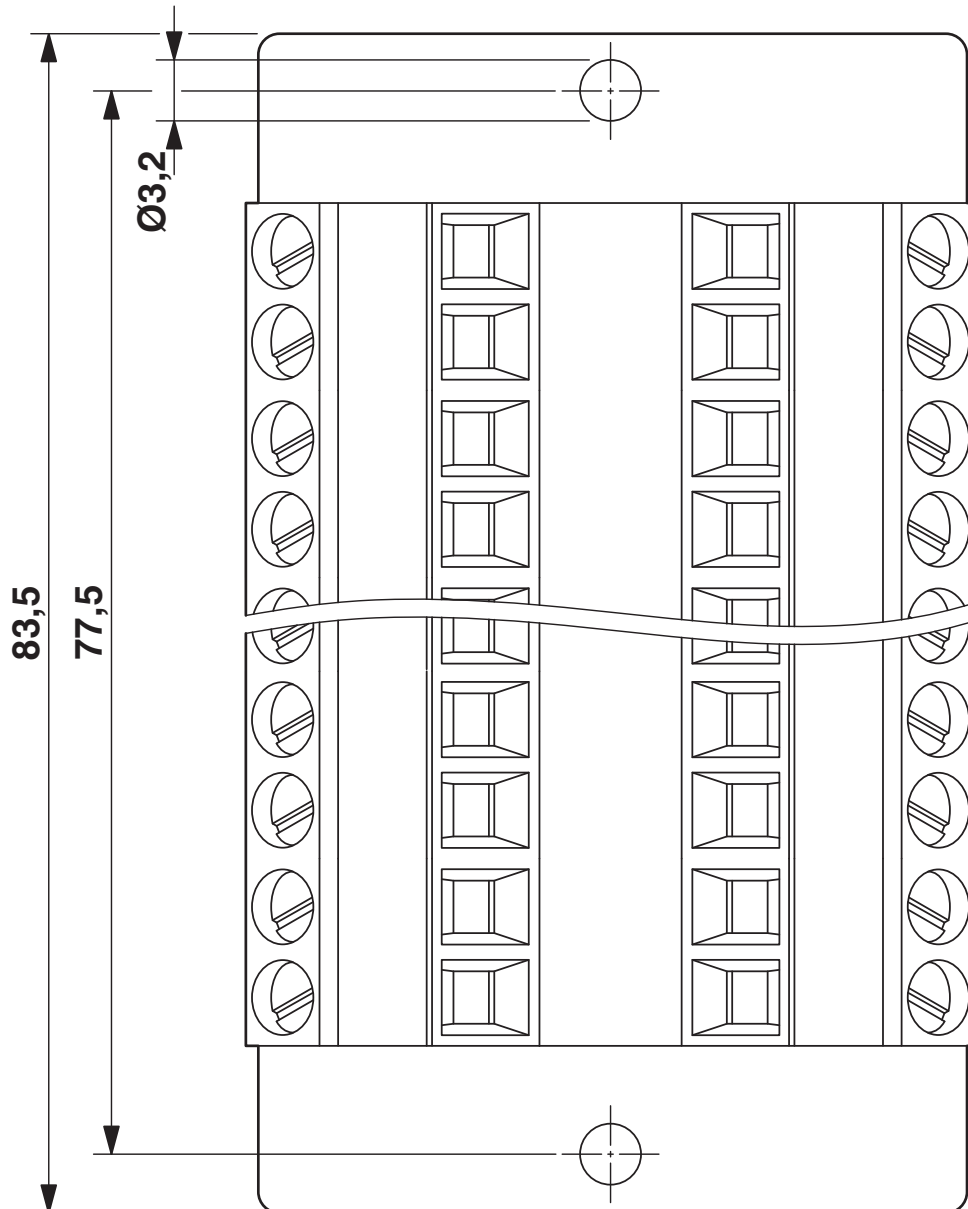
Interface module - DFLK 26

2280255

<https://www.phoenixcontact.com/de/produkte/2280255>



Dimensional drawing



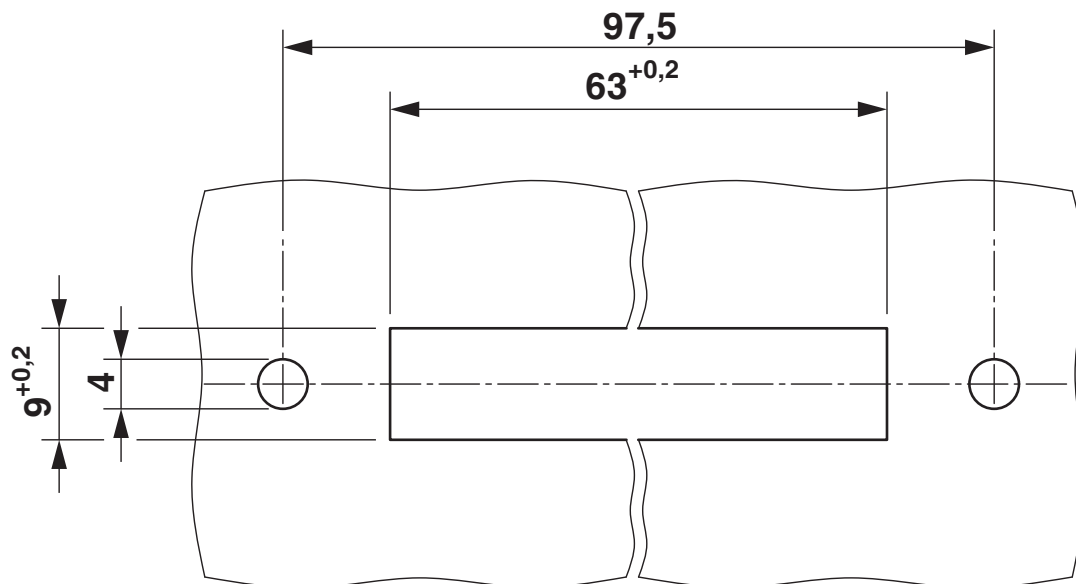
Interface module - DFLK 26

2280255

<https://www.phoenixcontact.com/de/produkte/2280255>



Dimensional drawing



Interface module - DFLK 26

2280255

<https://www.phoenixcontact.com/de/produkte/2280255>



Classifications

ECLASS

ECLASS-9.0	27141152
ECLASS-10.0.1	27141152
ECLASS-11.0	27141152

ETIM

ETIM 8.0	EC002780
----------	----------

UNSPSC

UNSPSC 21.0	39121400
-------------	----------

Interface module - DFLK 26

2280255

<https://www.phoenixcontact.com/de/produkte/2280255>



Environmental Product Compliance

China RoHS	Environmentally friendly use period: unlimited = EFUP-e
	No hazardous substances above threshold values

Interface module - DFLK 26

2280255

<https://www.phoenixcontact.com/de/produkte/2280255>



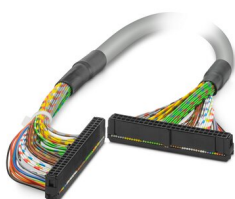
Accessories

Cable

Cable - FLK EZ-DR.../.../... - 2295059

<https://www.phoenixcontact.com/de/produkte/2295059>

Round cable, with preassembly, not shielded, variable cable length



Cable

Cable - FLK 26/EZ-DR/ 50/KONFEK - 2299385

<https://www.phoenixcontact.com/de/produkte/2299385>

Round cable set; connection 1: IDC/FLK socket strip (1x 26-position); connection 2: IDC/FLK socket strip (1x 26-position); cable length: 0.5 m



Interface module - DFLK 26

2280255

<https://www.phoenixcontact.com/de/produkte/2280255>

Cable

Cable - FLK 26/EZ-DR/ 100/KONFEK - 2299398

<https://www.phoenixcontact.com/de/produkte/2299398>



Round cable set; connection 1: IDC/FLK socket strip (1x 26-position); connection 2: IDC/FLK socket strip (1x 26-position); cable length: 1 m

Cable

Cable - FLK 26/EZ-DR/ 150/KONFEK - 2299408

<https://www.phoenixcontact.com/de/produkte/2299408>



Round cable set; connection 1: IDC/FLK socket strip (1x 26-position); connection 2: IDC/FLK socket strip (1x 26-position); cable length: 1.5 m

Interface module - DFLK 26

2280255

<https://www.phoenixcontact.com/de/produkte/2280255>



Cable

Cable - FLK 26/EZ-DR/ 200/KONFEK - 2299411

<https://www.phoenixcontact.com/de/produkte/2299411>



Round cable set; connection 1: IDC/FLK socket strip (1x 26-position); connection 2: IDC/FLK socket strip (1x 26-position); cable length: 2 m

Cable

Cable - FLK 26/EZ-DR/ 300/KONFEK - 2299424

<https://www.phoenixcontact.com/de/produkte/2299424>



Round cable set; connection 1: IDC/FLK socket strip (1x 26-position); connection 2: IDC/FLK socket strip (1x 26-position); cable length: 3 m

Interface module - DFLK 26

2280255

<https://www.phoenixcontact.com/de/produkte/2280255>



Cable

Cable - FLK 26/EZ-DR/ 400/KONFEK - 2299437

<https://www.phoenixcontact.com/de/produkte/2299437>



Round cable set; connection 1: IDC/FLK socket strip (1x 26-position); connection 2: IDC/FLK socket strip (1x 26-position); cable length: 4 m

Cable

Cable - FLK 26/EZ-DR/ 600/KONFEK - 2299440

<https://www.phoenixcontact.com/de/produkte/2299440>



Round cable set; connection 1: IDC/FLK socket strip (1x 26-position); connection 2: IDC/FLK socket strip (1x 26-position); cable length: 6 m

Interface module - DFLK 26

2280255

<https://www.phoenixcontact.com/de/produkte/2280255>



Cable

Cable - FLK 26/EZ-DR/ 800/KONFEK - 2299453

<https://www.phoenixcontact.com/de/produkte/2299453>



Round cable set; connection 1: IDC/FLK socket strip (1x 26-position); connection 2: IDC/FLK socket strip (1x 26-position); cable length: 8 m

Cable

Cable - FLK 26/EZ-DR/1000/KONFEK - 2299466

<https://www.phoenixcontact.com/de/produkte/2299466>



Round cable set; connection 1: IDC/FLK socket strip (1x 26-position); connection 2: IDC/FLK socket strip (1x 26-position); cable length: 10 m

Phoenix Contact 2022 © - all rights reserved
<https://www.phoenixcontact.com>

PHOENIX CONTACT Deutschland GmbH
Flachsmarktstraße 8
D-32825 Blomberg
+49 52 35/3-1 20 00
info@phoenixcontact.de