

Flush-type connector - SACC-E-FS-4CON-M16/0,5 SCO



1523434

<https://www.phoenixcontact.com/pc/products/1523434>

Please be informed that the data shown in this PDF document is generated from our Online Catalog. Please find the complete data in the user documentation. Our General Terms of Use for Downloads are valid.



Flush-type connector, Universal, 4-position, Socket, straight, M12-SPEEDCON, A-coded, Front mounting, M16 x 1.5, Individual wires, cable length: 0.5 m, 0.34 mm², TPE litz wire

Your advantages

- Pre-assembled with litz wires for immediate use
- Customer-specific assemblies and litz wire lengths available
- Sealed on the litz wire side for optimum leak-tightness
- All standard pin assignments and codings for signal, data, and power transmission with a uniform design-in design
- For high transmission safety: shield connection to the housing with optional EMC nut
- SPEEDCON fast locking system reduces cabling times

Flush-type connector - SACC-E-FS-4CON-M16/0,5 SCO



1523434

<https://www.phoenixcontact.com/pc/products/1523434>

Commercial Data

Item number	1523434
Packing unit	1 pc
Minimum order quantity	1 pc
Product Key	ABQCDB
Catalog Page	Page 37 (C-2-2019)
GTIN	4046356021265
Weight per Piece (including packing)	20.6 g
Weight per Piece (excluding packing)	20.3 g
Customs tariff number	85366990
Country of origin	DE

Flush-type connector - SACC-E-FS-4CON-M16/0,5 SCO



1523434

<https://www.phoenixcontact.com/pc/products/1523434>

Technical Data

Notes

Safety note

Safety note

WARNING: The connectors may not be plugged in or disconnected under load. Ignoring the warning or improper use may damage persons and/or property.

- WARNING: Commission properly functioning products only. The products must be regularly inspected for damage. Decommission defective products immediately. Replace damaged products. Repairs are not possible.

- WARNING: Only electrically qualified personnel may install and operate the product. They must observe the following safety notes. The qualified personnel must be familiar with the basics of electrical engineering. They must be able to recognize and prevent danger. The relevant symbol on the packaging indicates that only personnel familiar with electrical engineering are allowed to install and operate the product.

- The products are suitable for applications in plant, controller, and electrical device engineering.

- When operating the connectors in outdoor applications, they must be separately protected against environmental influences.

- Assembled products may not be manipulated or improperly opened.

- Only use mating connectors that are specified in the technical data of the standards listed (e.g. the ones listed in the product accessories online at [phoenixcontact.com/products](https://www.phoenixcontact.com/products)).

- When using the product in direct connection with third-party manufacturers, the user is responsible.

- For operating voltages > 50 V AC, conductive connector housings must be grounded

- Ensure that when laying the cable, the tensile load on the connectors does not exceed the upper limit specified in the standards.

- Observe the corresponding technical data. You will find information:
 - o On the product
 - o On the packing label
 - o In the supplied documentation
 - o Online at [phoenixcontact.com/products](https://www.phoenixcontact.com/products) under the product

- Only use tools recommended by Phoenix Contact

- Use a protective cap to protect connectors that are not in use. The suitable accessories are available online in the accessory section of the product at [phoenixcontact.com/products](https://www.phoenixcontact.com/products)

- Ensure that the protective or functional ground has been properly connected.

- VDE 0100/1.97 § 411.1.3.2 and DIN EN 60 204/11.98 § 14.1.3 are applicable when combining several circuits in a cable and/or connector

- The connector warms up in normal operation. Depending on the ambient conditions, the surface of the connector can continue to warm up. In this case, the user is responsible for posting

Flush-type connector - SACC-E-FS-4CON-M16/0,5 SCO



1523434

<https://www.phoenixcontact.com/pc/products/1523434>

warnings (e.g. DIN EN ISO 13732-1:2008-12).

Product properties

Product type	Circular connectors (device side)
Number of positions	4
No. of cable outlets	1
Shielded	no
Coding	A - standard

Insulation characteristics

Overvoltage category	II
Degree of pollution	3

Ambient conditions

Degree of protection	IP67
Degree of protection	IP65/IP67
Ambient temperature (operation)	-25 °C ... 85 °C (Plug / socket)
	-40 °C ... 85 °C (without mechanical actuation)
	-25 °C ... 85 °C (Cable, flexible installation)
	-40 °C ... 85 °C (cable, fixed installation)

Connector

Insertion/withdrawal cycles	> 100
-----------------------------	-------

Header 1

Head design	Socket
Head cable outlet	straight
Head thread type	M12
Head locking type	SPEEDCON
Coding	A-coded

Electrical properties

Rated surge voltage	2.5 kV
Contact resistance	≤ 3 mΩ
Insulation resistance	≥ 100 MΩ
Nominal voltage U_N	250 V
Nominal current I_N	4 A

Material specifications

Flammability rating according to UL 94	V0
Sealing material	NBR/FKM
Contact material	CuZn
Contact surface material	Ni/Au
Contact carrier material	PA 6.6
Cable gland material	Zinc die-cast, nickel-plated

Flush-type connector - SACC-E-FS-4CON-M16/0,5 SCO



1523434

<https://www.phoenixcontact.com/pc/products/1523434>

Connection data

Conductor connection

Connection method	Individual wires
-------------------	------------------

Mounting

Mounting type	Front mounting
---------------	----------------

Standards and regulations

M12

Standards/specifications	IEC 61076-2-101
--------------------------	-----------------

Cable / line

Cable length	0.5 m
--------------	-------

Cable structure

Cable type	TPE litz wire
Signal type/category	Universal
Conductor material	Tin-plated Cu litz wires
Conductor structure signal line	7x 0.25 mm
AWG signal line	22
Material wire insulation	TPE
Thickness, insulation	0.21 mm (Core insulation)
Wire diameter incl. insulation	1.2 mm ±0.07 mm
Single wire, color	brown, white, blue, black

Electrical properties

Nominal voltage, cable	300 V
Test voltage, cable	2000 V AC
Conductor resistance	≤ 57.6 mΩ/m
Cable insulation resistance	≥ 20 MΩ*km

Ambient conditions

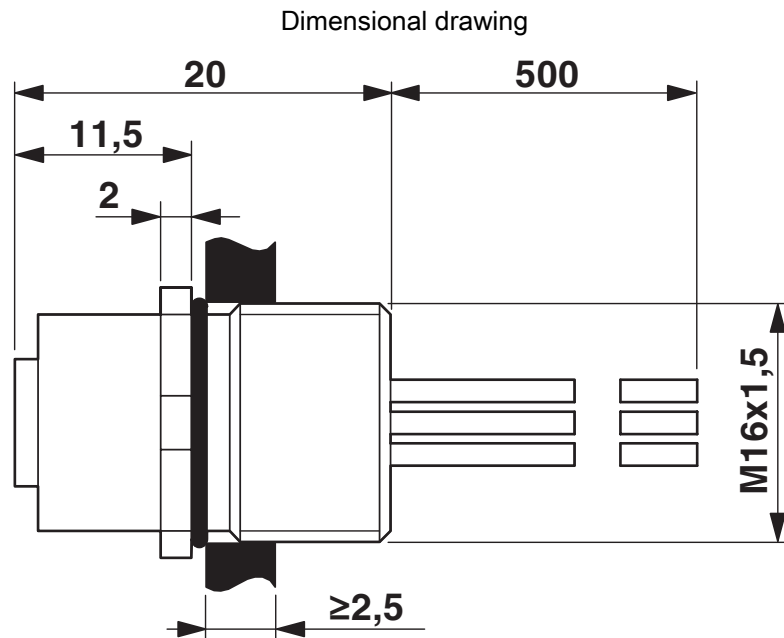
Ambient temperature (operation)	-25 °C ... 85 °C (Cable, flexible installation)
	-40 °C ... 85 °C (cable, fixed installation)

Flush-type connector - SACC-E-FS-4CON-M16/0,5 SCO

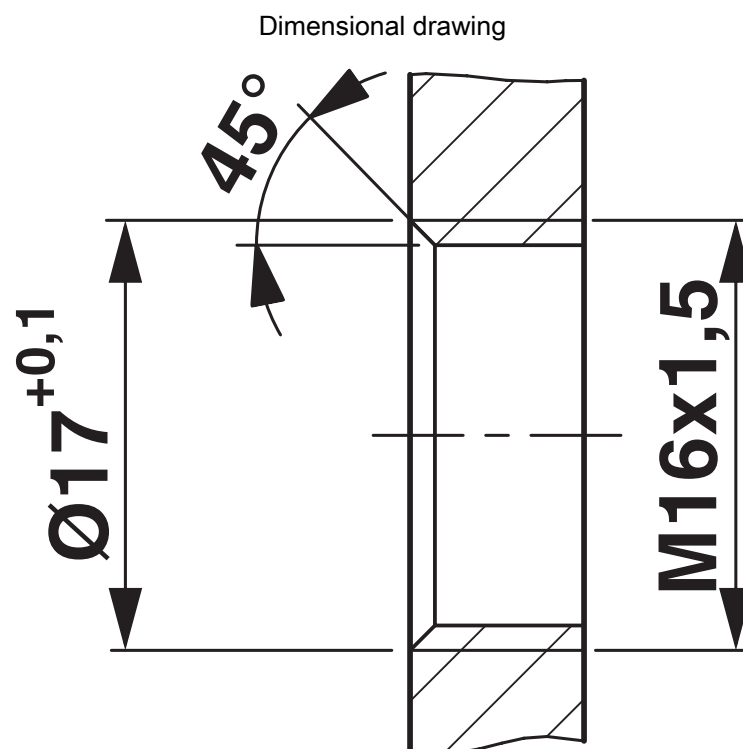
1523434

<https://www.phoenixcontact.com/pc/products/1523434>

Drawings



M12 flush-type connector



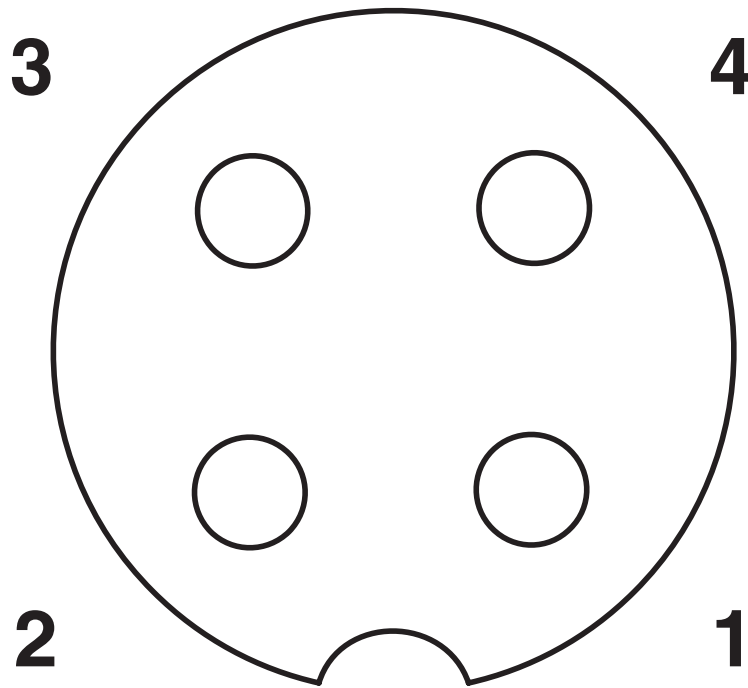
Housing cutout for M16 fastening thread, mounting panel with thread

Flush-type connector - SACC-E-FS-4CON-M16/0,5 SCO

1523434

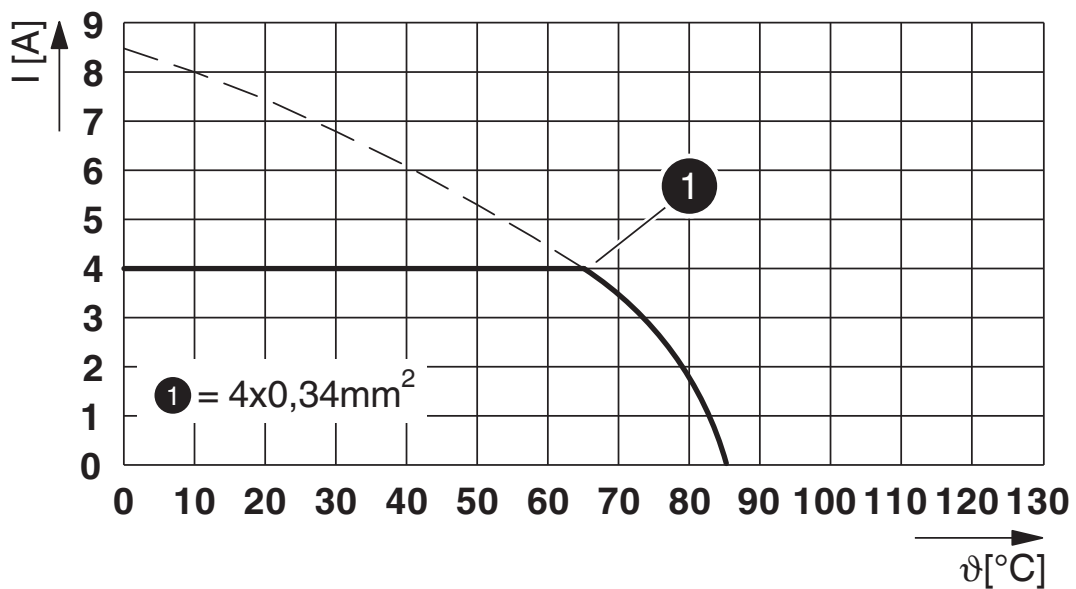
<https://www.phoenixcontact.com/pc/products/1523434>

Schematic diagram



Pin assignment M12 socket, 4-pos., A-coded, view female side

Diagram



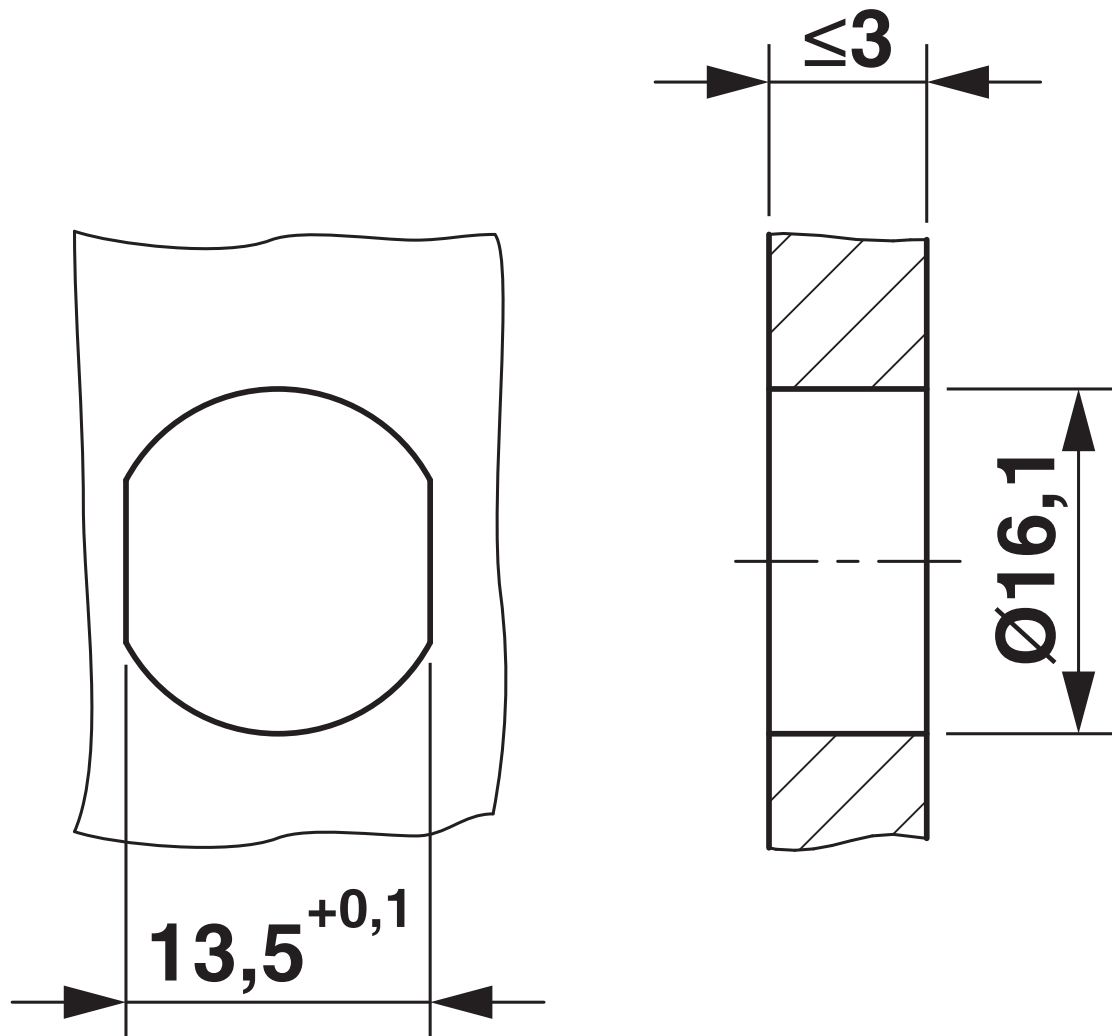
I = current strength, T = ambient temperature

Flush-type connector - SACC-E-FS-4CON-M16/0,5 SCO

1523434

<https://www.phoenixcontact.com/pc/products/1523434>

Dimensional drawing



Housing cutout for M16 fastening thread, mounting panel with feed-through hole (alternatively with surface as protection against rotation)

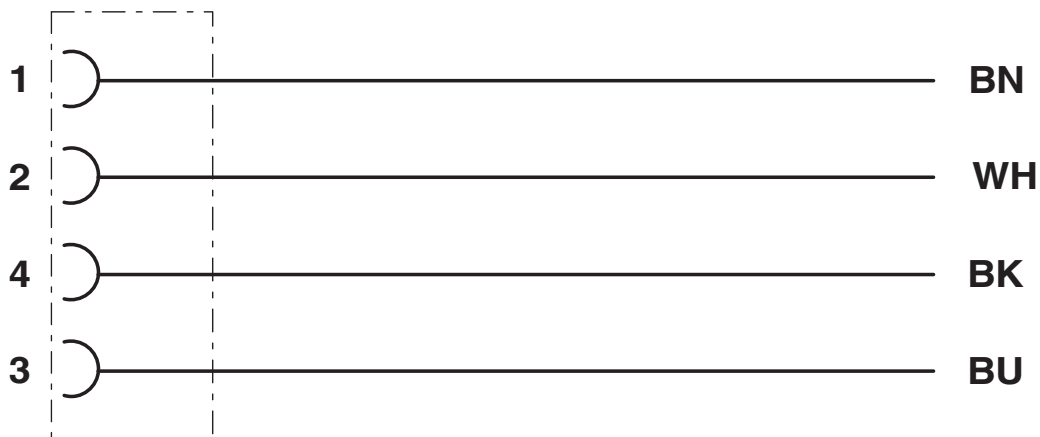
Flush-type connector - SACC-E-FS-4CON-M16/0,5 SCO



1523434

<https://www.phoenixcontact.com/pc/products/1523434>

Circuit diagram



Contact assignment of the M12 socket

Flush-type connector - SACC-E-FS-4CON-M16/0,5 SCO




1523434

<https://www.phoenixcontact.com/pc/products/1523434>

Approvals

 UL Recognized Approval ID: FILE E 118976				
	Nominal Voltage U_N	Nominal Current I_N	Cross Section AWG	Cross Section mm^2
	250 V	4 A	- 22	-

 EAC Approval ID: B.01687				
--	--	--	--	--

 cULus Recognized Approval ID: E221474-20140616				
	Nominal Voltage U_N	Nominal Current I_N	Cross Section AWG	Cross Section mm^2
	250 V	4 A	22 - 20	-

Flush-type connector - SACC-E-FS-4CON-M16/0,5 SCO



1523434

<https://www.phoenixcontact.com/pc/products/1523434>

Classifications

ECLASS

ECLASS-9.0	27440102
ECLASS-10.0.1	27440102
ECLASS-11.0	27440102

ETIM

ETIM 8.0	EC002635
----------	----------

UNSPSC

UNSPSC 21.0	39121400
-------------	----------

Flush-type connector - SACC-E-FS-4CON-M16/0,5 SCO



1523434

<https://www.phoenixcontact.com/pc/products/1523434>

Environmental Product Compliance

China RoHS	Environmentally friendly use period: unlimited = EFUP-e
	No hazardous substances above threshold values

Flush-type connector - SACC-E-FS-4CON-M16/0,5 SCO



1523434

<https://www.phoenixcontact.com/pc/products/1523434>

Accessories

Screw plug

Screw plug - PROT-M12 - 1680539

<https://www.phoenixcontact.com/pc/products/1680539>



An M12 screw plug for the unoccupied M12 sockets of the sensor/actuator cable, boxes and flush-type connectors

Screw plug

Screw plug - PROT-M12 SH - 1503302

<https://www.phoenixcontact.com/pc/products/1503302>



An M12 screw plug for the unoccupied M12 sockets of the shielded sensor/actuator cable, boxes and flush-type connectors

Flush-type connector - SACC-E-FS-4CON-M16/0,5 SCO



1523434

<https://www.phoenixcontact.com/pc/products/1523434>

Screw plug

Screw plug - PROT-M12 FB - 1555538

<https://www.phoenixcontact.com/pc/products/1555538>



M12 high-grade steel screw plug, for unoccupied M12 sockets of the sensor/actuator cables, boxes and flush-type connectors for the food industry

Flat gasket

Flat gasket - SACC-M16-SEAL CLM - 1430394

<https://www.phoenixcontact.com/pc/products/1430394>



M16 flat gasket for M12 flush-type connectors with M16 fastening thread

Flush-type connector - SACC-E-FS-4CON-M16/0,5 SCO

1523434

<https://www.phoenixcontact.com/pc/products/1523434>

Flat nut

Flat nut - SACC-E-MU-M16 - 1504097

<https://www.phoenixcontact.com/pc/products/1504097>

Flat nut with M16 thread



Phoenix Contact 2022 © - all rights reserved

<https://www.phoenixcontact.com>

PHOENIX CONTACT GmbH & Co. KG

Flachsmarktstraße 8

D-32825 Blomberg

+49 (0) 5235-3 00

info@phoenixcontact.com