

Bus system flush-type socket - SACCBP-FS-4CON-M16/1,0-PUR SCO



1419302

<https://www.phoenixcontact.com/pc/products/1419302>

Please be informed that the data shown in this PDF document is generated from our Online Catalog. Please find the complete data in the user documentation. Our General Terms of Use for Downloads are valid.



Flush-type socket, shielded, 4-pos., M12, A-coded, rear/screw mounting with M16 thread, with 1 m cable, 4 x 0.34 mm²

Your advantages

- Pre-assembled with cables in various standard lengths for immediate use
- Customer-specific assemblies and cable lengths can be supplied
- Sealed on the cable side for optimum tightness of seal
- Cable designs for all common networks and fieldbuses
- For high transmission safety: shield connection to the housing with optional EMC nut

Bus system flush-type socket - SACCBP-FS-4CON-M16/1,0-PUR SCO



1419302

<https://www.phoenixcontact.com/pc/products/1419302>

Commercial Data

Item number	1419302
Packing unit	1 pc
Minimum order quantity	1 pc
Note	Made to Order (non-returnable)
Product Key	ABQCED
Catalog Page	Page 51 (C-2-2019)
GTIN	4046356533256
Weight per Piece (including packing)	71.6 g
Weight per Piece (excluding packing)	71.6 g
Customs tariff number	85444290
Country of origin	DE

Technical Data

Notes

Notes on operation

The electrical and mechanical data specified assume that the connector pair is correctly locked and mounted. If the connector is unlocked and if there is a danger of contamination, the connector must be sealed using a protective cap > IP54. Influences arising from litz wires, cables or PCB assembly must also be taken into consideration.

Safety note

Safety note

WARNING: The connectors may not be plugged in or disconnected under load. Ignoring the warning or improper use may damage persons and/or property.

- **WARNING:** Commission properly functioning products only. The products must be regularly inspected for damage. Decommission defective products immediately. Replace damaged products. Repairs are not possible.

- **WARNING:** Only electrically qualified personnel may install and operate the product. They must observe the following safety notes. The qualified personnel must be familiar with the basics of electrical engineering. They must be able to recognize and prevent danger. The relevant symbol on the packaging indicates that only personnel familiar with electrical engineering are allowed to install and operate the product.

- The products are suitable for applications in plant, controller, and electrical device engineering.

- When operating the connectors in outdoor applications, they must be separately protected against environmental influences.

- Assembled products may not be manipulated or improperly opened.

- Only use mating connectors that are specified in the technical data of the standards listed (e.g. the ones listed in the product accessories online at [phoenixcontact.com/products](https://www.phoenixcontact.com/products)).

- When using the product in direct connection with third-party manufacturers, the user is responsible.

- For operating voltages > 50 V AC, conductive connector housings must be grounded

- Ensure that when laying the cable, the tensile load on the connectors does not exceed the upper limit specified in the standards.

- Observe the corresponding technical data. You will find information:

- o On the product

- o On the packing label

- o In the supplied documentation

- o Online at [phoenixcontact.com/products](https://www.phoenixcontact.com/products) under the product

- Only use tools recommended by Phoenix Contact

- Use a protective cap to protect connectors that are not in use. The suitable accessories are available online in the accessory section of the product at [phoenixcontact.com/products](https://www.phoenixcontact.com/products)

Bus system flush-type socket - SACCBP-FS-4CON-M16/1,0-PUR SCO



1419302

<https://www.phoenixcontact.com/pc/products/1419302>

	<ul style="list-style-type: none">• Ensure that the protective or functional ground has been properly connected.
	<ul style="list-style-type: none">• VDE 0100/1.97 § 411.1.3.2 and DIN EN 60 204/11.98 § 14.1.3 are applicable when combining several circuits in a cable and/or connector
	<ul style="list-style-type: none">• The connector warms up in normal operation. Depending on the ambient conditions, the surface of the connector can continue to warm up. In this case, the user is responsible for posting warnings (e.g. DIN EN ISO 13732-1:2008-12).

Product properties

Product type	Circular connectors (device side)
Number of positions	4
No. of cable outlets	1
Shielded	yes
Coding	A - standard

Insulation characteristics

Overvoltage category	II
Degree of pollution	3

Ambient conditions

Degree of protection	IP67 (When plugged in) IP65 (When plugged in)
Degree of protection	IP65/IP67
Ambient temperature (operation)	-25 °C ... 85 °C (Plug / socket) -40 °C ... 85 °C (without mechanical actuation)

Connector

Insertion/withdrawal cycles	> 100
-----------------------------	-------

Header 1

Head design	Flush-type female connector
Head cable outlet	straight
Head thread type	M12
Head locking type	SPEEDCON
Coding	A

Header 2

Head design	free cable end
-------------	----------------

Electrical properties

Rated surge voltage	2.5 kV
Contact resistance	≤ 3 mΩ
Insulation resistance	≥ 100 MΩ
Nominal voltage U_N	250 V

Bus system flush-type socket - SACCBP-FS-4CON-M16/1,0-PUR SCO



1419302

<https://www.phoenixcontact.com/pc/products/1419302>

Nominal current I_N	4 A (Plug/socket in accordance with IEC 61076-2-101, cable technical data is to be observed)
Transmission medium	Copper

Material specifications

Flammability rating according to UL 94	V0
Sealing material	NBR
Contact material	CuZn
Contact surface material	Au
Contact carrier material	PA 6.6
Cable gland material	Zinc die-cast

Connection data

Conductor connection

Connection method	Individual wires
-------------------	------------------

Mounting

Mounting type	Rear mounting M16 x 1.5 With flat nut
Assembly instructions	With flat nut

Standards and regulations

M12

Standards/specifications	IEC 61076-2-101
--------------------------	-----------------

Cable / line

Cable length	1 m
--------------	-----

Cable structure

Cable type	PUR halogen-free black
Signal type/category	Universal
Outer sheath, material	PUR
External sheath, color	black-gray RAL 7021

Mechanical properties

Number of bending cycles	2000000
Minimum bending radius, drag chain applications	10 x D
Traversing path	10 m
Traversing rate	3 m/s
Acceleration	10 m/s ²

Bending cycles

Number of bending cycles	2000000
Minimum bending radius, drag chain applications	10 x D
Traversing path	10 m

Bus system flush-type socket - SACCBP-FS-4CON-M16/1,0-PUR SCO



1419302

<https://www.phoenixcontact.com/pc/products/1419302>

Traversing rate	3 m/s
Acceleration	10 m/s ²

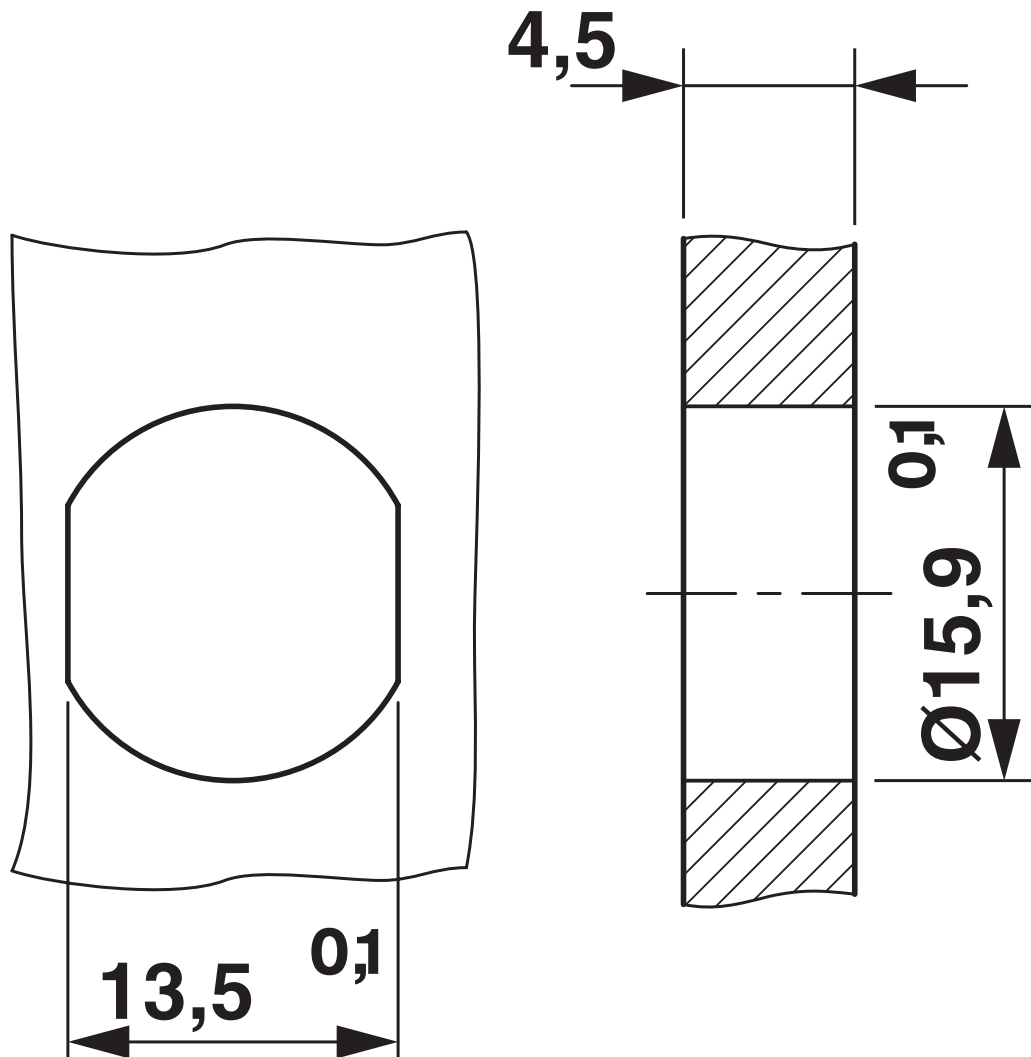
Bus system flush-type socket - SACCBP-FS-4CON-M16/1,0-PUR SCO

1419302

<https://www.phoenixcontact.com/pc/products/1419302>

Drawings

Dimensional drawing



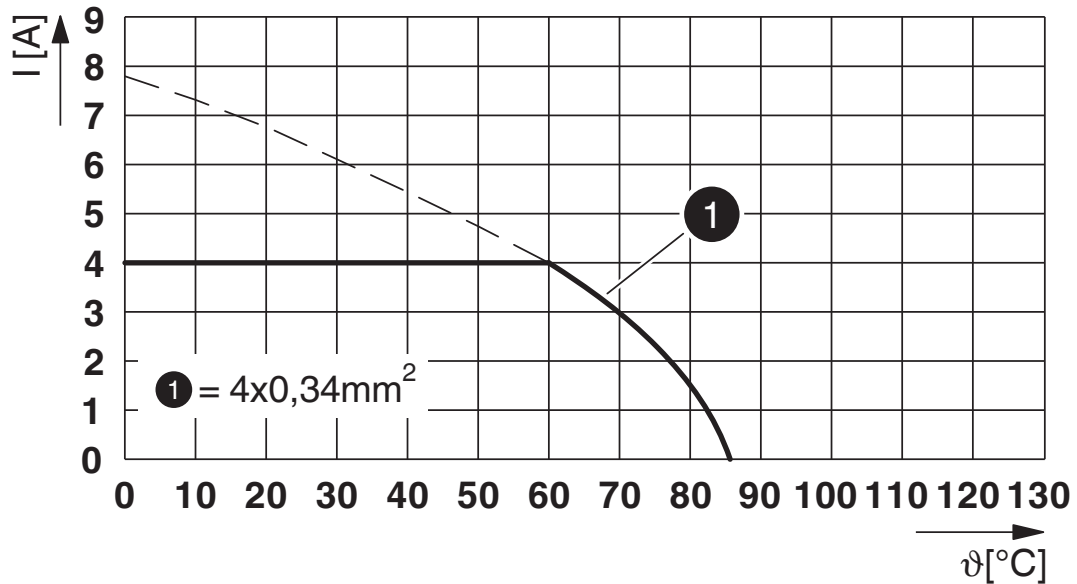
Housing cutout for M16 fastening thread, mounting panel with feed-through hole (alternatively with surface as protection against rotation)

Bus system flush-type socket - SACCBP-FS-4CON-M16/1,0-PUR SCO

1419302

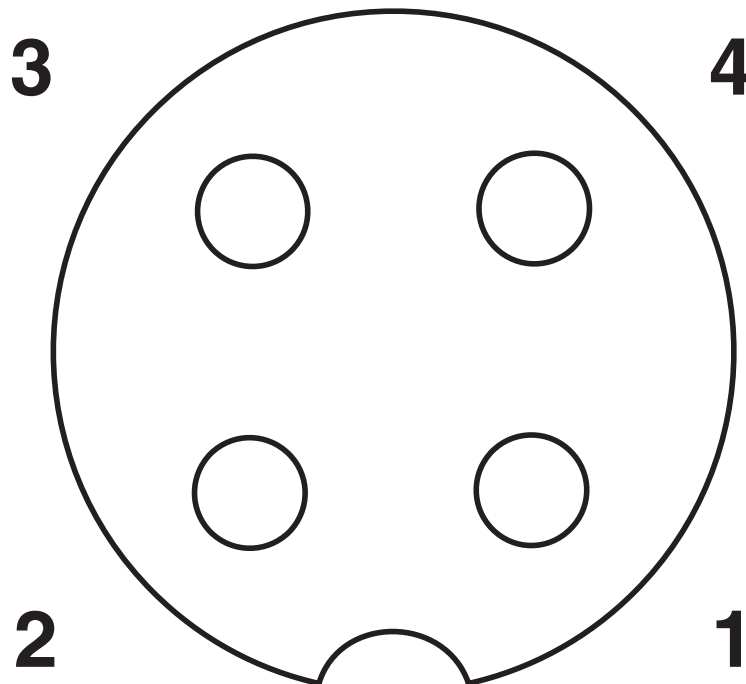
<https://www.phoenixcontact.com/pc/products/1419302>

Diagram



I = current strength, T = ambient temperature

Schematic diagram



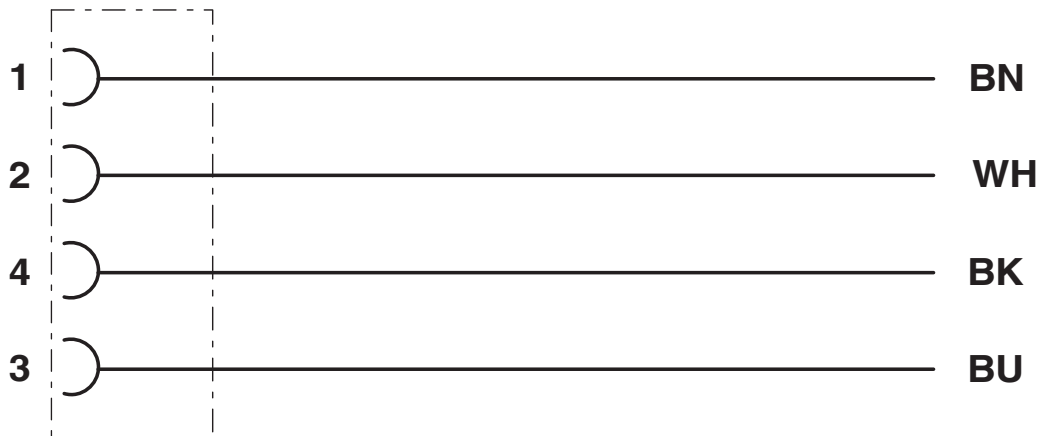
Pin assignment M12 socket, 4-pos., A-coded, view female side

Bus system flush-type socket - SACCBP-FS-4CON-M16/1,0-PUR SCO

1419302

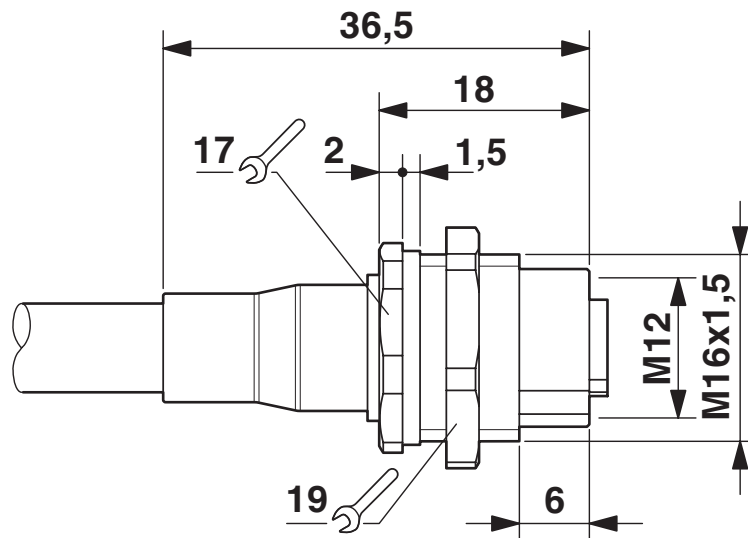
<https://www.phoenixcontact.com/pc/products/1419302>

Circuit diagram



Contact assignment of the M12 socket

Dimensional drawing



M12 flush-type connector

Bus system flush-type socket - SACCBP-FS-4CON-M16/1,0-PUR SCO



1419302

<https://www.phoenixcontact.com/pc/products/1419302>

Approvals



EAC

Approval ID: B.01687

Bus system flush-type socket - SACCBP-FS-4CON-M16/1,0-PUR SCO



1419302

<https://www.phoenixcontact.com/pc/products/1419302>

Classifications

ECLASS

ECLASS-9.0	27440102
ECLASS-10.0.1	27440102
ECLASS-11.0	27440103

ETIM

ETIM 8.0	EC003570
----------	----------

UNSPSC

UNSPSC 21.0	39121400
-------------	----------

Bus system flush-type socket - SACCBP-FS-4CON-M16/1,0-PUR SCO



1419302

<https://www.phoenixcontact.com/pc/products/1419302>

Environmental Product Compliance

REACH SVHC	Lead 7439-92-1
China RoHS	Environmentally Friendly Use Period = 50 years
	For information on hazardous substances, refer to the manufacturer's declaration available under "Downloads"

Bus system flush-type socket - SACCBP-FS-4CON-M16/1,0-PUR SCO

1419302

<https://www.phoenixcontact.com/pc/products/1419302>

Accessories

Screw plug

Screw plug - SACC-M16-SEALING PLUG SET - 1453368

<https://www.phoenixcontact.com/pc/products/1453368>



M16 screw plug for unused M12 housing cutouts

Screw plug

Screw plug - PROT-M12 - 1680539

<https://www.phoenixcontact.com/pc/products/1680539>



An M12 screw plug for the unoccupied M12 sockets of the sensor/actuator cable, boxes and flush-type connectors

Bus system flush-type socket - SACCBP-FS-4CON-M16/1,0-PUR SCO

1419302

<https://www.phoenixcontact.com/pc/products/1419302>

Screw plug

Screw plug - PROT-M12 SH - 1503302

<https://www.phoenixcontact.com/pc/products/1503302>



An M12 screw plug for the unoccupied M12 sockets of the shielded sensor/actuator cable, boxes and flush-type connectors

Screw plug

Screw plug - PROT-M12 FB - 1555538

<https://www.phoenixcontact.com/pc/products/1555538>



M12 high-grade steel screw plug, for unoccupied M12 sockets of the sensor/actuator cables, boxes and flush-type connectors for the food industry

Bus system flush-type socket - SACCBP-FS-4CON-M16/1,0-PUR SCO



1419302

<https://www.phoenixcontact.com/pc/products/1419302>

Flat gasket

Flat gasket - SACC-M16-SEAL CLM - 1430394

<https://www.phoenixcontact.com/pc/products/1430394>

M16 flat gasket for M12 flush-type connectors with M16 fastening thread



Phoenix Contact 2022 © - all rights reserved
<https://www.phoenixcontact.com>

PHOENIX CONTACT GmbH & Co. KG
Flachmarktstraße 8
D-32825 Blomberg
+49 (0) 5235-3 00
info@phoenixcontact.com