

Connector - SACC-MS-4QO-0,75 SH SCO



1413993

<https://www.phoenixcontact.com/pc/products/1413993>

Please be informed that the data shown in this PDF document is generated from our Online Catalog. Please find the complete data in the user documentation. Our General Terms of Use for Downloads are valid.



Connector, Universal, 4-position, halogen-free, shielded, Plug straight M12 SPEEDCON, Coding: A, Insulation displacement connection, knurl material: Zinc die-cast, nickel-plated, external cable diameter 5 mm ... 9.7 mm

Your advantages

- Safe use in the field, thanks to a high degree of protection
- Insulation displacement connection: innovative and time-saving assembly without stripping the single wire
- Reliable signal transmission - 360° shielding in environments with electromagnetic interference

Connector - SACC-MS-4QO-0,75 SH SCO



1413993

<https://www.phoenixcontact.com/pc/products/1413993>

Commercial Data

Item number	1413993
Packing unit	1 pc
Minimum order quantity	1 pc
Product Key	BF2CDA
Catalog Page	Page 21 (C-2-2019)
GTIN	4055626013190
Weight per Piece (including packing)	39.4 g
Weight per Piece (excluding packing)	39.4 g
Customs tariff number	85366990
Country of origin	DE

Connector - SACC-MS-4QO-0,75 SH SCO



1413993

<https://www.phoenixcontact.com/pc/products/1413993>

Technical Data

Notes

Assembly instruction:

NOTE: Observe the permissible bending radii when laying conductors, since the degree of protection may be put in jeopardy if the bending forces are too high. Alleviate mechanical loads upstream of the connector, e.g. by using cable ties.

Product properties

Product type	Circular connector (cable-side)
Number of positions	4
No. of cable outlets	1
Shielded	yes
Coding	A - standard
Cable outlet	straight

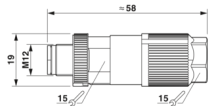
Insulation characteristics

Overvoltage category	II
Degree of pollution	3

Ambient conditions

Degree of protection	IP65 IP67
Ambient temperature (operation)	-40 °C ... 85 °C (Plug / socket)
Ambient temperature (assembly)	-5 °C ... 50 °C

Dimensions

Dimensional drawing	
Width	19 mm
Height	19 mm
Length	58 mm

External dimensions

Outside diameter	5 mm ... 9.7 mm
------------------	-----------------

Housing

Diameter housing	19 mm
------------------	-------

Connector

Insertion/withdrawal cycles	≥ 100
-----------------------------	-------

Header 1

Connector - SACC-MS-4QO-0,75 SH SCO



1413993

<https://www.phoenixcontact.com/pc/products/1413993>

Head design	Plug
Head cable outlet	straight
Head thread type	M12
Head locking type	SPEEDCON
Coding	A-coded
Number of positions	4
Coding	A - standard
Insertion/withdrawal cycles	≥ 100
Connection method	Insulation displacement connection
Contact material	CuSn
Contact surface material	Ni/Au
Number of positions	4
Coding	A - standard
Insertion/withdrawal cycles	≥ 100
Connection method	Insulation displacement connection
Contact material	CuSn
Contact surface material	Ni/Au

Electrical properties

Rated surge voltage	2.5 kV
Insulation resistance	≥ 100 MΩ
Nominal voltage U_N	250 V AC
	250 V DC
Nominal current I_N	4 A

Material specifications

Flammability rating according to UL 94	V0
Sealing material	NBR
Material of grip body	Zinc die-cast, nickel-plated
Contact material	CuSn
Contact surface material	Ni/Au
Contact carrier material	PA 6.6
Cable gland material	Zinc die-cast, nickel-plated
Standards/regulations	PA 6.6: Fire protection in rail vehicles - requirement sets R22, R23, R24, and R26 acc. to DIN EN 45545-2 (Risk level HL1 - HL3)
Wire insulation material	PVC / PE / PP / rubber

Connection data

Conductor connection

Connection method	Insulation displacement connection
Conductor cross section flexible	0.14 mm ² ... 0.75 mm ²
Cross section AWG	26 ... 18

Pin assignment

Connector - SACC-MS-4QO-0,75 SH SCO



1413993

<https://www.phoenixcontact.com/pc/products/1413993>

Contact Color (signal designation) Contact (optional)	1 = BN
	2 = WH
	3 = BU
	4 = BK

Mounting

Assembly instructions	If the conductor is to be reconnected, it must be cut off above the last contact point.
-----------------------	---

Standards and regulations

Testing

Standards/regulations	PA 6.6: Fire protection in rail vehicles - requirement sets R22, R23, R24, and R26 acc. to DIN EN 45545-2 (Risk level HL1 - HL3)
-----------------------	--

M12

Standards/specifications	according to IEC 61076-2-101
--------------------------	------------------------------

M12

Standards/specifications	EN 50155:2001
--------------------------	---------------

Cable / line

Cable structure

Signal type/category	Universal
----------------------	-----------

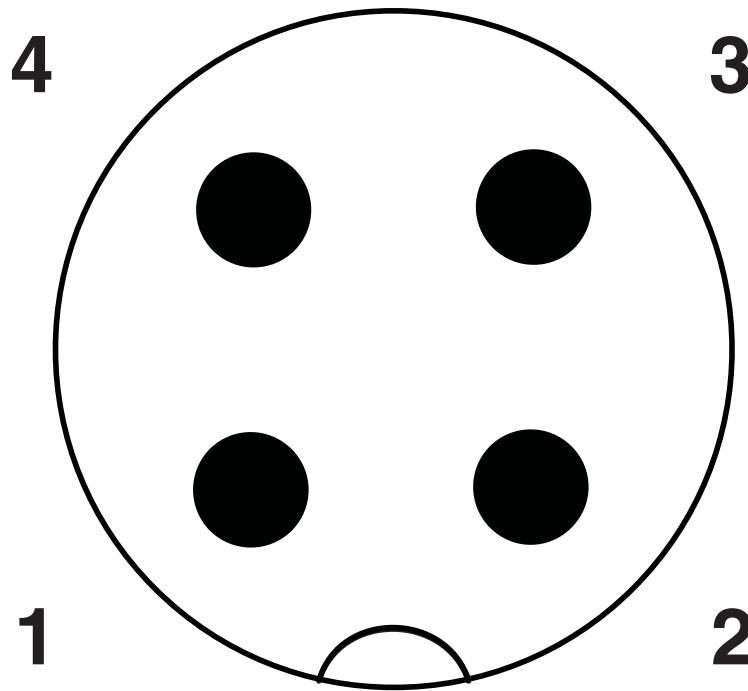
Connector - SACC-MS-4QO-0,75 SH SCO

1413993

<https://www.phoenixcontact.com/pc/products/1413993>

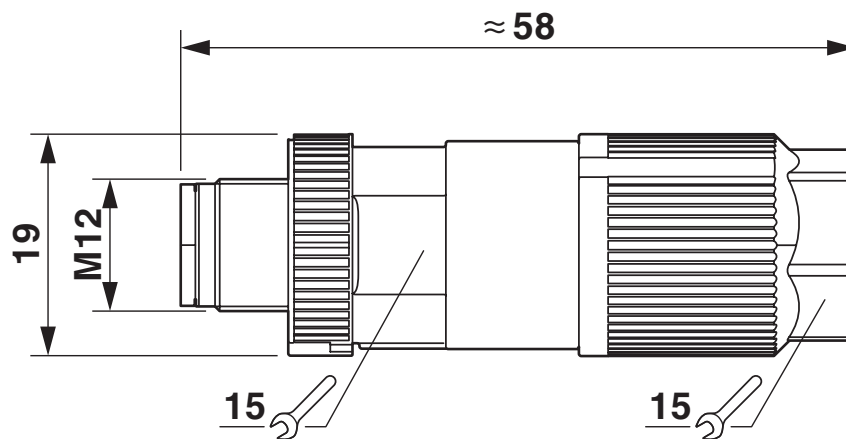
Drawings

Schematic diagram



Pin assignment M12 plug, 4-pos., A-coded, view plug side

Dimensional drawing



Plug, M12 x 1, straight, shielded

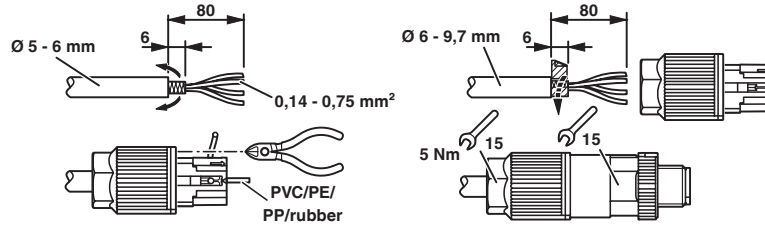
Connector - SACC-MS-4QO-0,75 SH SCO



1413993

<https://www.phoenixcontact.com/pc/products/1413993>

Functional drawing



Connector - SACC-MS-4QO-0,75 SH SCO



1413993

<https://www.phoenixcontact.com/pc/products/1413993>

Approvals



EAC

Approval ID: RU C-DE.BL08.B.00511

Connector - SACC-MS-4QO-0,75 SH SCO



1413993

<https://www.phoenixcontact.com/pc/products/1413993>

Classifications

ECLASS

ECLASS-9.0	27440102
ECLASS-10.0.1	27440102
ECLASS-11.0	27440102

ETIM

ETIM 8.0	EC002635
----------	----------

UNSPSC

UNSPSC 21.0	39121400
-------------	----------

Connector - SACC-MS-4QO-0,75 SH SCO



1413993

<https://www.phoenixcontact.com/pc/products/1413993>

Environmental Product Compliance

China RoHS	Environmentally friendly use period: unlimited = EFUP-e
	No hazardous substances above threshold values

Connector - SACC-MS-4QO-0,75 SH SCO



1413993

<https://www.phoenixcontact.com/pc/products/1413993>

Accessories

Shielding foil

Shielding foil - VS-08-RJ45-FOLIEN-SET - 1417184

<https://www.phoenixcontact.com/pc/products/1417184>

Shielding foil set, 25 pieces, replacement for RJ45 and M12 Quickon connector



Diagonal cutter

Diagonal cutter - MICROFOX-SB - 1212489

<https://www.phoenixcontact.com/pc/products/1212489>

Electronic diagonal cutter, round head, without chamfer, with opening spring, mirror-polished and oiled, 2-component grip, cutting capacity: soft 0.2 - 2.0 mm; medium hard 1.2 mm; hard 0.5 mm diameter



Connector - SACC-MS-4QO-0,75 SH SCO



1413993

<https://www.phoenixcontact.com/pc/products/1413993>

Stripping tool

Stripping tool - WIREFOX-D 40 - 1212161

<https://www.phoenixcontact.com/pc/products/1212161>



Stripping tool, for stripping cables of 4.5 mm - 40 mm-Ø, insulation thickness of up to 4.5 mm, pivoting blade for round, lengthwise, and spiral cuts

Stripping tool

Stripping tool - VS-CABLE-STRIP-VARIO - 1657407

<https://www.phoenixcontact.com/pc/products/1657407>

Stripping tool, for the multi-level stripping of shielded cables



Connector - SACC-MS-4QO-0,75 SH SCO



1413993

<https://www.phoenixcontact.com/pc/products/1413993>

Torque screwdriver

Torque screwdriver - TSD 04 SAC - 1208429

<https://www.phoenixcontact.com/pc/products/1208429>



Torque screwdriver, with preset torque of 0.4 Nm and 4 mm hexagonal drive for M12 connectors

Torque screwdriver

Torque screwdriver - TSD-M 1,2NM - 1212224

<https://www.phoenixcontact.com/pc/products/1212224>



Torque screw driver, accuracy as per EN ISO 6789 standard, adjustable from 0.3 - 1.2 Nm

Connector - SACC-MS-4QO-0,75 SH SCO



1413993

<https://www.phoenixcontact.com/pc/products/1413993>

Adapter insert

Adapter insert - TSD-M SAC-BIT ADAPTER - 1212600

<https://www.phoenixcontact.com/pc/products/1212600>



Adapter bit for TSD-M...torque tools, E6.3-1/4" drive with 4 mm hexagon to accommodate SAC bits

Sealing cap

Sealing cap - PROT-M12 FS-PA-CHAIN - 1430873

<https://www.phoenixcontact.com/pc/products/1430873>



M12 sealing cap made of plastic with fixing band, for sensor cables, for free M12 plugs

Connector - SACC-MS-4QO-0,75 SH SCO



1413993

<https://www.phoenixcontact.com/pc/products/1413993>

Tool

Tool - SACC BIT M12-D20 - 1208445

<https://www.phoenixcontact.com/pc/products/1208445>

Nut for assembling M12 connectors for assembly with a knurl diameter of 20 mm, for 4 mm hexagonal drive



Phoenix Contact 2022 © - all rights reserved

<https://www.phoenixcontact.com>

PHOENIX CONTACT GmbH & Co. KG

Flachsmarktstraße 8

D-32825 Blomberg

+49 (0) 5235-3 00

info@phoenixcontact.com