

# Data connector - SACC-MSD-4QO SH ETH SCO



1411066

<https://www.phoenixcontact.com/pc/products/1411066>

Please be informed that the data shown in this PDF document is generated from our Online Catalog. Please find the complete data in the user documentation. Our General Terms of Use for Downloads are valid.

---



Data connector, Ethernet CAT5 (100 Mbps), 4-position, halogen-free, shielded, Plug straight M12 SPEEDCON, Coding: D, Insulation displacement connection, knurl material: Zinc die-cast, nickel-plated, external cable diameter 5 mm ... 9.7 mm

---

## Your advantages

- Safe use in the field, thanks to a high degree of protection
- Insulation displacement connection: innovative and time-saving assembly without stripping the single wire
- Reliable signal transmission - 360° shielding in environments with electromagnetic interference
- Save time, thanks to installation with SPEEDCON fast locking system

# Data connector - SACC-MSD-4QO SH ETH SCO



1411066

<https://www.phoenixcontact.com/pc/products/1411066>

## Commercial Data

Item number	1411066
Packing unit	1 pc
Minimum order quantity	1 pc
Product Key	BF2CDI
Catalog Page	Page 201 (C-6-2019)
GTIN	4046356921787
Weight per Piece (including packing)	40 g
Weight per Piece (excluding packing)	39.5 g
Customs tariff number	85366990
Country of origin	DE

## Technical Data

### Notes

Assembly instruction:

**NOTE:** Observe the permissible bending radii when laying conductors, since the degree of protection may be put in jeopardy if the bending forces are too high. Alleviate mechanical loads upstream of the connector, e.g. by using cable ties.

### Product properties

Product type	Circular connector (cable-side)
Number of positions	4
No. of cable outlets	1
Shielded	yes
Coding	D - data
Cable outlet	straight

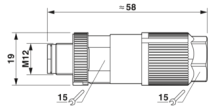
### Insulation characteristics

Overvoltage category	II
Degree of pollution	3

### Ambient conditions

Degree of protection	IP65 IP67
Ambient temperature (operation)	-40 °C ... 85 °C (Plug / socket)
Ambient temperature (assembly)	-5 °C ... 50 °C

### Dimensions

Dimensional drawing	
Length	58 mm

### External dimensions

Outside diameter	5 mm ... 9.7 mm
------------------	-----------------

### Housing

Diameter housing	19 mm
------------------	-------

### Connector

Insertion/withdrawal cycles	≥ 100
-----------------------------	-------

### Header 1

Head design	Plug
Head cable outlet	straight

# Data connector - SACC-MSD-4QO SH ETH SCO



1411066

<https://www.phoenixcontact.com/pc/products/1411066>

Head thread type	M12
Head locking type	SPEEDCON
Coding	D-coded
Number of positions	4
Coding	D - data
Insertion/withdrawal cycles	≥ 100
Connection method	Insulation displacement connection
Contact material	CuSn
Contact surface material	Ni/Au
Number of positions	4
Coding	D - data
Insertion/withdrawal cycles	≥ 100
Connection method	Insulation displacement connection
Contact material	CuSn
Contact surface material	Ni/Au

## Electrical properties

Rated surge voltage	0.8 kV
Insulation resistance	≥ 100 MΩ
Nominal voltage U <sub>N</sub>	48 V AC
	60 V DC
Nominal current I <sub>N</sub>	4 A

## Material specifications

Flammability rating according to UL 94	V0
Sealing material	NBR
Material of grip body	Zinc die-cast, nickel-plated
Contact material	CuSn
Contact surface material	Ni/Au
Contact carrier material	PA 6.6
Cable gland material	Zinc die-cast, nickel-plated
Standards/regulations	PA 6.6: Fire protection in rail vehicles - requirement sets R22, R23, R24, and R26 acc. to DIN EN 45545-2 (Risk level HL1 - HL3)
Wire insulation material	PVC / PE / PP / rubber

## Connection data

### Conductor connection

Connection method	Insulation displacement connection
Conductor cross section flexible	0.14 mm <sup>2</sup> ... 0.34 mm <sup>2</sup>
Cross section AWG	26 ... 22

### Pin assignment

Contact   Color (signal designation)   Contact (optional)	1 = WHOG
	2 = OG

# Data connector - SACC-MSD-4QO SH ETH SCO



1411066

<https://www.phoenixcontact.com/pc/products/1411066>

	3 = WHGN
	4 = GN

## Standards and regulations

### Testing

Standards/regulations	PA 6.6: Fire protection in rail vehicles - requirement sets R22, R23, R24, and R26 acc. to DIN EN 45545-2 (Risk level HL1 - HL3)
-----------------------	--

### M12

Standards/specifications	according to IEC 61076-2-101
--------------------------	------------------------------

### M12

Standards/specifications	EN 50155:2001
--------------------------	---------------

## Cable / line

### Cable structure

Signal type/category	Ethernet CAT5 (on the basis of IEC 11801), 100 Mbps
----------------------	---

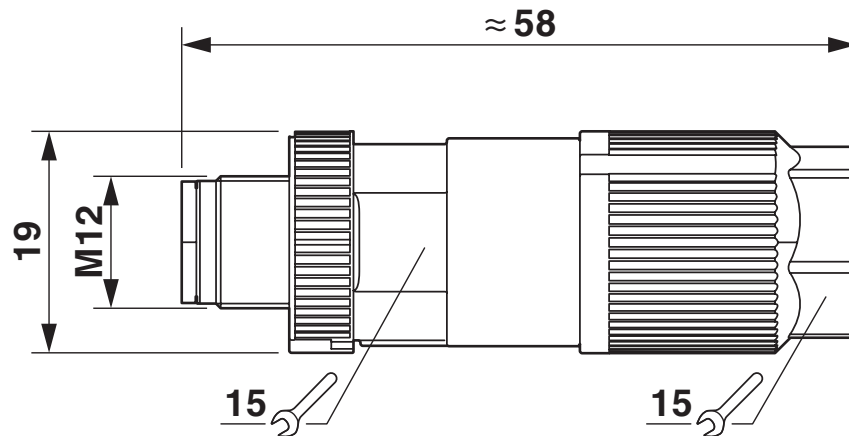
# Data connector - SACC-MSD-4QO SH ETH SCO

1411066

<https://www.phoenixcontact.com/pc/products/1411066>

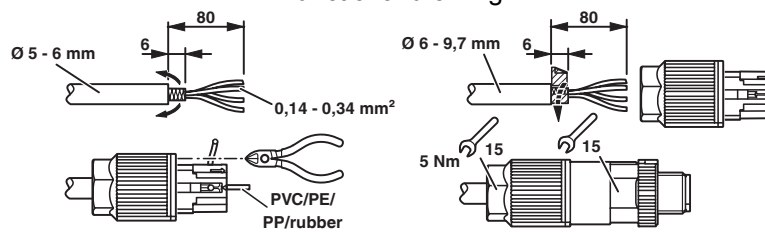
## Drawings

Dimensional drawing



Plug, M12 x 1, straight, shielded

Functional drawing



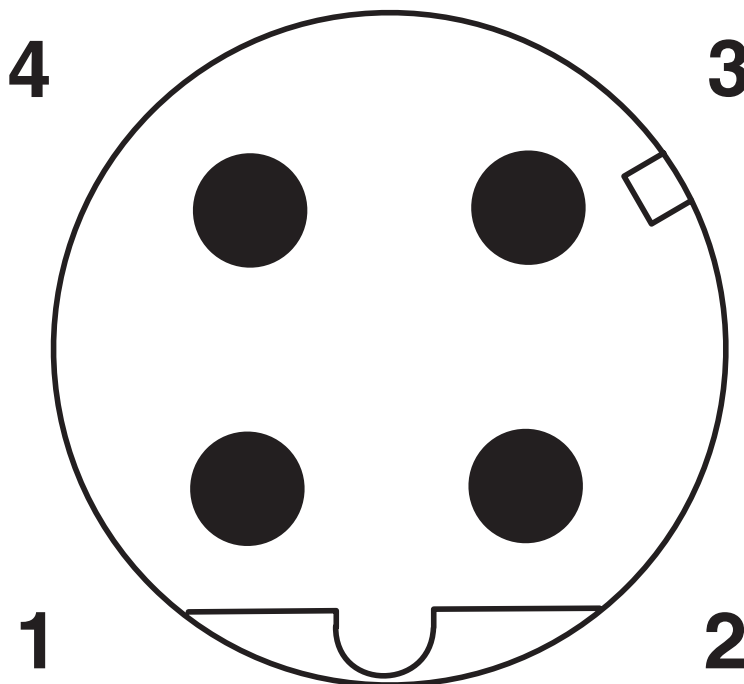
# Data connector - SACC-MSD-4QO SH ETH SCO

1411066

<https://www.phoenixcontact.com/pc/products/1411066>



Schematic diagram



Pin assignment M12 male connector, 4-pos., D-coded, male side

# Data connector - SACC-MSD-4QO SH ETH SCO



1411066

<https://www.phoenixcontact.com/pc/products/1411066>

## Approvals



**EAC**

Approval ID: RU C-DE.BL08.B.00511



1411066

<https://www.phoenixcontact.com/pc/products/1411066>

## Classifications

### ECLASS

ECLASS-9.0	27440102
ECLASS-10.0.1	27440102
ECLASS-11.0	27440102

### ETIM

ETIM 8.0	EC002635
----------	----------

### UNSPSC

UNSPSC 21.0	39121400
-------------	----------

# Data connector - SACC-MSD-4QO SH ETH SCO



1411066

<https://www.phoenixcontact.com/pc/products/1411066>

## Environmental Product Compliance

China RoHS	Environmentally friendly use period: unlimited = EFUP-e No hazardous substances above threshold values
------------	---

# Data connector - SACC-MSD-4QO SH ETH SCO



1411066

<https://www.phoenixcontact.com/pc/products/1411066>

## Accessories

### Shielding foil

Shielding foil - VS-08-RJ45-FOLIEN-SET - 1417184

<https://www.phoenixcontact.com/pc/products/1417184>

Shielding foil set, 25 pieces, replacement for RJ45 and M12 Quickon connector



---

### Network cable

Network cable - VS-OE-OE-93E/... - 1417320

<https://www.phoenixcontact.com/pc/products/1417320>

Network cable, Ethernet CAT5 (100 Mbps), 4-position halogen-free, shielded, free cable end, on free cable end, cable length: Free input (0.5 ... 100 m)



# Data connector - SACC-MSD-4QO SH ETH SCO



1411066

<https://www.phoenixcontact.com/pc/products/1411066>

## Diagonal cutter

Diagonal cutter - MICROFOX-SB - 1212489

<https://www.phoenixcontact.com/pc/products/1212489>



Electronic diagonal cutter, round head, without chamfer, with opening spring, mirror-polished and oiled, 2-component grip, cutting capacity: soft 0.2 - 2.0 mm; medium hard 1.2 mm; hard 0.5 mm diameter

---

## Stripping tool

Stripping tool - WIREFOX-D 40 - 1212161

<https://www.phoenixcontact.com/pc/products/1212161>



Stripping tool, for stripping cables of 4.5 mm - 40 mm-Ø, insulation thickness of up to 4.5 mm, pivoting blade for round, lengthwise, and spiral cuts

# Data connector - SACC-MSD-4QO SH ETH SCO



1411066

<https://www.phoenixcontact.com/pc/products/1411066>

## Stripping tool

Stripping tool - VS-CABLE-STRIP-VARIO - 1657407

<https://www.phoenixcontact.com/pc/products/1657407>

Stripping tool, for the multi-level stripping of shielded cables



---

## Torque screwdriver

Torque screwdriver - TSD 04 SAC - 1208429

<https://www.phoenixcontact.com/pc/products/1208429>

Torque screwdriver, with preset torque of 0.4 Nm and 4 mm hexagonal drive for M12 connectors



# Data connector - SACC-MSD-4QO SH ETH SCO



1411066

<https://www.phoenixcontact.com/pc/products/1411066>

## Torque screwdriver

Torque screwdriver - TSD-M 1,2NM - 1212224

<https://www.phoenixcontact.com/pc/products/1212224>



Torque screw driver, accuracy as per EN ISO 6789 standard, adjustable from 0.3 - 1.2 Nm

---

## Adapter insert

Adapter insert - TSD-M SAC-BIT ADAPTER - 1212600

<https://www.phoenixcontact.com/pc/products/1212600>



Adapter bit for TSD-M...torque tools, E6.3-1/4" drive with 4 mm hexagon to accommodate SAC bits

# Data connector - SACC-MSD-4QO SH ETH SCO



1411066

<https://www.phoenixcontact.com/pc/products/1411066>

## Sealing cap

Sealing cap - PROT-M12 FS-PA-CHAIN - 1430873

<https://www.phoenixcontact.com/pc/products/1430873>

M12 sealing cap made of plastic with fixing band, for sensor cables, for free M12 plugs



---

## Tool

Tool - SACC BIT M12-D20 - 1208445

<https://www.phoenixcontact.com/pc/products/1208445>

Nut for assembling M12 connectors for assembly with a knurl diameter of 20 mm, for 4 mm hexagonal drive



---

Phoenix Contact 2022 © - all rights reserved  
<https://www.phoenixcontact.com>

PHOENIX CONTACT GmbH & Co. KG  
Flachsmarktstraße 8  
D-32825 Blomberg  
+49 (0) 5235-3 00  
[info@phoenixcontact.com](mailto:info@phoenixcontact.com)